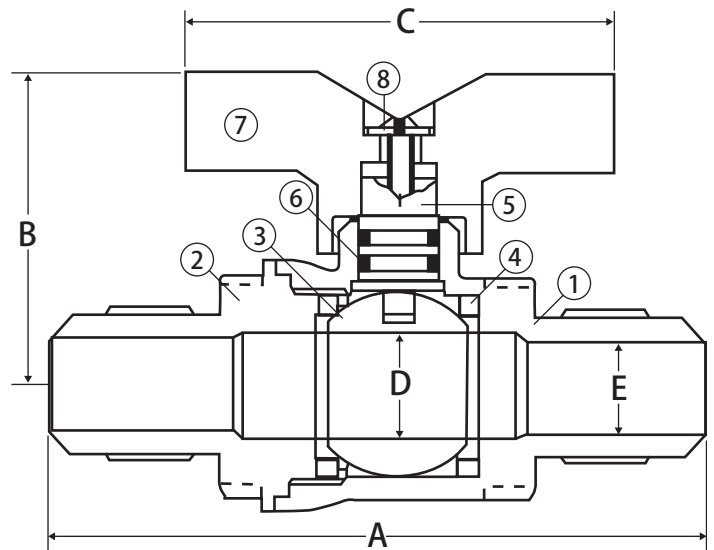


Gas Ball Valve

2 Piece • Flare Connection • 600 WOG



T-204 FL x FL



Material Specifications

No.	Part	Materials
1	Body	Brass - CW617N
2	End Connection	Brass - CW617N
3	Ball	Chrome Plated Brass - CW614N
4	Seat (2)	PTFE
5	Stem	Brass - CW614N
6	Stem O-ring (2)	Viton®
7	Handle	Aluminum
8	Handle Screw	Steel - Geomet® Plated

Features

- Valve can be locked in the closed position by reversing the handle
- 2 Viton® o-rings
- 100% leak tested
- Made in Italy
- Leakproof stem - Lifetime Warranty

Approvals

- UL Listed
 - YQNZ - Compressed gas shut-off valves
 - YRPV - Gas shut-off valves
 - YSDT - LP gas shut-off valves
 - MHKZ - Manual valves
 - YRBX - Flammable liquid shut-off valves
 - SFJQ - Valves, refrigerant
- CSA Certified
 - ANSI Z21.15 (.5 PSIG)
 - ASME B16.44 (5 PSI)
 - CGA CR91 (5 PSIG)
- Threads conform to ANSI B1.20.1

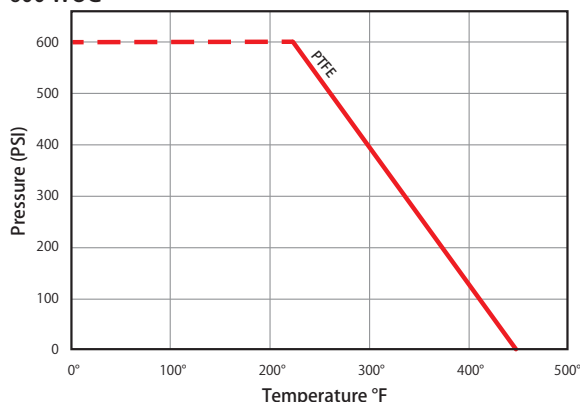
Dimensions

Part No.	Size	A	B	C	D	E
T-handle						
101-601	1/2" FL x 3/8" FL	2.98	1.63	2.32	0.47	0.40
101-602	3/8" FL x 3/8" FL	2.81	1.63	2.32	0.47	0.28
101-603	1/2" FL x 1/2" FL	3.14	1.63	2.32	0.47	0.40
101-604	5/8" FL x 5/8" FL	3.45	1.69	2.32	0.59	0.50

Teardrop Handle

101-612	3/8" FL x 3/8" FL	2.81	1.40	1.97	0.47	0.28
101-613	1/2" FL x 1/2" FL	3.14	1.40	1.97	0.47	0.40
101-614	5/8" FL x 5/8" FL	3.45	1.46	1.97	0.59	0.50

Valve Seat Rating 600 WOG



Note: Information subject to change without notice.