

## Features

- For use with the K-18829 2" x 4" in-wall tank and carrier system
- Dual-flush actuator offers a choice of 0.8 or 1.6 gpf (3.0 or 6.0 lpf)
- Large flush actuator plate opening can be removed for easy access to inner tank

## Installation

- See installation guide for more detailed information

## Water Conservation & Rebates

- Eligible for consumer rebates in some municipalities

## Recommended Products/Accessories

K-18829 2" x 4" In-wall tank and carrier system  
K-23723 Faucet cleaner



## Codes/Standards



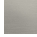
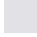
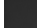
None Applicable

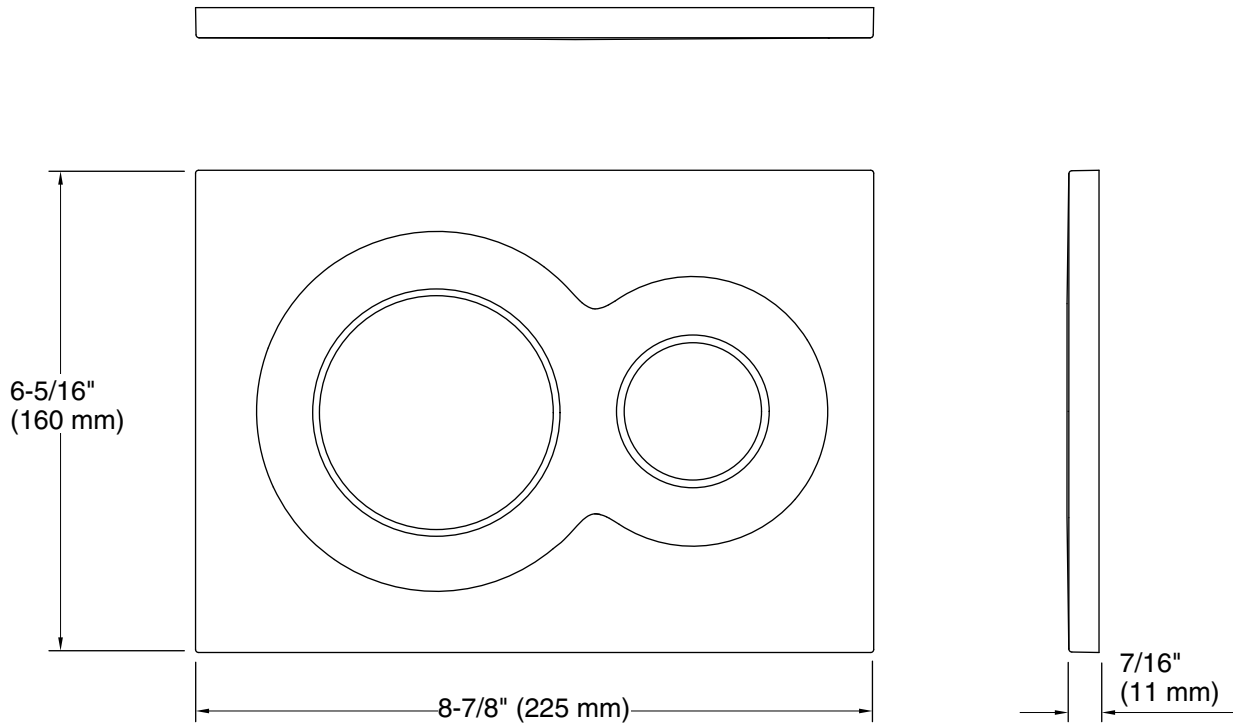
## KOHLER® Toilets and Seats Limited Warranty

See website for detailed warranty information.

## Available Colors/Finishes

*Color tiles intended for reference only.*

Color	Code	Description
	CP	Polished Chrome
	AF	Vibrant® French Gold
	BN	Vibrant® Brushed Nickel
	0	White
	7	Black Black™



### Technical Information

All product dimensions are nominal.

Material: Plastic

### Notes

Install this product according to the installation guide.