



F1960 Cold Expansion Pex Fittings

PRODUCTS FEATURES

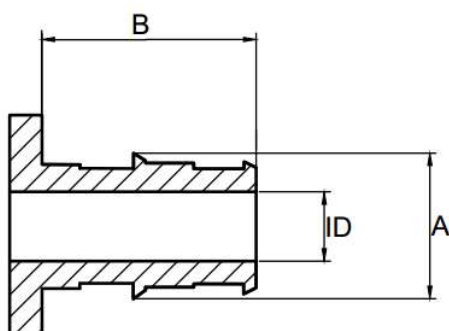


- Material: Polyphenylsulfone (PPSU)
- Connects to PEX-A pipe with expansions rings
- 100% Lead Free, corrosion resistant, lighter Weight higher durability
- Accordance with ASTM F1960
- Used in a potable water or radiant heating/cooling System
- Working temperature: not to exceed 80 psi at 200°F, 100 psi at 180°F, or 160 psi at 73.4°F
- IAMPO listed and NSF/ANSI 61 listed



Model No.	Description	Model No.	Description
90° Elbow		Reducing Tee	
4PRO12CEP90	1/2" x 1/2"	4PRO34.12.12CEPT	3/4" x 1/2" x 1/2"
4PRO34CEP90	3/4" x 3/4"	4PRO34.12.34CEPT	3/4" x 1/2" x 3/4"
4PRO1CEP90	1" x 1"	4PRO34.12CEPT	3/4" x 3/4" x 1/2"
Tee		Plug	
4PRO12CEPT	1/2" x 1/2" x 1/2"	4PRO12CEPP	1/2"
4PRO34CEPT	3/4" x 3/4" x 3/4"	4PRO34CEPP	3/4"
Coupling			
4PRO12CEPCOUP	1/2" x 1/2"		
4PRO34.12CEPCOUP	1/2" x 3/4"		
4PRO34CEPCOUP	3/4" x 3/4"		

Dimensions



Unit: inches

Size	Min.ID	A	B
1/2" PEX	≥0.38	0.61-0.618	0.689-0.749
3/4" PEX	≥0.59	0.866-0.874	0.925-0.985
1" PEX	≥0.79	1.102-1.11	1.161-1.221