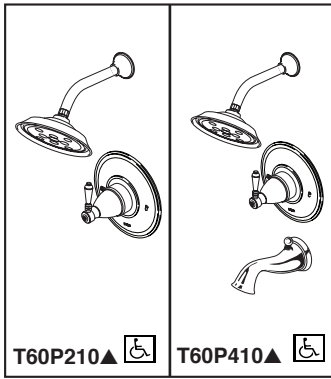


BRIZO®

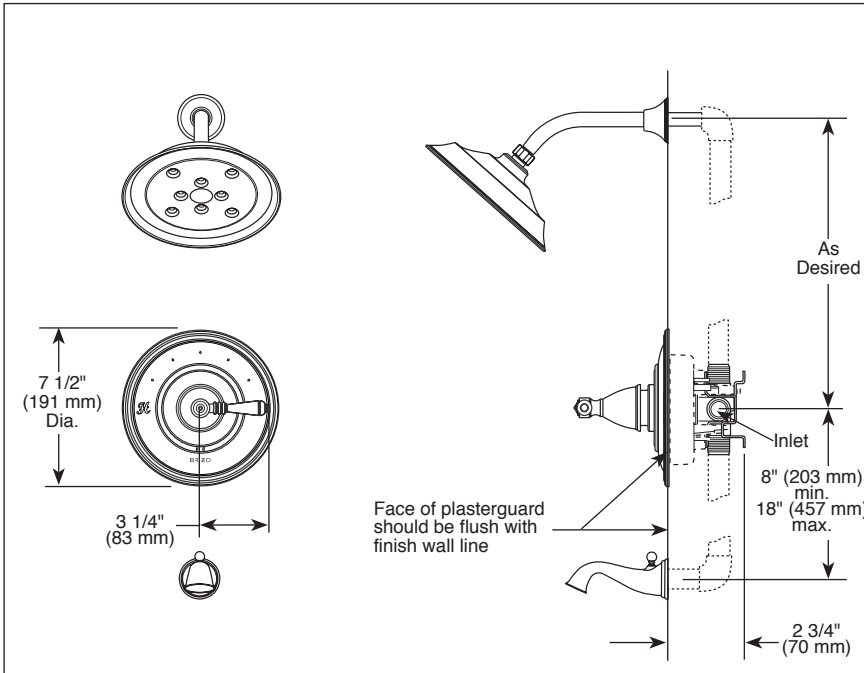
TUB AND SHOWER FAUCET TRIM

- Traditional Bath Collection
- Shower Only (T60P210)
- Tub/Shower (T60P410)



Submitted Model No.: _____

Specific Features: _____



FEATURES:

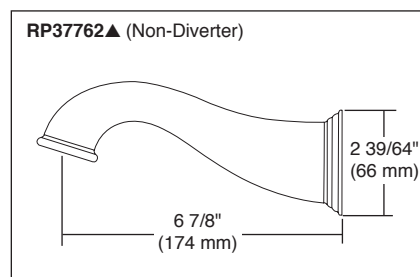
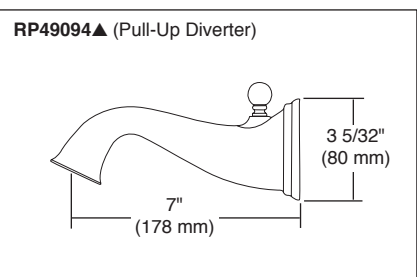
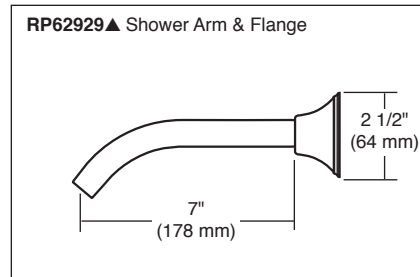
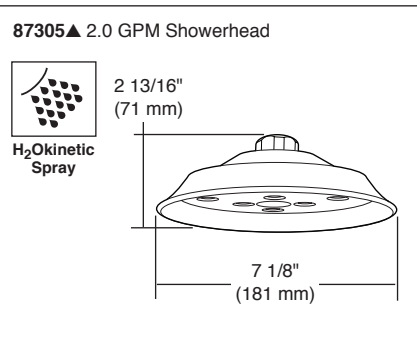
- Monitor® 14 Series pressure balanced bath mixing valve with Scald-Guard®

STANDARD SPECIFICATIONS:

- Maintains a balanced pressure of hot and cold water even when a valve is turned on or off elsewhere in the system
- For use with MultiChoice® Universal rough valve body (R60000 Series)
- Back-to-back installation capability
- Solid brass fabricated body
- Temperature only controlled with handle
- Field adjustable to limit handle rotation into hot water zone
- 120° maximum handle rotation
- All parts replaceable from the front of the valve
- H₂Okinetic® single function showerhead - 2.0 gpm @ 80 psi

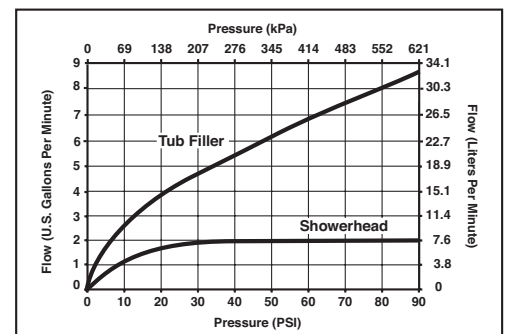
WARRANTY

- Lifetime limited warranty on parts (other than electronic parts and batteries) and finishes; or, for commercial users, for 5 years from date of purchase.
- 5 year limited warranty on electronic parts (other than batteries); or, for commercial users, for 1 year from the date of purchase. No warranty is provided on batteries.



COMPLIES WITH:

- ASME A112.18.1 / CSA B125.1
- ASSE 1016
- Indicates compliance to ICC/ANSI A117.1 - Valve control only
- EPA WaterSense®



▲ Designate proper finish suffix

Brizo Kitchen & Bath Company reserves the right (1) to make changes in specifications and materials, and (2) to change or discontinue models, both without notice or obligation. Dimensions are for reference only. See current full-line price book or www.brizo.com for finish options and product availability.

BSP-B-T60P210 Rev. F

Brizo Kitchen & Bath Company

Indianapolis, Indiana 46280
A Division of Masco Corporation of Indiana
© 2015 Brizo Kitchen & Bath Company