

Features

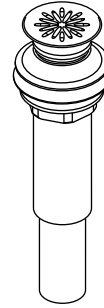
- Brass construction
- 1-1/4" outside diameter connection
- Without overflow
- Decorative trim cap designs

Codes/Standards Applicable

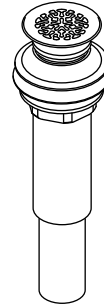
Specified model meets or exceeds the following:

- ASME A112.18.2/CSA B125.2

DECORATIVE DRAINS
K-7107
ALSO K-7108



K-7107



K-7108

Colors/Finishes

- CP: Polished Chrome
- Other: Refer to Price Book for additional colors/finishes

Specified Model:

Model	Description	Colors/Finishes	
K-7107	Decorative bathroom sink drain	<input type="checkbox"/> CP	<input type="checkbox"/> Other _____
K-7108	Decorative bathroom sink drain	<input type="checkbox"/> CP	<input type="checkbox"/> Other _____

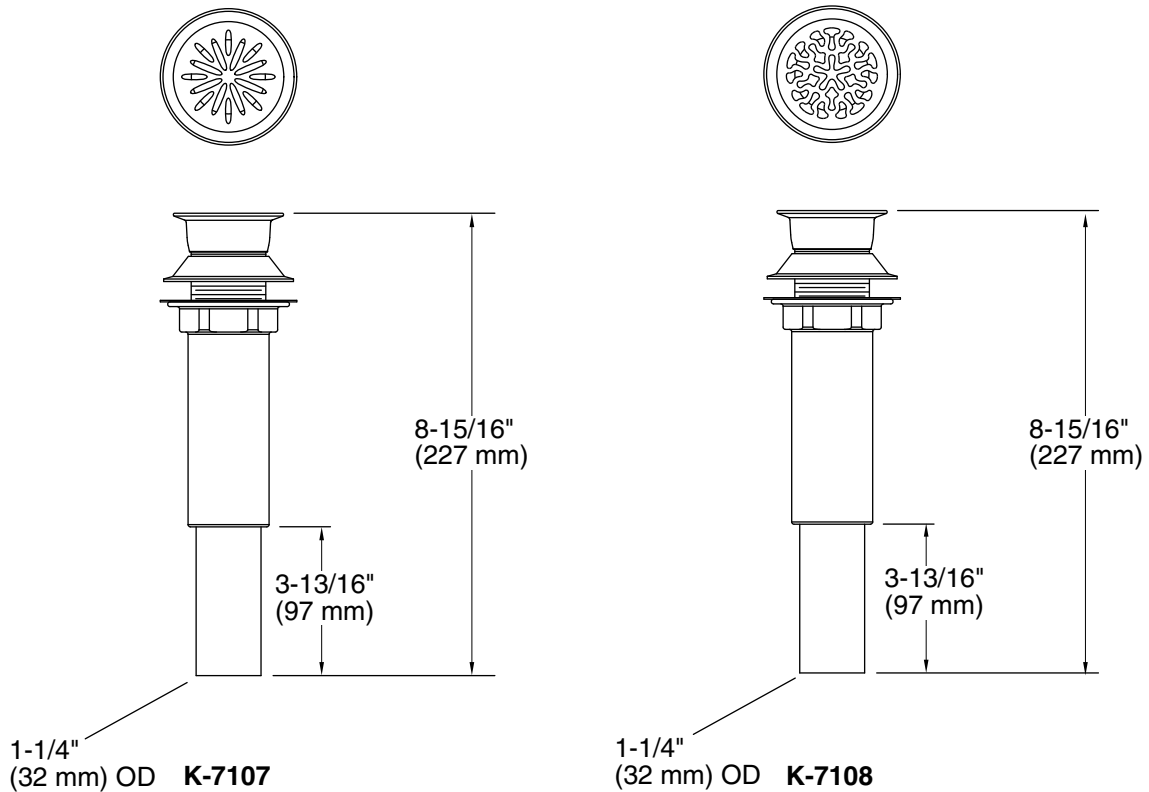
PRODUCT SPECIFICATION

Bathroom sink drain without overflow shall be of brass construction. Drain shall feature a 1-1/4" outside diameter connection and decorative trim cap designs. Drain shall be Kohler Model K-____-____.

Installation Notes

Install this product according to the installation guide.

A thin gasket and a thick gasket are provided with the drain. Use the thin gasket when installing the drain to bathroom sink with a thick wall [3-1/2" (89 mm) maximum thickness], such as vitreous china or cast iron. Use the thick gasket when installing the drain to bathroom sink with a thin wall, such as stainless steel or copper.



Product Diagram