




Location:



5503-TRM, 5503TRMTC
Hand Shower Trim
Specification Submittal

Feature Highlights	Options/Modifications
<ul style="list-style-type: none">• Elm Hand Shower Trim• Requires Temptrol® Pressure Balancing Shower Valve• Metal lever handle• Cradle for hand shower wand• Dual checks for backflow protection• 60" flexible metal hose• 3 mode hand shower wand• 2.0 gpm (7.6 L/min) flow restrictor• Tub spout not included• Components shall be metal and nonmetallic construction, plated in standard Polished Chrome finish• Available with TA-10 flow control spindle and T-12A cap assembly for Temptrol valve bodies installed with Test Cap (order p/n 5503TRMTC)• For optional in-line vacuum breaker order p/n EF-109	<ul style="list-style-type: none"><input type="checkbox"/> -1.5  1.5 gpm (5.7 L/min) flow restrictor<input type="checkbox"/> -L2 Less hand shower wand<input type="checkbox"/> -SBZ Seasoned Bronze<input type="checkbox"/> -STN Satin Nickel finish <p>Note: Append appropriate -suffix to model number.</p>
Model Numbers	Compliance
<ul style="list-style-type: none"><input type="checkbox"/> 5503-TRM Hand Shower Trim, Temptrol Pressure Balancing Shower Valve ordered separately<input type="checkbox"/> 5503TRMTC Hand Shower Trim with TA-10 flow control spindle and T-12A cap assembly, must order Temptrol valve with Test Cap	<ul style="list-style-type: none">• ASME A112.18.1/CSA B125.1  Warranty Limited Lifetime - to the original end purchaser in consumer/residential installations. 10 Years - for commercial/industrial installations. Refer to www.symmons.com/warranty for complete warranty information. 

Architectural/ Engineering Specification

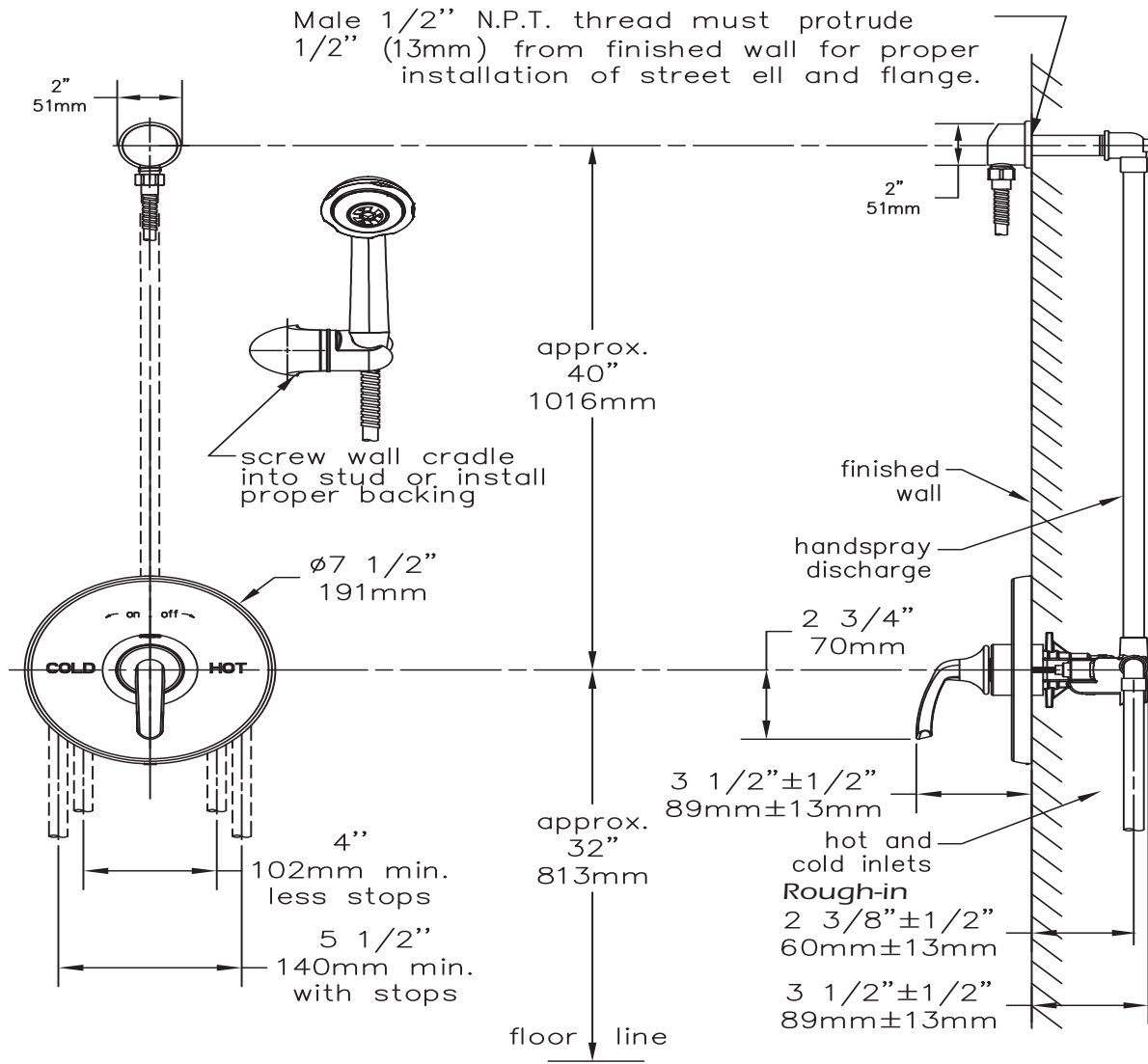
Symmons _____ With Elm hand Shower Trim, requires Temptrol® pressure balancing shower valve, metal lever handle, Cradle for hand shower wand, Dual checks for backflow protection, 60" flexible metal hose, 3 mode hand shower wand, 2.0 gpm (7.6 L/min) flow restrictor, Tub spout not included, components shall be metal and nonmetallic construction, plated in standard Polished Chrome finish, available with TA-10 flow control spindle and T-12A cap assembly for Temptrol valve bodies installed with Test Cap (order p/n 5503TRMTC), For optional in-line vacuum breaker order p/n EF-109. 10 Year commercial Warranty. ASME A112.18.1/CSA B125.1, Complaint. Available options include "1.5 - 1.5 gpm (5.7 L/min) flow restrictor", "L2 - Less hand shower wand", "SBZ - Seasoned Bronze", "STN - Satin nickel finish".



SYMMONS[®] Elm[®]

5503-TRM, 5503TRMTC

Dimensions



Notes:

- 1) Valve body and piping not included and shown as reference only.
- 2) Plaster shield (p/n T-176) for dry wall, plaster or other type walls 1/2" or greater.
- 3) All dimensions measured from nominal rough-in.
- 4) Dimensions subject to change without notice.