

# Cast Deckmount Sink Faucets 8" Centers

**TECK<sup>®</sup>**  
COMMERCIAL



### Specification: (example)

- **HEAVY DUTY CAST BRASS** sink faucet
  - 203mm (8") center two handle
  - Polished chrome plated finish
  - **BRASS** swing spout or 3/8" IPS **BRASS PIPE** Rigid/Swivel Gooseneck Spout
  - Metal hold-down package
  - Color indexed metal handles with vandal resistant screws
  - **CER-TECK<sup>®</sup>** 1/4 turn ceramic structures
- and ... with ... (add spout required)  
 with ... (add outlet required)  
 with ... (add handle required)  
 with ... (add suffix **-LS** if required – See Back Page)  
 with ... (add suffix **-TI** if required – See Back Page)

**26C3944**



**26C3133**

### Engineer/Architect Approval

Model Specified:

Approval:

Date:

DESCRIPTION	PRODUCT NO.
<b>CAST Deckmount</b>	<b>26C3</b>



SPOUT		OUTLET		HANDLE	
<b>0</b>	<input type="checkbox"/>	<b>0</b>	<input type="checkbox"/>	<b>0</b>	<input type="checkbox"/>
<b>1</b> 203mm (8") Wallform (S2) Swing Spout (2)	<input type="checkbox"/>	<b>1</b>	<input type="checkbox"/>	<b>1</b> Five Flute Handles	<input type="checkbox"/>
<b>2</b> 203mm (8") Tubular (S5) Swing Spout (2)	<input type="checkbox"/>	<b>2</b> Vandal Resistant 1.5 gpm (5.7 L/min.) Laminar with Agion <sup>®</sup> Antimicrobial	<input type="checkbox"/>	<b>2</b> 102mm (4") Hooded Blade Handles (5)	<input type="checkbox"/>
<b>3</b>	<input type="checkbox"/>	<b>3</b> Vandal Resistant 1.5 gpm (5.7 L/min.) Flow Control Aerator	<input type="checkbox"/>	<b>3</b> 76mm (3") Hooded Lever Handles (5)	<input type="checkbox"/>
<b>4</b>	<input type="checkbox"/>	<b>4</b> Standard 1.5 gpm (5.7 L/min.) Flow Control Aerator	<input type="checkbox"/>	<b>4</b> 102mm (4") Blade Handles, Sanitary Hoods (5)	<input type="checkbox"/>
<b>5</b>	<input type="checkbox"/>	<b>5</b> Vandal Resistant Non-Aerating Spray Outlet 0.5 gpm (1.9 L/min.)	<input type="checkbox"/>	<b>5</b> 152mm (6") Wrist Handles, Sanitary Hoods	<input type="checkbox"/>
<b>6</b>	<input type="checkbox"/>	<b>6</b>	<input type="checkbox"/>	<b>6</b>	<input type="checkbox"/>
<b>7</b>	<input type="checkbox"/>	<b>7</b> Smooth End, Laminar Flow Control in Base of Gooseneck Spout 1.0 gpm (3.8 L/min.) (3)	<input type="checkbox"/>	<b>7</b>	<input type="checkbox"/>
<b>8</b>	<input type="checkbox"/>	<b>8</b>	<input type="checkbox"/>	<b>8</b>	<input type="checkbox"/>
<b>9</b> <b>Heavy Duty</b> 152mm (6") Bend Rigid/Swivel (R4) Gooseneck Spout (1) (4)	<input type="checkbox"/>	<b>9</b>	<input type="checkbox"/>	<b>9</b>	<input type="checkbox"/>

(1) Available **Optional Rigid/Swivel Spouts**. These spouts can ONLY be added to **SPOUT Option No. 9**. Note: Use this page front and back as a product submittal sheet. Flow Rates are at 60 PSI.  
 (2) Available **Optional Swing Spouts**. These spouts can ONLY be added to **SPOUT Option No. 2**. Refer to [www.specselect.com](http://www.specselect.com) for individual models.  
 (3) This outlet can ONLY be added to **SPOUT Option No. 9**. (4) 120° Limited Swing Spout available. Add Suffix **-LS**. (5) H/C Temperature Indicator Available. Add Suffix **-TI**.

Delta reserves the right (1) to make changes in specifications and materials, and (2) to change or discontinue models, both without notice or obligation. Dimensions are for reference only. See current full-line price book or [www.specselect.com](http://www.specselect.com) for finish options and product availability.

DSP-26C Rev. A



**TECK<sup>®</sup>**  
COMMERCIAL

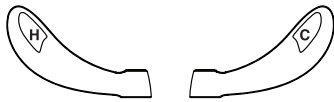
# Cast Deckmount Sink Faucets 8" Centers

### Approvals:

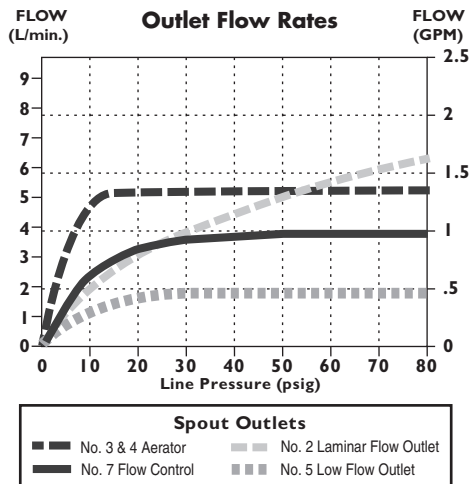
- CSA certified
  - Complies to ASME A112.18.1/CSA B125.1
  - Handles No. 2, 3, 4, and 5  
Indicates compliance to ICC/ANSI A117.1
  - Verified compliant with 0.25% weighted average Pb content regulations
- (Contact Delta Representative for State and/or Local Approvals.)

### HANDLE TEMPERATURE INDICATORS

- Add suffix **"-TI"** to Product Number for handle temperature indicators "H" (red), "C" (blue).
- Available on handle options 2, 3 or 4 only.



### FLOW RATE vs PRESSURE



### FOR OPTIONAL RIGID/SWIVEL & LIMITED SWING SPOUTS

See DSP-R/S for detailed specification

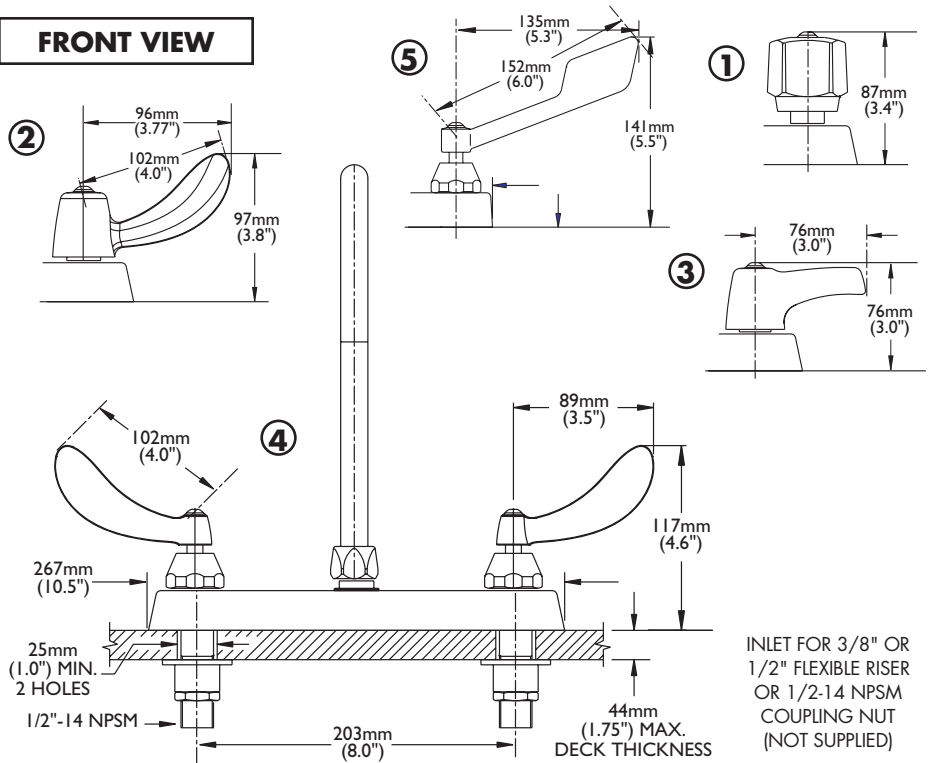
### FOR OPTIONAL SWING SPOUTS

See DSP-S/S for detailed specification

Note: Measurements may vary ± 6mm (0.25")

Refer to [www.specselect.com](http://www.specselect.com) for individual models.

### FRONT VIEW

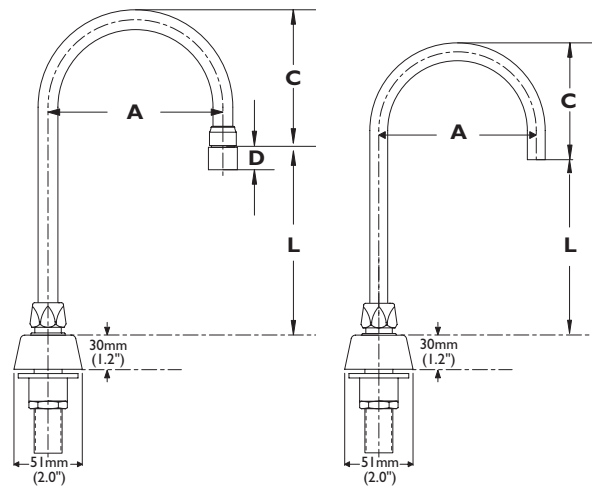


INLET for 3/8" OR 1/2" FLEXIBLE RISER OR 1/2-14 NPSM COUPLING NUT (NOT SUPPLIED)

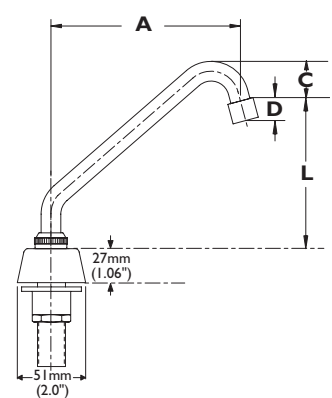
### GOOSENECK SPOUT

Outlets #2, 3, 4 & 5

Outlet #7



### SWING SPOUT



### LIMITED SWING GOOSENECK

- Add suffix **"-LS"** to Product Number for 120° Limited Swing

OUTLET NO.	"D"	
	mm	in.
2	18	0.69
3	18	0.69
4	17	0.67
5	18	0.69

### GOOSENECK SPOUT ASSEMBLY #9

SPOUT/OUTLET	"A"		"C"		"L"	
	mm	in.	mm	in.	mm	in.
Gooseneck-Standard (R4) for outlets #2, 3, 4 & 5	152	6	124	4.9	146	5.8
Gooseneck-Standard (R4) for outlet #7	152	6	117	4.6	152	6.0

### SWING SPOUT ASSEMBLIES

SPOUT NO.	SPOUT TYPE	"A"		"C"		"L"	
		mm	in.	mm	in.	mm	in.
1	8" Wallform Spout (S2)	206	8.1	15	0.6	130	5.1
2	8" Tubular Spout (S5)	185	7.3	41	1.6	147	5.8

Note: Use this page front and back as a product submittal sheet.