



# TECHINIT

Tecnologie Innovative Italia

## FastPipe®

## 5/8" 90° Bend Support



**SKU: FP1200300**

**Technical features:**

- No sound transmission,
- Highly heat resistant,
- Strong and durable

**Material:**

Fiberglass reinforced PA

**Physical characteristics:**

- Sizes: 18 x 18 x 4 cm,
- Weight: 110 g,

**Recommendation for use:**

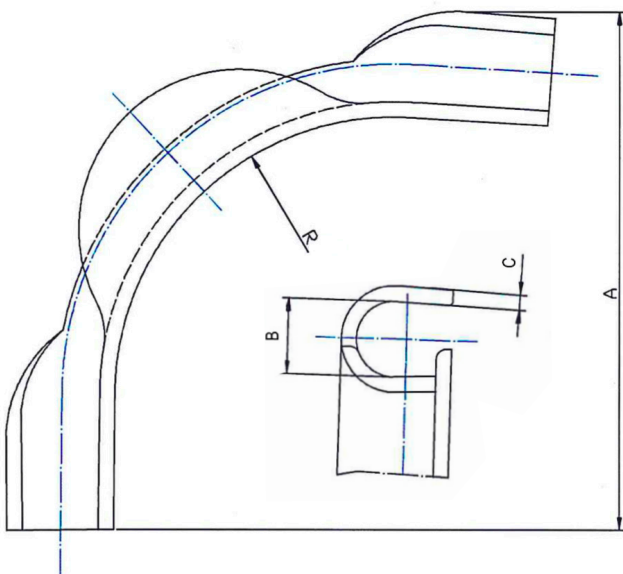
Always follow the instruction manual provided with FastPipe®

**Recommendation for storage and transportation:**

None.

**Sizes and quotes:**

- A: 175 mm
- B: 25 - 30 mm
- C: 5 mm
- R: 115 mm



**Techinit S.r.l. a socio unico**

35020 Albignasego (Padova) ITALY – Via L. Da Zara, 16/18 Tel +39 049 8380131 – Fax +39 049 8380131  
shop.techinit.it – info@techinit.net – P.IVA 05002960285

Pagina 1 di 2