

### Features

- Multifunction handshower with advanced spray engine provides three spray experiences: Full Coverage with Katalyst technology, Deep Massage, and Cloud.
- Full Coverage with Katalyst technology delivers a drenching spray experience, ideal for rinsing shampoo from hair.
- Deep Massage streams twist and swirl, targeting sore muscles to ease away aches and pains.
- Cloud spray experience restores with a thick cloud of silky, super-fine water droplets.
- MasterClean™ sprayface features an easy-to-clean surface that withstands mineral buildup.
- Optimized sprayface for maximum performance.
- 2.5 gpm (9.5 lpm) maximum flow rate.

### Material

- Premium material construction for durability and reliability.
- KOHLER finishes resist corrosion and tarnishing.

### Technology

- Katalyst® air-induction technology infuses water with air, creating bigger drops for a more powerful spray.

### Installation

- G 1/2 inlet connection.
- Requires shower hose (sold separately).
- Bracket or slidebar required for wall-mount installation.
- Deck-mount holder required for deck-mount installation.

### Recommended Products/Accessories

- K-9514 60" Shower Hose
- K-8593 72" Shower Hose
- K-26309 Wall-mount handshower holder
- K-26310 Handshower holder with supply elbow & check valve
- K-26312 31½" slidebar
- K-26313 39" slidebar
- K-26314 31½" (800 mm) slidebar with integrated water supply
- K-23723 Faucet cleaner



### Codes/Standards




ASME A112.18.1/CSA B125.1  
DOE - Energy Policy Act 1992

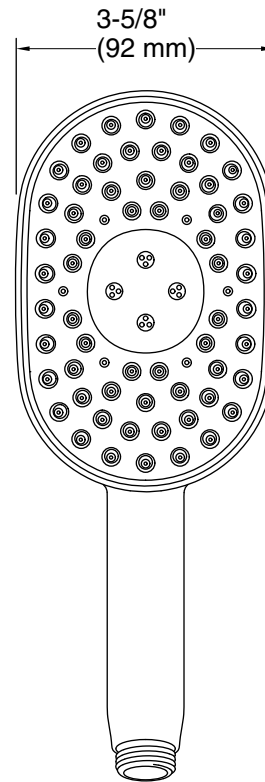
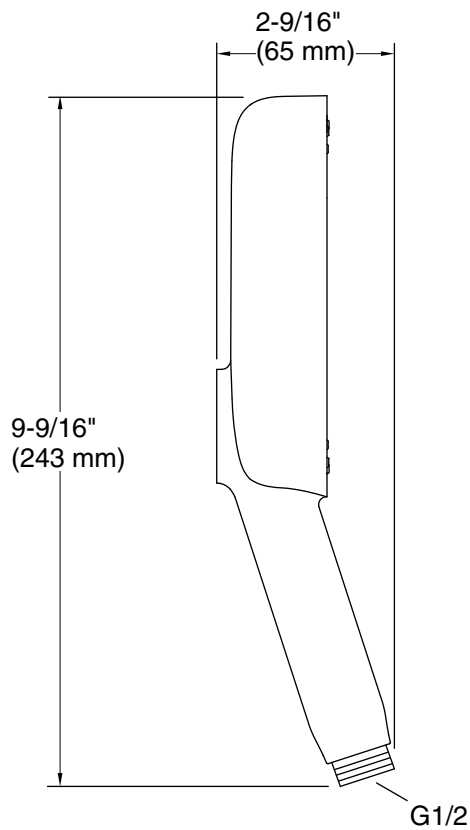
### KOHLER® Faucet Lifetime Limited Warranty

See website for detailed warranty information.

### Available Colors/Finishes

*Color tiles intended for reference only.*

Color	Code	Description
	CP	Polished Chrome
	BN	Vibrant® Brushed Nickel
	BL	Matte Black
	2MB	Vibrant® Brushed Moderne Brass



### Technical Information

All product dimensions are nominal.

#### Handshower:

Rated maximum flow: 2.5 gal/min (9.5 l/min)  
Pressure: 80 psi (5.5 bar)

### Notes

For use with automatic compensating valves rated at 1.5 gal/min (5.7 l/min) or less.