



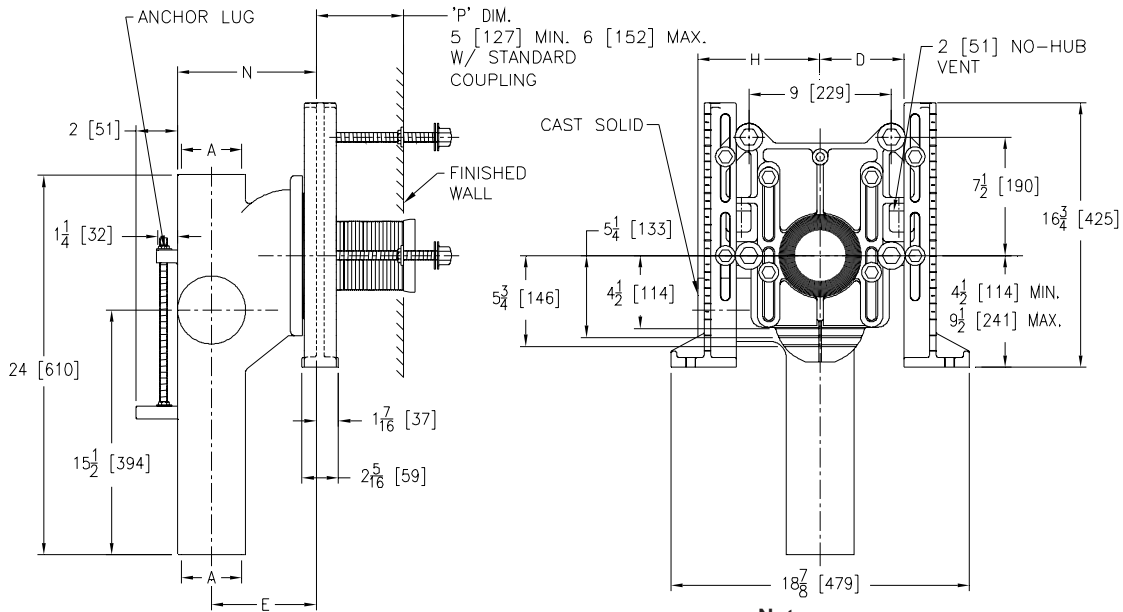
# Z1204-N

## ADJUSTABLE VERTICAL SIPHON JET-NO-HUB

SPECIFICATION SHEET

TAG \_\_\_\_\_

Dimensional Data (inches and [ mm ]) are Subject to Manufacturing Tolerances and Change Without Notice



**Note:**

1. Min. 'P' Dim. Obtainable = 2 [51]
2. 2 [51] No-Hub vent connection regularly furnished on right hand side. Left hand available when specified (Suffix-VL)
3. Auxiliary inlet available right (-JR) or left (-JL) or both sides (-JJ) when specified.
4. Feet bolted to floor using min. 1/2 [13] dia. bolts and back slots on carrier feet.
5. Back anchor foot required for secure installation.

Product No.	Dimensions In Inches					Approx. Wt.Lbs. [kg]
	A	D	E	H	N	
Z1204-N4	4 [102]	5 [127]	6 5/8 [168]	5 1/2 [140]	8 7/8 [225]	80 [36]
Z1204-N5	5 [127]	5 1/2 [140]	6 5/8 [168]	6 1/2 [165]	9 3/8 [238]	85 [39]
Z1204-N6	6 [152]	6 [152]	7 1/8 [181]	6 1/2 [165]	10 3/8 [264]	95 [43]

**ENGINEERING SPECIFICATION:** ZURN Z1204-N Adjustable, vertical siphon jet water closet "Rigid System" with ( ) size No-Hub connections and ( ) side inlets. Complete with Dura-Coated cast iron right hand, left hand, or double main fitting, with 2 [51] vent, adjustable gasketed faceplate, universal floor mounted foot supports, corrosion resistant adjustable ABS coupling with integral test cap, fixture bolts, trim, and stud protectors. Rear anchor tie down and bonded "Neo-Seal" gasket.

**PRODUCT/DEFINITION**

\_\_\_\_ Z1204-N( ) No-Hub Stack, Single Inlet, 2 [51] Right Hand Vent

**PREFIXES**

- \_\_\_\_ Z D.C.C.I. System with Zurn "ZZ" Adjustable Coupling\*
- \_\_\_\_ ZC D.C.C.I. System with Compression Fit Faceplate
- \_\_\_\_ ZF D.C.C.I. System with Non-Adjustable One Piece Carrier
- \_\_\_\_ ZQ D.C.C.I. System with NPT Faceplate, Non-Adjustable Coupling

**SUFFIXES**

- |   |  |
|---|--|
| <ul style="list-style-type: none"> <li>____ -A Auxiliary Support Assembly (For P-Dim. Greater than 18 [457])</li> <li>____ -B Blowout Type Fixture Support</li> <li>____ -BC Back Cleanout</li> <li>____ -CC Corrosion Resistant Cast Iron Coupling (6 to 12 [152] to [305])</li> <li>____ -CL Coupling Length Greater than 12 [152] (Specify Length Required.)</li> <li>____ -F Floor Mount, Back Outlet Fixture Support</li> <li>____ -G Galvanized Cast Iron</li> <li>____ -JJ Two 2" [51] Auxiliary Inlets</li> <li>____ -JL 2 [51] Left-Hand Auxiliary Inlet</li> <li>____ -JR 2 [51] Right-Hand Auxiliary Inlet</li> <li>____ -M Auxiliary Foot Support (For P-Dim. 10-18 [254-457])</li> <li>____ -VL Left Hand Vent Connection</li> </ul> | <ul style="list-style-type: none"> <li>____ -VP Vandal-Proof Trim</li> <li>____ -X Heavy-Duty 500lb. [227 kg] Carrier Rear Anchor Tie down.</li> <li>____ -XB Bariatric 1000 lb [454 kg] Carrier</li> <li>____ -XH Extra-Heavy-Duty 750 lb [227 kg] Carrier</li> <li>____ -XI 2 [51] Integral Foot Extension</li> <li>____ -X3 3 [76] Foot Extension</li> <li>____ -X4 4 [102] Foot Extension</li> <li>____ -29 Mechanical Test Cap Assembly (Previously Z1210-29)</li> <li>____ -45 Finishing Frame for Siphon Jet System</li> <li>____ -50 Flush Valve Supply Support for W.C.</li> <li>____ -61 "ZZ" Coupling Wrench</li> </ul> |
|---|--|

\*REGULARLY FURNISHED UNLESS OTHERWISE SPECIFIED

<b>REV. F</b>	<b>DATE: 5/24/07</b>	<b>C.N. NO. 96653</b>
<b>DWG. NO. 58842</b>		<b>PRODUCT NO. Z1204-N</b>