

Features

- Frameless design emphasizes glass and creates a sleek, minimalist look
- Reversible top track offers a choice of curved or flat profile
- Frameless, 1/4" (6 mm) thick Clear tempered glass
- Tempered glass ensures enhanced safety and durability
- CleanCoat®+ glass coating creates a hydrophobic barrier that repels water, soap scum, and residue, saving time and protecting shower doors 10 times longer than original CleanCoat. (Based on 2021 internal wear/abrasion testing using a microfiber cloth.)
- Interior and exterior towel bars complete the look of this door
- Center-guided mechanism for smooth, quiet sliding action and easy cleaning

Material

- Anodized aluminum prevents rust and corrosion

Installation

- Fits opening widths 42-5/8" - 47-5/8" (1083 - 1210 mm)
- 65-1/2" (1664 mm) high, with 62-13/16" (1595 mm) minimum head clearance
- 3/8" (10-mm) out-of-plumb adjustability on each side simplifies installation
- Door can be installed to open to the left or right to suit your bathroom layout
- For residential use only
- Not for use in hospitality



Codes/Standards

ANSI Z97.1
CAN/CGSB-12.1
CPSC 16CFR 1201

STERLING® Bath and Shower Doors Five-Year Limited Warranty

See website for detailed warranty information.

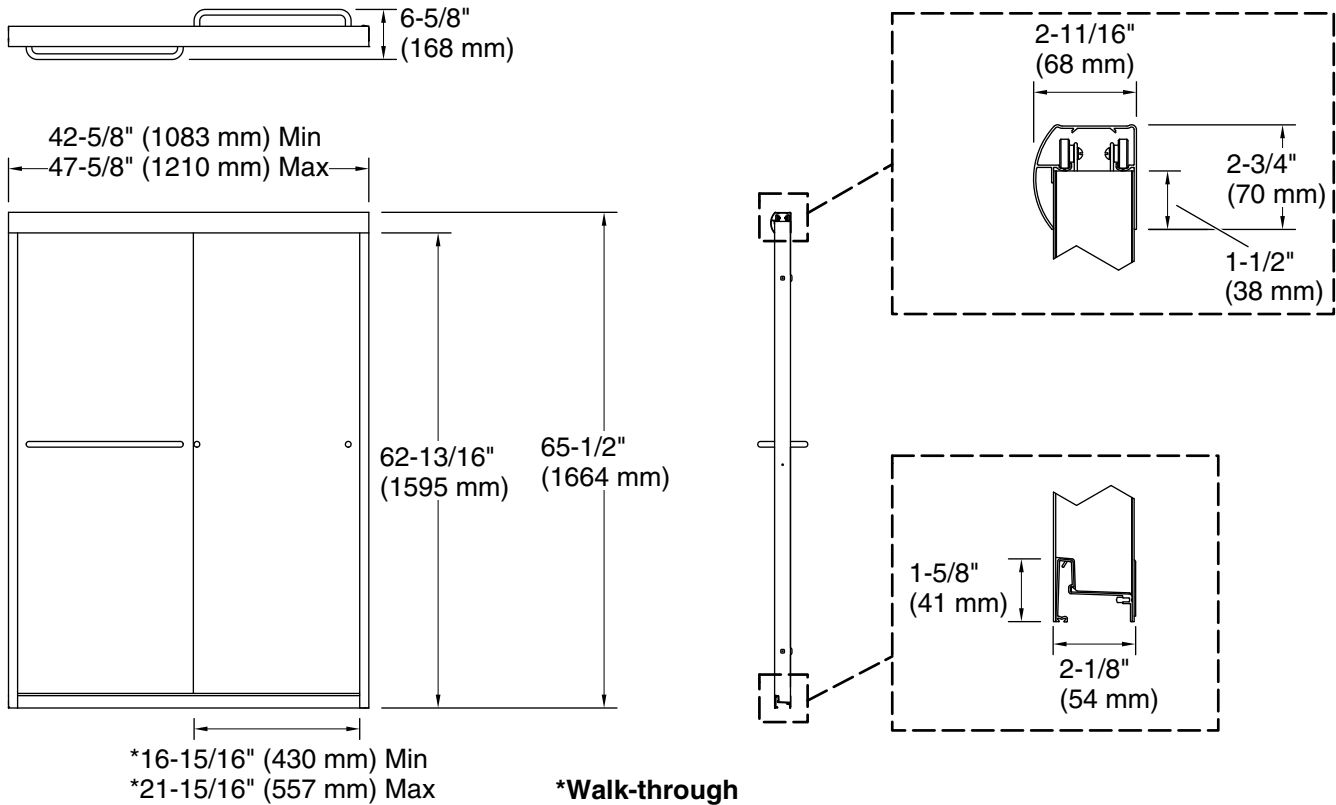
Available Colors/Finishes

Color tiles intended for reference only.

Color	Code	Description
	ADR	Anodized Deep Bronze
	N	Nickel
	S	Silver
	BL	Matte Black

Available Glass Options

Code	Description
G05	Clear



Technical Information

All product dimensions are nominal.
Base-To-Wall 1/2" (13 mm)
Radius – Max:

Notes

The vertical opening should be a minimum of 68-1/4" (1734 mm) to allow for installation clearance.