

# spirax sarco

## Self Acting Temperature Control Systems

### Description

A range of self-powered control systems that incorporate sensor, actuator, set point adjustment/indicator for use with the following valve types:

2-port	KA, KB, KC, KX, KY, SB, SBRA, BX, BXRA, BM, BMRA, BMF, BMFRA, NS, NSRA,
3-port	TW

### Available Types

#### Set point adjustment at sensor

SA121	For use on	2-port valves	1/2" to 3"
		3-port valves	3/4" to 1-1/2"
SA128	For use on	2-port valves	1/2" to 1"
		3-port valves	3/4" and 1"

#### Set point adjustment at valve

SA122	For use on	2-port valves	1/2" to 1"
		3-port valves	3/4" and 1"

#### Remote set point adjustment

SA123	For use on	2-port valves	1/2" to 3"
		3-port valves	3/4" to 1-1/2"

Connection - NPT

### Optional Extras

**Union Kit (SA122)** Direct immersion

**Pocket** Indirect immersion

Material options include mild steel, copper, brass, stainless steel  
Glass option also available for SA122 and SA123 only

**Wall bracket**

**Duct adaptor** Duct mounting

**Coiled Sensor** Fast response

**Nickel plating**

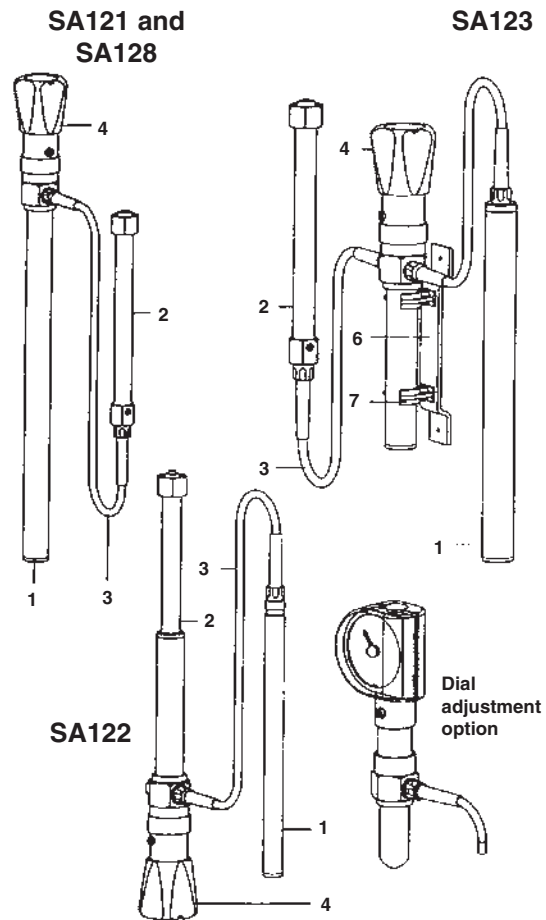
**Dial Type Set Point Adjuster**

**Pt100 Temperature Sensor** SA122TP and SA123TP incorporate an internal pocket to accept a Pt100 sensor.

### Construction Materials

No	Part	Material	
1	Sensor	Brass	
2	Actuator	Brass	
3	Capillary tube	Copper with a PVC coated armoured covering	
4	Adjustment head	Polypropylene	
*5	Union kit	Brass	
6	Mounting bracket	Steel	
7	Clip	Polypropylene	
*8	Adaptor plate (Duct fixing adaptor)	Steel	
*9	Pocket	Mild steel	BS 980 CEW2
		Copper	BS 2871 C106
		Brass	BS 2817 CZ126
		Stainless steel	BS 3605 CFS 316S 18
10	Liquid fill	Kerosene	

\*Items 5,8, and 9 are shown overleaf



### Temperature Ranges

#### Set point adjustment at sensor

SA121	Range 1	5° to 125°F (-15°C to 50°C)
	Range 2	105° to 225°F (40° to 105°C)

SA123	Range 3	205° to 320°F (95°C to 160°C)
-------	---------	-------------------------------

Over temperature protection 100°F (55°C) over set value to 375°F (190°C) maximum

SA122	Range 1	0° to 250°F (-20°C to 120°C)
	Range 2	105° to 340°F (40°C to 170°C)

Over temperature protection 100°F (55°C) over set value to 375°F (190°C) maximum

SA128	Range 1	0° to 230°F (-20°C to 110°C)
	Range 2	105° to 340°F (40°C to 170°C)

Over temperature protection 100°F (55°C) over set value to 375°F (190°C) maximum

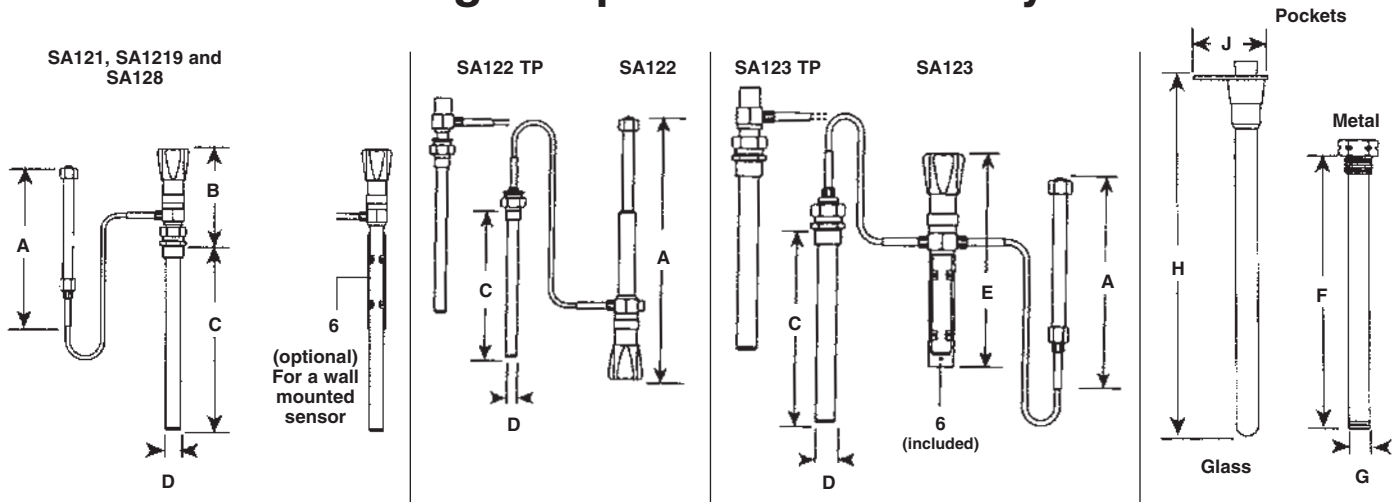
### Capillary Tube

Standard length 2 m, 4m, 8m, and 20 m.

*Local regulation may restrict the use of this product below the conditions quoted. Limiting conditions refer to standard connections only.*

*In the interests of development and improvement of the product, we reserve the right to change the specification.*

# Self Acting Temperature Control Systems



**Dimensions / Weight (approximate) in inches & millimeters**

Model	Control System					Metal Pockets		Glass Pockets		Weight excluding
	A	B	C	D	E	F	G	H	J	
SA121	11.0 (275)	7.2 (185)	12.2 (310)	1.0 (25)	-	12.5 (315)	1.1 (28)	-	-	4.5lb (2.0)
SA122	16.3 (415)	-	9.4 (240)	.67 (17)	-	10.1 (258)	.8 (20)	255 (575)	4.5 (117)	4.0lb (1.8)
SA122TP	16.3 (415)	-	10.4 (225)	.67 (17)	-	10.1 (258)	.8 (20)	-	-	4.5lb (2.0)
SA123	11.0 (275)	-	9.7 (248)	1.0 (25)	10.6 (270)	10.1 (258)	1.1 (28)	225 (575)	4.5 (117)	5.8lb (2.5)
SA123TP	11.0 (275)	-	10.4 (225)	1.0 (25)	10.6 (270)	10.1 (258)	1.1 (28)	-	-	5.8lb (2.7)
SA128	11.0 (275)	7.2 (185)	6.7 (178)	1.0 (25)	-	7.0 (180)	1.1 (28)	-	-	4.0lb (1.8)

## Union Kit (for sensor immersion without pocket)

Includes gland nut, compression ring and union nipple.

SA121, SA123 and SA128	Items Z, Y and X included with controller
SA122	Items W, V and U optional - not included

## Pockets (for indirect immersion)

Includes pocket, gland nut, and compression ring.

SA121, SA123 and SA128	Items T, Z, and Y
SA122	Items S, W, and V
Available materials	Mild steel, copper, brass and stainless steel

## Long Pockets (SA122 and SA123 only)

To special order only.

Having a minimum length 0.5m, maximum length to order.

Includes pocket, bracket and rubber bung.

SA121 and SA123	Items S, V, W and T, Z, Y
Available Materials	Mild steel, copper, brass and stainless steel

## Glass Pockets (SA122 and SA123 only)

To special order only.

Includes pocket, bracket and rubber bung.

SA122 and SA123	Items R, O, and P
-----------------	-------------------

## Wall Mounting Bracket (Item 6)

SA121, SA122, SA123 and SA128	Optional
-------------------------------	----------

## Duct Fixing Adaptor (for air sensing within ducts)

Includes adaptor plate, union nipple, compression ring and gland nut.

SA121, SA123 and SA128	Items 8, X, Y, and Z
SA122	Not available

