

SECONDARY DRAINAGE FUNNEL

696 series

Ox Box™

SPECIFICATION

Furnish and install this secondary drainage funnel featuring integral 1" air gap and splash guard to dispose of drainage such as condensate. Unit shall have concave front section for use with a washing machine drain line bend support when installed with an Ox Box washing machine drain box. Funnel sections have molded snaps that securely fit together for secure installation and ease of cleaning. Unit shall be manufactured by Sioux Chief Manufacturing Company. Funnel side ridges align with slots in the bottom of the Sioux Chief Ox Box drain box (item #696-3).

Flow Rate/Pressure Loss Chart

PSI DROP	2	4	6	8	10	12	14	16	18	20
GPM	3.36	4.68	5.78	6.63	8.09	8.83	9.40	10.19	10.80	11.25

MATERIALS

top section: ABS (white)

concave section: ABS (white)

FLOW RESTRICTION

7.0 GPM or less

TEMPERATURE REQUIREMENTS

melting point: 220°F

working temperature limit: 160°F

SUPPLY CONNECTION RANGE

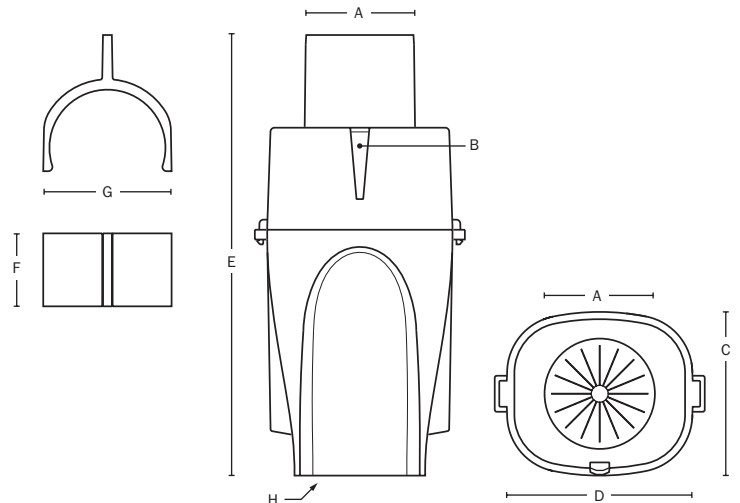
½" CTS tubing – 1" plastic piping

CERTIFICATIONS

UPC/IAPMO listed to meet PS-65-2002

DIMENSIONS

A: top section diameter	1.625"
B: total vent opening area	0.2075 in ²
C: depth	2.375"
D: width	3.125"
E: overall height	6.5"
F: clip height	1"
G: clip width	1.81"
H: funnel outlet open area	0.952 in ²



Item # Submitted	_____
Job Name	_____
Location	_____
Engineer	_____
Contractor	_____
PO#	_____ TAG _____



696-CF