



Features

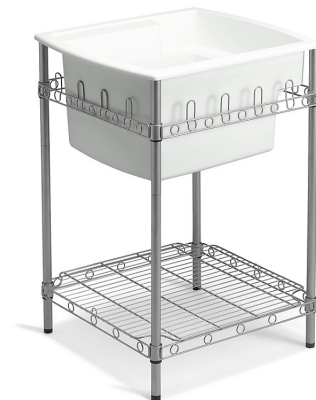
- Unique quarter-deck design provides shelf space for storage and cleaning.
- Surface texture maintains superior stain and scratch resistance.
- Drill marks provided for faucet hole drilling.
- Includes a free standing metal stand for added storage and versatility.
- 12.5" (304.79 mm) basin depth.
- 36" (914 mm) comfortable working height.
- 25" (635 mm) x 22" (559 mm) x 36" (914 mm)

Material

- Compression molded from our exclusive solid Vikrell® material.

Installation

- Foot levelers and wall brackets included.



Codes/Standards

CSA B45.5/IAPMO Z124
ASTM E162
ASTM E662
Greenguard UL 2818 - Gold

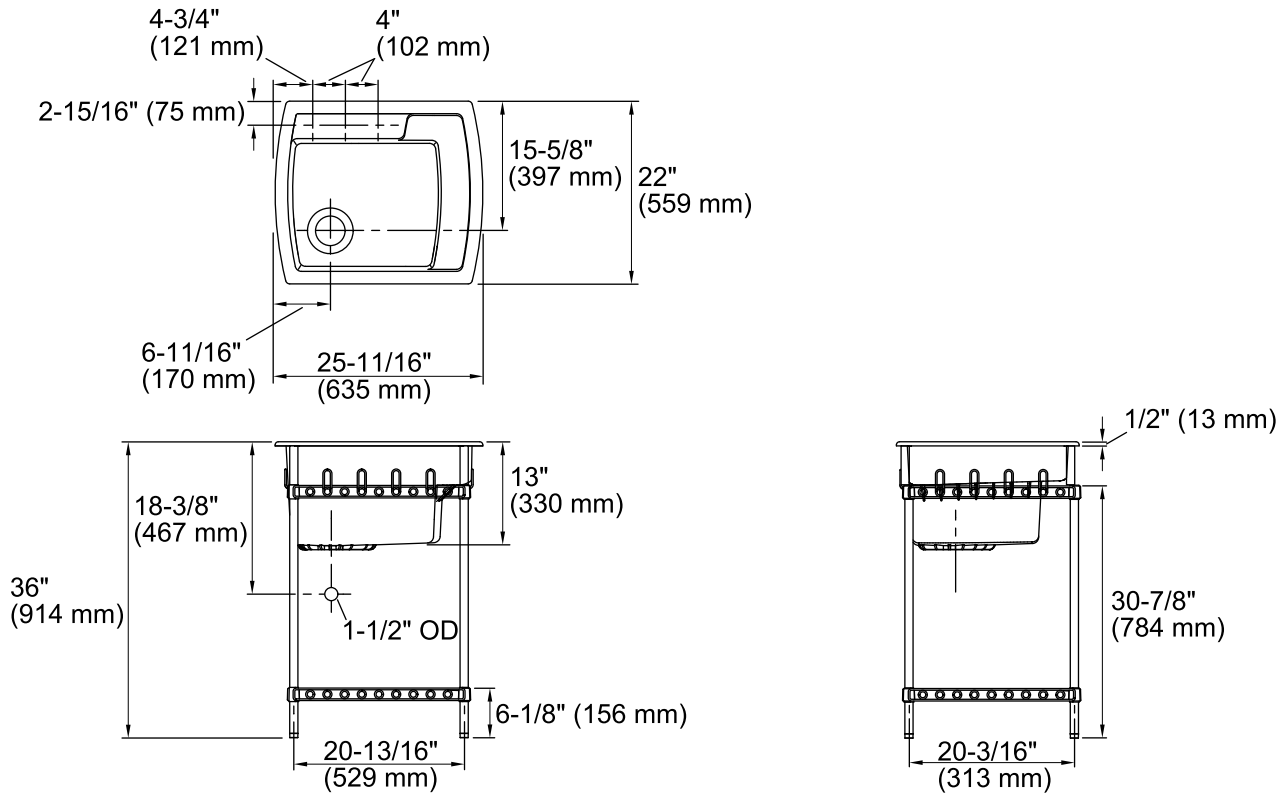
STERLING® Warranty - Fixtures Made of Solid Vikrell Material

See website for detailed warranty information.

Available Color/Finishes

Color tiles intended for reference only.

Color	Code	Description
	0	White
	96	KOHLER Biscuit



Technical Information

All product dimensions are nominal.

- Bowl configuration: Single
- Installation: Standalone, Standalone
- Bowl area (Only) Length: 22" (559 mm)
Width: 16" (406 mm)
Bowl depth: 12-1/4" (311 mm)
Water depth: 12-1/4" (311 mm)
- Number of deck holes: 3
- Faucet hole(s): 1-3/8" (35 mm)

Notes

Install this product according to the installation instructions.