



Features

- Modular design allows it to be moved around corners and through doorways with ease.
- Durable high-gloss finish.
- Wall surround includes backer boards for future grab bar installation.
- Must be installed with Accord 72281100 seated shower base.

Material

- Compression-molded from our exclusive Vikrell® material.

Installation

- Pivot "snap together" installation; no caulking required.

Recommended Accessories

- 695B-48 Framed Sliding Shower Door
- 1500D-48 Framed Pivot Shower Door
- 1505D-48 Framed Pivot Shower Door
- 1506D-48 Framed Pivot Shower Door
- 1530D-48 Framed Pivot Shower Door
- 1535D-48 Framed Pivot Shower Door
- 5375EZ-45 Frameless Sliding Shower Door
- 5475-48 Frameless Sliding Shower Door
- 5477-48 Frameless Sliding Shower Door
- 5970-48 Framed Sliding Shower Door
- 5975-48 Framed Sliding Shower Door
- 5976-48 Framed Sliding Shower Door
- 5977-48 Framed Sliding Shower Door
- 547808-48 Frameless Sliding Shower Door
- 572075-48 Framed Sliding Shower Door
- 581075-48 Frameless Sliding Shower Door
- 80001012 12" Grab Bar
- 80001018 18" Grab Bar
- 80001024 24" Grab Bar
- 80011032 32" Grab Bar
- 80001036 36" Grab Bar
- 80012222 22" Grab Bar
- 72286104 Removable Shower Seat



Codes/Standards



- CSA B45.5/IAPMO Z124
- ASTM E162
- ASTM E662
- Greenguard UL 2818 - Gold

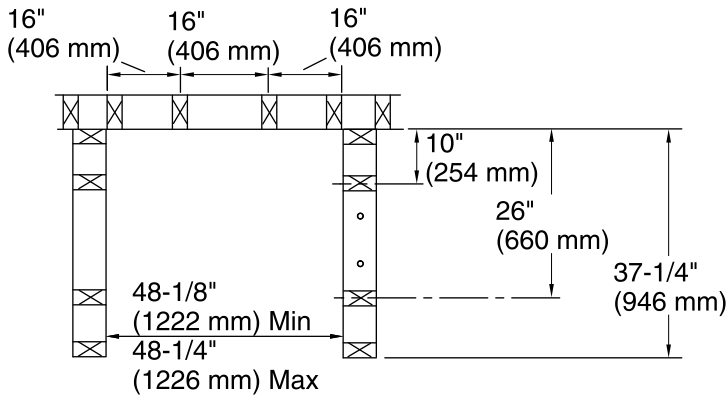
Warranty – Bathing Fixtures (and Kitchen and Utility Sinks Made of Solid Vikrell® Material)

See website for detailed warranty information.

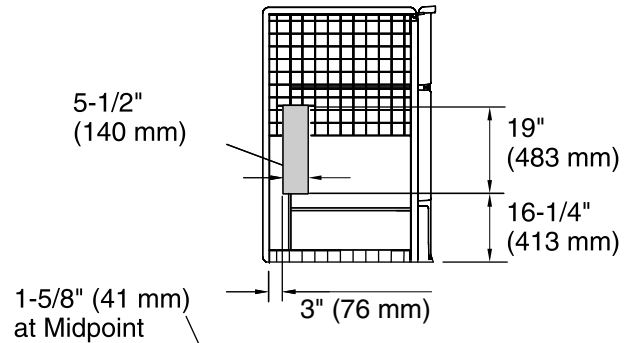
Available Color/Finishes

Color tiles intended for reference only.

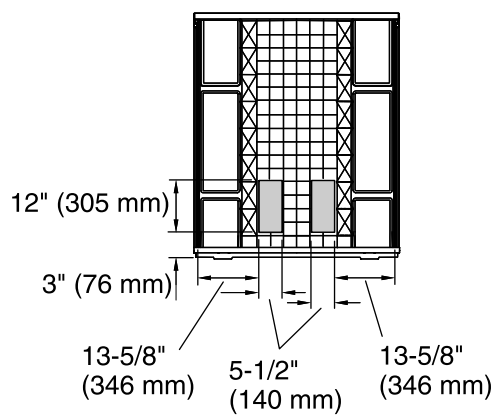
Color	Code	Description
	0	White
	96	KOHLER Biscuit



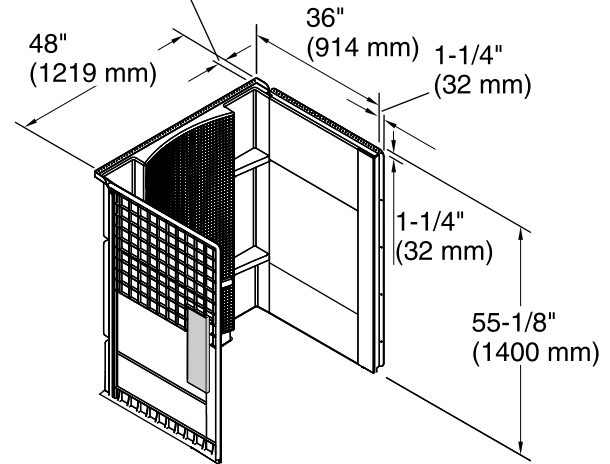
End Wall



Back Wall



Backer Board Locations



Technical Information

All product dimensions are nominal.
 Installation: 3-Wall Alcove
 Maximum door height: 70-5/8" (1794 mm)
 Maximum door width: 44-5/8" (1133 mm)

Notes

Install this product according to the installation instructions.
 Measure your actual product for roughing-in details.