



Verse™
top-mount kitchen sink
K-20060-4

Features

- 36-inch minimum base cabinet width.
- Single bowl.
- 9-inch depth provides generous workspace.
- Three faucet holes with one accessory hole to the right.
- SilentShield® sound-absorption technology offers quieter performance.
- Includes installation hardware.

Material

- 18-gauge stainless steel.

Installation

- Top-mount.

Recommended Products/Accessories

- K-8801 Sink Strainer
- K-8799 Sink Strainer

Included Components

- Additional Components:
Installation hardware

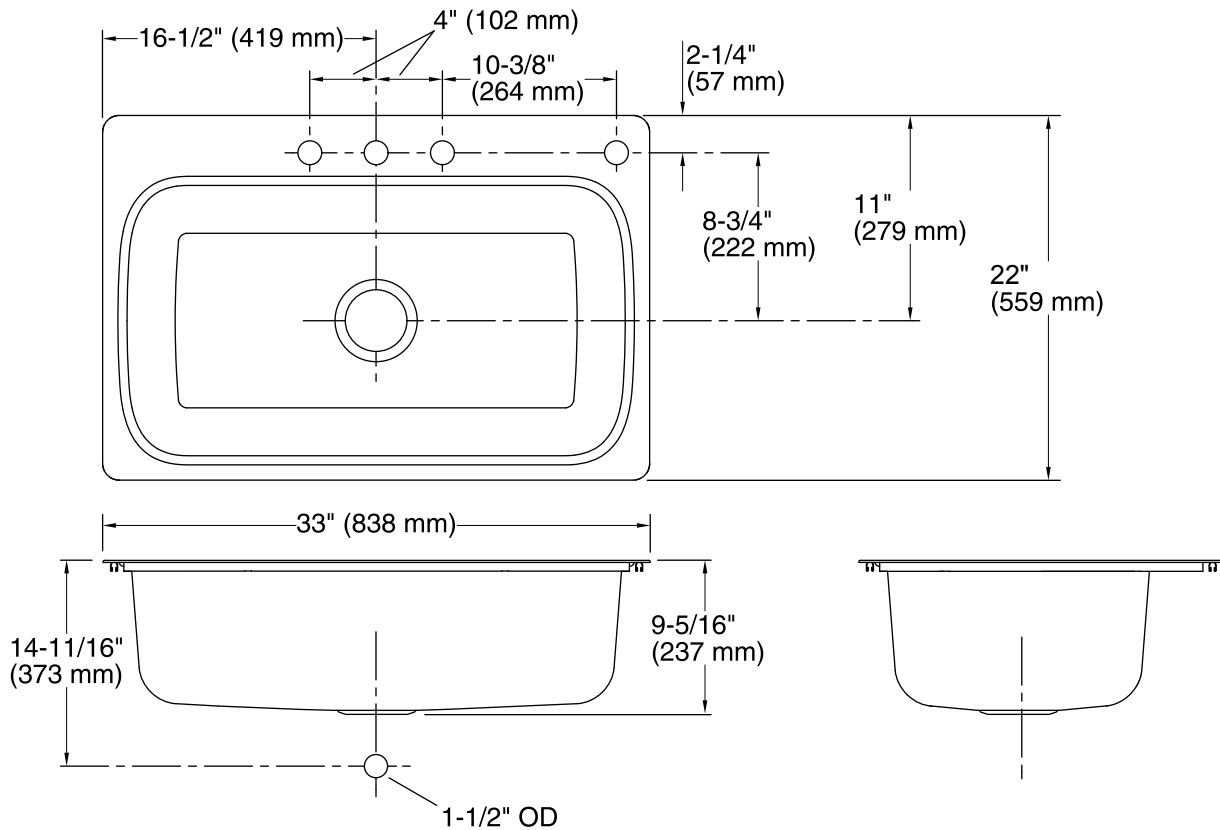


Codes/Standards

ASME A112.19.3/CSA B45.4

**Lifetime Limited Warranty for
KOHLER® Stainless Steel Sinks**

See website for detailed warranty information.



Technical Information

All product dimensions are nominal.

Installation: Top-mount
Min. base cabinet width: 36" (914 mm)

Bowl area (Only): Length: 29-7/16" (748 mm)
Width: 15-11/16" (399 mm)
Bowl depth: 9" (229 mm)
Water depth: 9" (229 mm)

Number of deck holes: 4

Faucet hole spacing: 4" (102 mm)

Faucet hole(s): 1-7/16" (37 mm)

Soap/Lotion hole: 1-7/16" (37 mm)

Drain hole: 3-3/4" (94 mm)

Notes

Install this product according to the installation instructions.