



**Dearborn®
Brass**

4675 W. 160th St.
Cleveland, Ohio 44135
Ph: (800) 321-9532
Fax: (800) 321-9535
www.dearbornbrass.com

SUBMITTAL SPECIFICATION

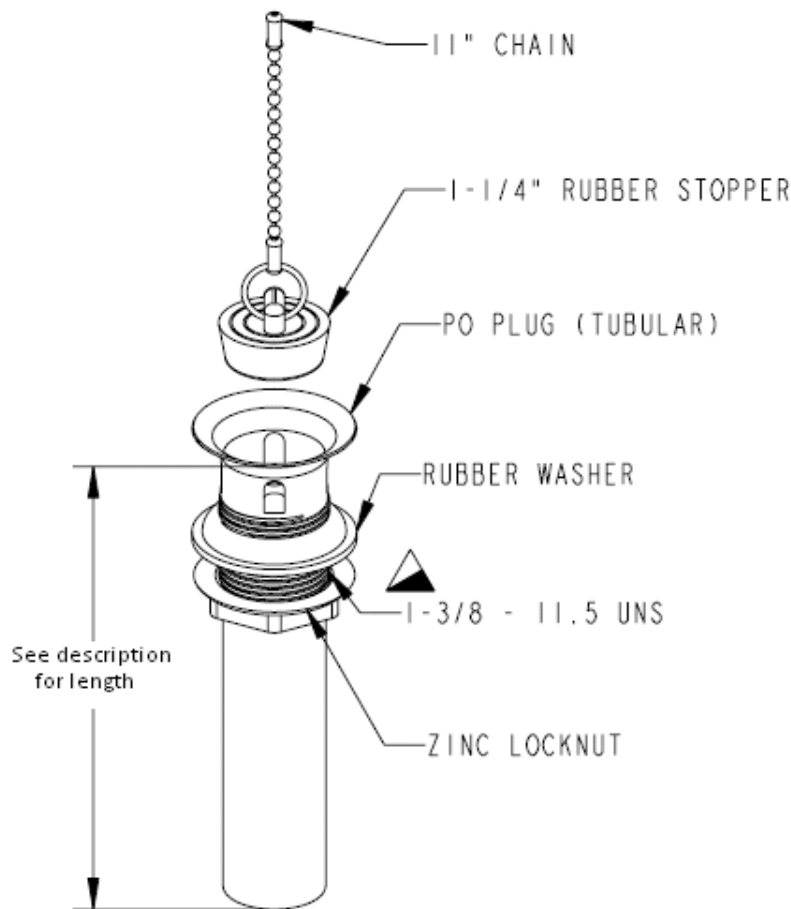
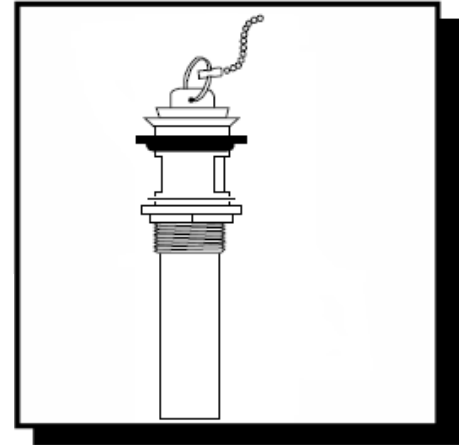
**BRASS TUBULAR
ONE PIECE PATENT OVERFLOW PLUG**

Engineering Specification: Dearborn Brass One Piece Patent Overflow Plug is designed for use in tubular drain applications with lavatory sinks. One piece design is for use with stamped sink without overflow. Available in 5", 8" or 12" lengths.

Job Reference

DESCRIPTION

- Chrome Finish
- 20 Gauge Brass
- One Piece Assembly



✓	Product No.	Description	Carton Quantity	Carton Weight (lbs)
	2763-1	1-1/4" x 5" Patent Overflow Plug 1 Piece – 20 Gauge	10	4
	2764A-1	1-1/4" x 8" Patent Overflow Plug 1 Piece – 20 Gauge	10	6
	2765-1	1-1/4" x 12" Patent Overflow Plug 1 Piece – 20 Gauge	10	8

Data is subject to manufacturing tolerances.