

STERLING®

A KOHLER COMPANY

MIDDLETON®

TOP-MOUNT KITCHEN SINK 14711

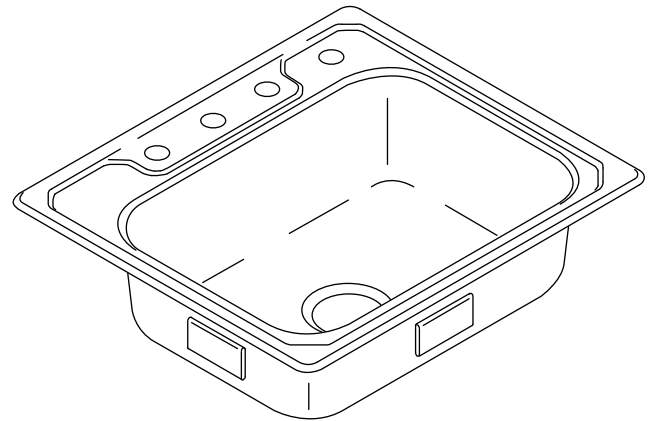
Features

- 21-gauge stainless steel
- Includes SilentShield® sound-absorption technology
- Single bowl, ledge back sink
- Top-mount, rolled rim
- Satin deck finish
- Luster bowl finish
- 25" (63.5 cm) x 22" (55.9 cm) x 8" (20.3 cm)

Codes/Standards Applicable

Specified model meets or exceeds the following:

- ASME A112.19.3



Colors/Finishes

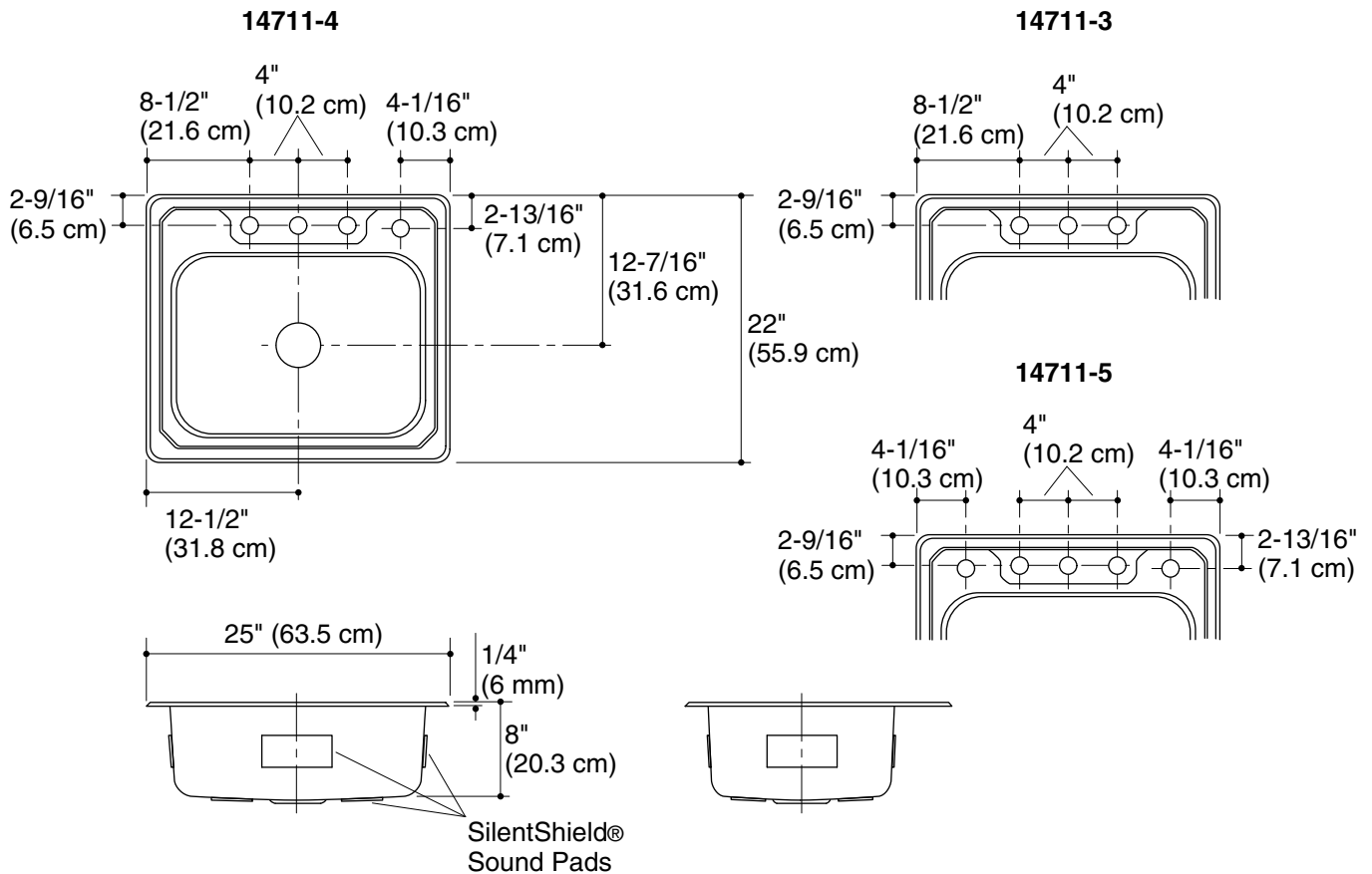
- NA: None applicable

Specified Model

Model	Description	Holes	Quantity	Bowl Depth	Colors/Finishes
14711-3	Top-mount kitchen sink	3	1	8" (20.3 cm)	<input type="checkbox"/> NA
14711-4	Top-mount kitchen sink (shown)	4	1	8" (20.3 cm)	<input type="checkbox"/> NA
14711-5	Top-mount kitchen sink	5	1	8" (20.3 cm)	<input type="checkbox"/> NA
F14711-3	Top-mount kitchen sink, multi-pack	3	40	8" (20.3 cm)	<input type="checkbox"/> NA
F14711-4	Top-mount kitchen sink, multi-pack	4	40	8" (20.3 cm)	<input type="checkbox"/> NA
F14711-5	Top-mount kitchen sink, multi-pack	5	40	8" (20.3 cm)	<input type="checkbox"/> NA

Technical Information

Fixture*: Sink	
Cutout size	24-1/2" (62.2 cm) x 21-1/2" (54.6 cm) with 1/2" (1.3 cm) radius corners
Bowl area	21" (53.3 cm) x 15-1/4" (38.7 cm)
Drain hole	3-5/8" (9.2 cm) D.
Faucet holes	1-7/16" (3.7 cm) D.
* Approximate measurements for comparison only.	



Product Diagram