

### Features

- With hanger.
- With overflow.
- Drilled for concealed arm carrier.
- Single-hole faucet drilling.
- Soap dispenser hole on right.
- 21-15/16" (557 mm) x 19-3/4" (502 mm).

### Material

- Vitreous china.

### Installation

- Wall-mount

### Optional Accessories

- K-1998 Shroud
- K-8998 P-Trap

### Components

- Additional included component/s: Hanger (2 required).



ADA CSA B651 OBC

### Codes/Standards





ASME A112.19.2/CSA B45.1  
ADA  
ICC/ANSI A117.1  
CSA B651  
OBC

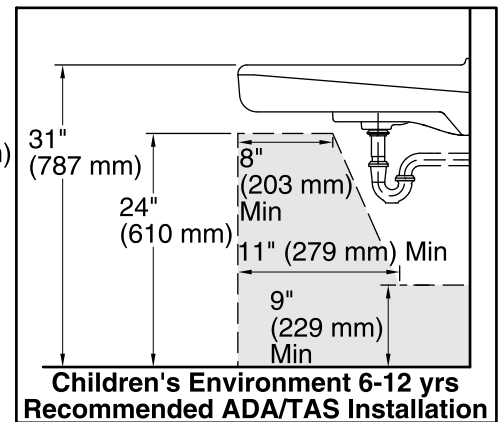
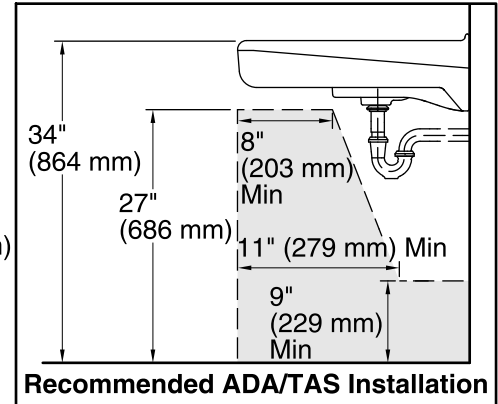
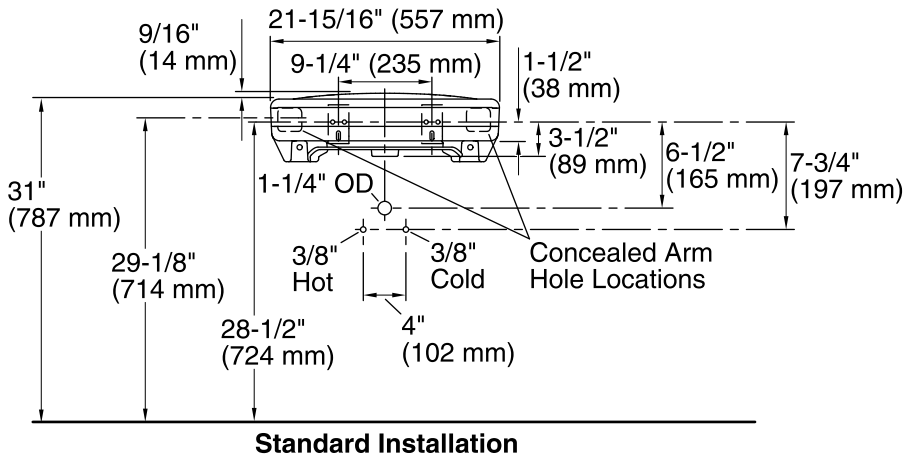
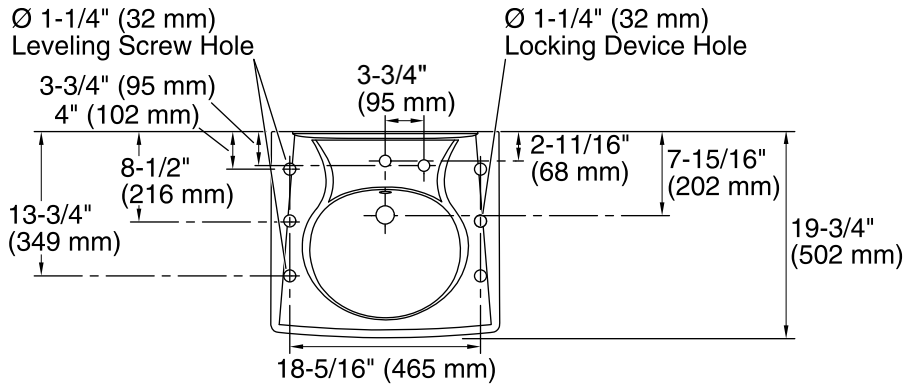
### KOHLER® One-Year Limited Warranty

See website for detailed warranty information.

### Available Color/Finishes

*Color tiles intended for reference only.*

| Color  | Code | Description  |
|--|------|--------------|
|  | 0    | White        |
|  | 96   | Biscuit      |
|  | 47   | Almond       |
|  | 7    | Black Black™ |



### Technical Information

All product dimensions are nominal.

|                       |   |
|-----------------------|---|
| Bowl configuration:   | Single  |
| Installation:         | Wall-mount  |
| Bowl area (Only):     | Length: 14-3/8" (365 mm)<br>Width: 12-5/16" (313 mm)<br>With overflow: Yes<br>Water depth: 3-1/4" (83 mm) |
| Number of deck holes: | 2   |
| Faucet hole(s):       | 1-3/8" (35 mm)  |
| Soap/Lotion hole:     | 1-1/4" (32 mm)  |
| Drain hole:           | 1-3/4" (44 mm)  |

### Notes

Install this product according to the installation instructions.

ADA, OBC, CSA B651 compliant when installed to the specific requirements of these regulations.