

ELKAY[®]

SPECIFICATIONS

Gourmet Double Bowl Sinks Models LR and LRQ Series Models LRAD and LRADQ – A.D.A. Compliant Series

GENERAL

Highest quality sink formed of #18 (1.2mm) gauge, type 304 (18-8) nickel bearing stainless steel. Top mount.

DESIGN FEATURES

LR Bowl Depths: 7-7/8" (200mm) (LR(Q)321) or 7-5/8" (194mm) (all others).

LRAD Bowl Depths: 4" (102mm), 4-1/2" (114mm), 5" (127mm), 5-1/2" (140mm), 6" (152mm) or 6-1/2" (165mm).

Coved Corners: 1-3/4" (44mm) vertical and horizontal radius.
Bowl and Faucet Deck Recess: 3/16" (5mm) below outside edge of sink.

Finish: Exposed surfaces are hand polished to a Lustrous Highlighted Satin Finish.

Underside: Fully undercoated to dampen sound and reduce condensation. LR(Q)3321 is fully protected by heavy duty Sound Guard[®] undercoating.

OTHER

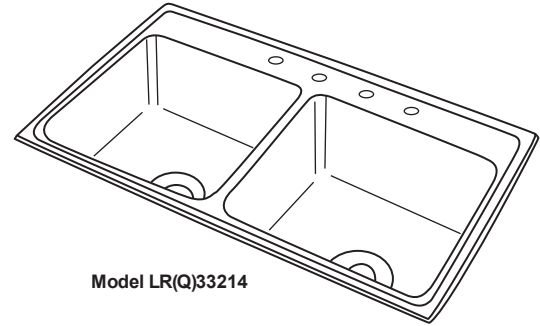
LR Series Drain Openings: 3-1/2" (89mm) and centered in bowls as illustrated.

LRAD(Q)2918 Drain Openings: 3-1/2" and centered in the bowls.

LRAD(Q)2922, LRAD(Q)3319, LRAD(Q)3321 and LRAD(Q)3722 Drain Openings: 3-1/2" (89mm) and located centered left-to-right and off-center front-to-back in each bowl as illustrated.

Sink complies with ASME A112.19.3/ CSA B45.4

 Sinks are listed by IAPMO[®] as meeting the applicable requirements of the Uniform Plumbing Code[®], International Plumbing Code[®], and National Plumbing Code of Canada.

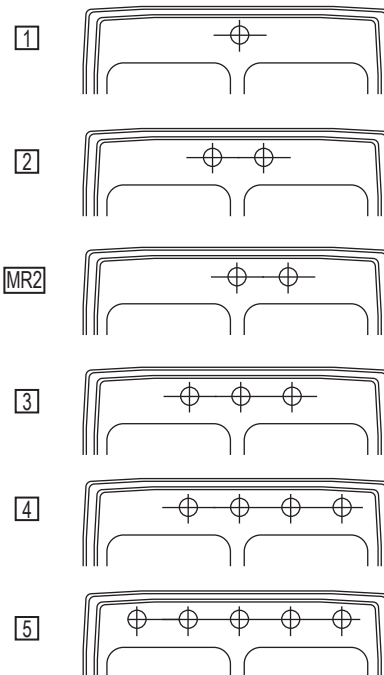


Model LR(Q)33214

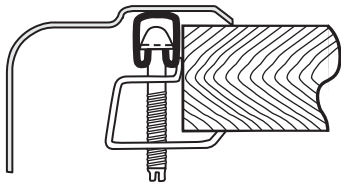


Hole Drilling Configurations

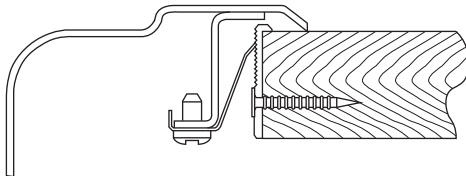
1-1/4" (32mm) Diameter Faucet Holes on 4" (102mm) Centers



U-Channel Type Mounting System



Quick-Clip[®] Mounting System



SEE OTHER SIDE FOR PRODUCT DIMENSIONS.

THIS PRODUCT, AS CONSTRUCTED IS SUBJECT TO INTERPRETATION OF A.D.A. REQUIREMENTS. THE UNOBSTRUCTED KNEE SPACE REQUIRED TO SATISFY A.D.A. STANDARDS MAY NOT BE DESIRABLE.

In keeping with our policy of continuing product improvement, Elkay reserves the right to change product specifications without notice. Please visit elkay.com for the most current version of Elkay product specification sheets.

This specification describes an Elkay product with design, quality, and functional benefits to the user. When making a comparison of others producers' offerings, be certain these features are not overlooked.

Gourmet Double Bowl Sinks
Models LR and LRQ Series
Models LRAD and LRADQ – A.D.A. Compliant Series

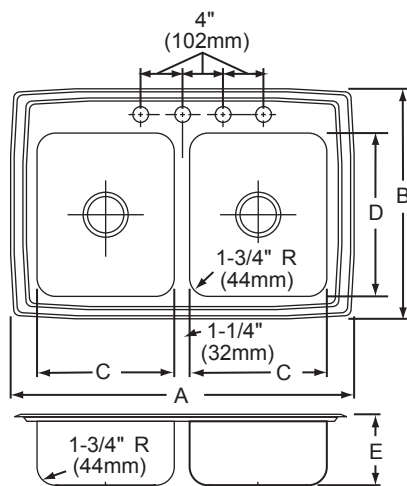
ELKAY®
SPECIFICATIONS

SINK DIMENSIONS*

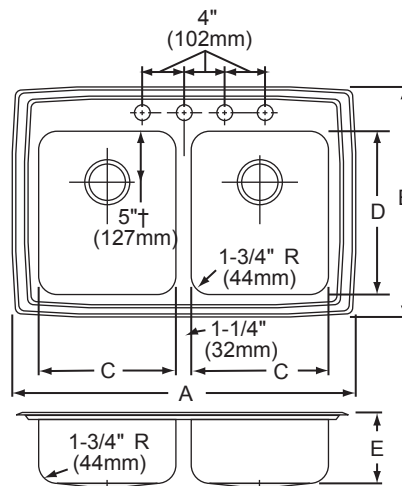
U-Channel Model Number	Quick-Clip® Model Number	Overall		Inside Each Bowl			Cutout in Countertop (1-1/2" (38mm) Radius Corners)		No of 1-1/2" (38mm) Faucet Holes	3 1/2" (89mm) Drain Openings (see other side for details)	Minimum Cabinet Size
		L	W	L	W	D	L	W			
		A	B	C	D	E	L	W			
LR(Q) Series											
LR2519	LRQ2519	25 (635mm)	19-1/2 (495mm)	10 (254mm)	14 (356mm)	7-5/8 (194mm)	24-3/8 (619mm)	18-7/8 (479mm)	1,2,MR2,3,4, or 5	Centered	30 (762mm)
LR2918	LRQ2918	29 (737mm)	18 (457mm)	12 (305mm)	12 (305mm)	7-5/8 (194mm)	28-3/8 (721mm)	17-3/8 (441mm)	1,2,MR2,3,4, or 5	Centered	33 (838mm)
LR2922	LRQ2922	29 (737mm)	22 (559mm)	11-1/2 (292mm)	16 (406mm)	7-5/8 (194mm)	28-3/8 (721mm)	21-3/8 (543mm)	1,2,MR2,3,4, or 5	Centered	33 (838mm)
LR3319	LRQ3319	33 (838mm)	19-1/2 (495mm)	14 (356mm)	14 (356mm)	7-5/8 (194mm)	32-3/8 (822mm)	18-7/8 (479mm)	1,2,MR2,3,4, or 5	Centered	36 (914mm)
LR3321	LRQ3321	33 (838mm)	21-1/4 (540mm)	13-1/2 (343mm)	16 (406mm)	7-7/8 (200mm)	32-3/8 (822mm)	20-5/8 (524mm)	1,2,MR2,3,4, or 5	Centered	36 (914mm)
LR3722	—	37 (940mm)	22 (559mm)	16 (406mm)	16 (406mm)	7-5/8 (194mm)	36-3/8 (924mm)	21-3/8 (543mm)	1,2,MR2,3,4, or 5	Centered	42 (1067mm)
LR4322	—	43 (1092mm)	22 (559mm)	19 (483mm)	16 (406mm)	7-5/8 (194mm)	42-3/8 (1076mm)	21-3/8 (543mm)	1,2,MR2,3,4, or 5	Centered	48 (1219mm)
LRAD(Q) Series											
LRAD2918	LRADQ2918	29 (737mm)	18 (457mm)	12 (305mm)	12 (305mm)	**	28-3/8 (721mm)	17-3/8 (441mm)	1,2,MR2,3,4, or 5	Centered	33 (838mm)
LRAD2922	LRADQ2922	29 (737mm)	22 (559mm)	11-1/2 (292mm)	16 (406mm)	**	28-3/8 (721mm)	21-3/8 (543mm)	1,2,MR2,3,4, or 5	Off-Centered	33 (838mm)
LRAD3319	LRADQ3319	33 (838mm)	19-1/2 (495mm)	14 (356mm)	14 (356mm)	**	32-3/8 (822mm)	18-7/8 (479mm)	1,2,MR2,3,4, or 5	Off-Centered	36 (914mm)
LRAD3321	LRADQ3321	33 (838mm)	21-1/4 (540mm)	13-1/2 (343mm)	16 (406mm)	**	32-3/8 (822mm)	20-5/8 (524mm)	1,2,MR2,3,4, or 5	Off-Centered	36 (914mm)
LRAD3722	—	37 (940mm)	22 (559mm)	16 (406mm)	16 (406mm)	**	36-3/8 (924mm)	21-3/8 (543mm)	1,2,MR2,3,4, or 5	Off-Centered	42 (1067mm)

*Length this left to right. Width is front to back.

**Available in 4" (102mm), 4-1/2" (114mm), 5" (127mm), 5-1/2" (140mm), 6" (152mm) and 6-1/2" (165mm) depths. Please consult your sales representative for other depths or modifications.



Model LR(Q) Series Illustrated
 Model LRAD(Q) Series Centered Drain



Model LRAD(Q) Series Off-Centered Drain
 Model Only Illustrated
 † 4-1/2" (114mm) LRAD(Q)2922

In keeping with our policy of continuing product improvement, Elkay reserves the right to change product specifications without notice. Please visit elkay.com for the most current version of Elkay product specification sheets.

This specification describes an Elkay product with design, quality, and functional benefits to the user. When making a comparison of others producers' offerings, be certain these features are not overlooked.