

Features

- Three different ways to access the lock box:
 - Physical keys that cannot be duplicated
 - Access code via digital keypad
 - Remote unlock using Robern IQ Digital Lock Box app (available on iOS and Android)
- Receive notifications in your app about all lock box events
- Integrated tamper detection alerts users of unauthorized access attempts
- Easy installation and setup
- Suitable for damp environments
- Door gasket seals contents from moisture and dust

Construction

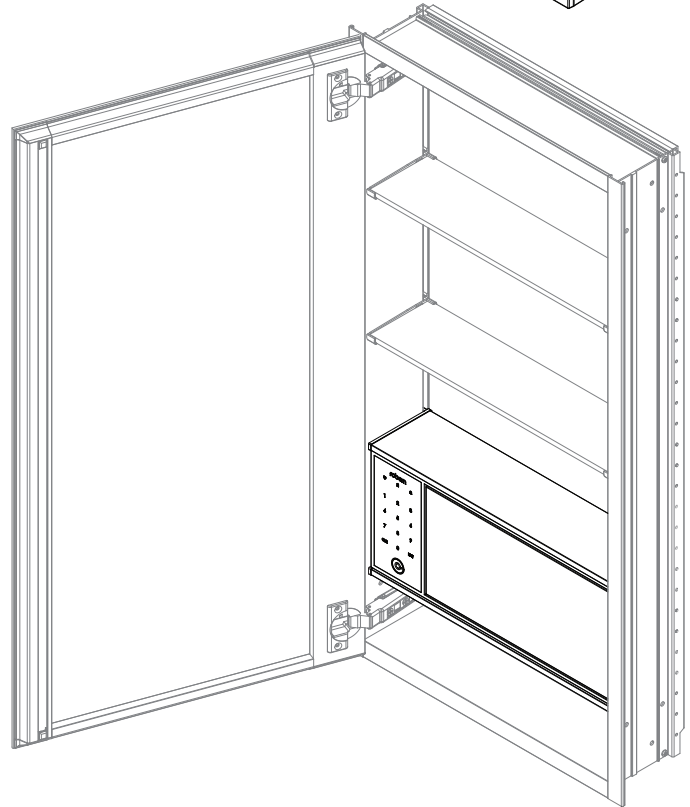
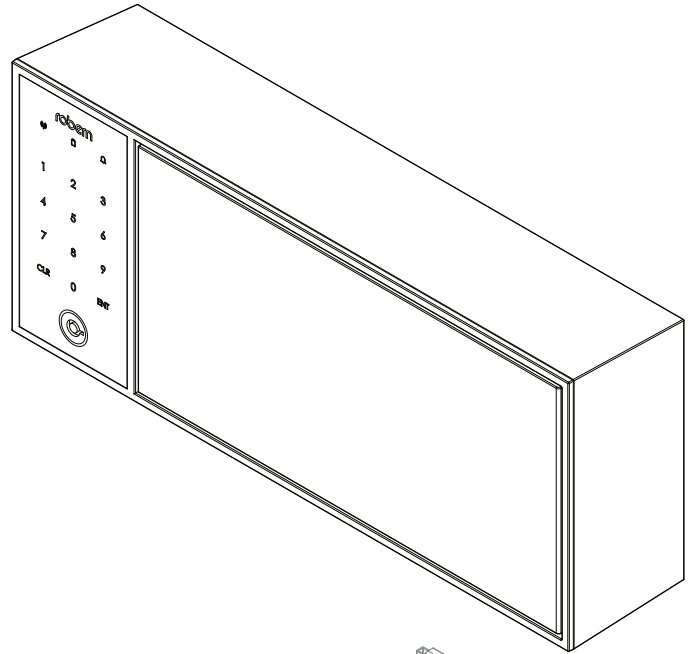
- Anodized aluminum shelf
- Includes easy installation hardware
- Physical Entry Keys (set of two included)
- Requires four AA batteries (not included)

Dimensions

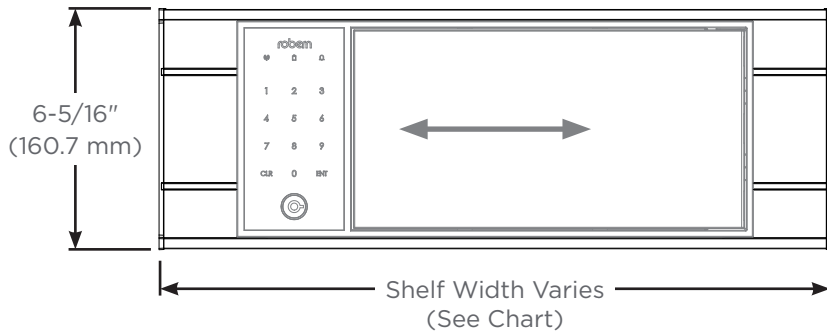
IQ DLB Height: 5-3/4" (144.7 mm)
 IQ DLB Width: 13-17/32" (344 mm)
 IQ DLB Depth: 2-15/16" (74.6 mm)
 Storage Height: 5-1/4" (133.4 mm)
 Storage Width: 9" (228.6 mm)
 Storage Depth: 2-7/16" (62 mm)

Options

- Compatible cabinet lines by size:
 - DLB
 - See page 2 for details*
 - DLB-16
 - M Series (MC16)
 - Portray (P2C16)*
 - Profiles (PC16)
 - PL Series (PL16)
 - DC Series (DC16)
 - DLB-20
 - M Series (MC20)
 - Portray (P2C20)*
 - Profiles (PC20)
 - PL Series (PL20)
 - DC Series (DC20)
 - DLB-24
 - M Series (MC24)
 - Portray (P2C24)*
 - Profiles (PC24)
 - AiO (AC24)
 - Vitality (YC24)
 - PL Series (PL24)
 - DC Series (DC24)
 - DLB-R20
 - R³ Series (RC20)*
 - DLB-R24
 - R³ Series (RC24)*
 - DLB-UPLIFT24
 - Uplift Tech (UC24)*
 - DLB-UPLIFT
 - Uplift Tech (UC30)*
 - Uplift Tech (UC36)*
 - Uplift Tech (UC48)*



*Installation does not require access to exterior of cabinet. Lock box installation height can be adjusted in 1" (25.4mm) increments.

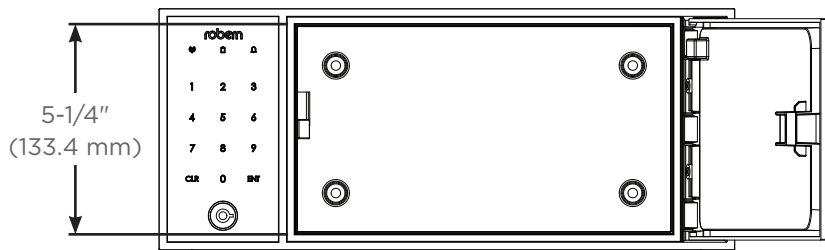


IQ Lock box Shelf Width

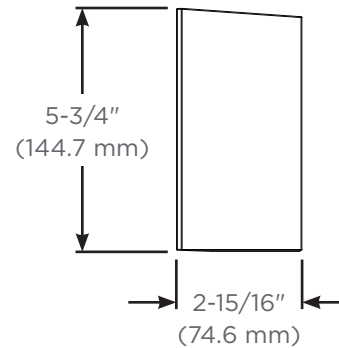
DLB*	13-5/8" (346mm) Min*
DLB-16	13-5/8" (346mm)
DLB-20	17-5/8" (447.7mm)
DLB-24	21-5/8" (549.3mm)
DLB-R20	16-21/32" (422.7mm)
DLB-R24	20-21/32" (524.3mm)
DLB-UPLIFT24	21-3/4" (552.5mm)
DLB-UPLIFT	18" (457.2mm)

*DLB does not include the lock box shelf and is meant to be placed on a cabinet's glass shelf.

Front view



Side view



Top view

