

### Features

- Premium metal construction for durability.
- KOHLER finishes resist corrosion and tarnish.
- For use with the following Wellworth and Highline two-piece toilets: K-3999, K-3979, K-3889, K-3949, K-3998, K-3978, K-3948, K-3997, K-3977 and K-3947.
- Coordinates with other products in the Wellworth Collection.



ADA CSA B651 OBC

### Codes/Standards

ASME A112.18.1/CSA B125.1  
ADA  
ICC/ANSI A117.1  
CSA B651  
OBC

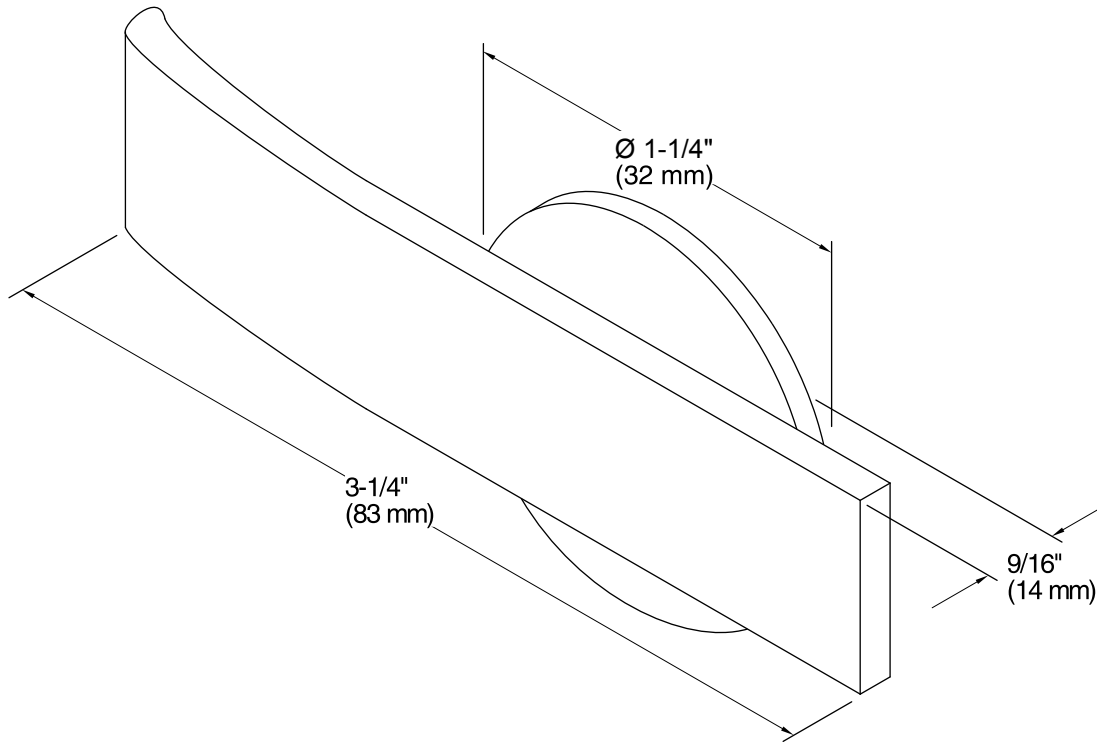
### KOHLER® One-Year Limited Warranty

See website for detailed warranty information.

### Available Colors/Finishes

*Color tiles intended for reference only.*

| Color  | Code | Description              |
|--|------|--------------------------|
|  | SN   | Vibrant® Polished Nickel |
|  | AF   | Vibrant® French Gold     |
|  | PB   | Vibrant® Polished Brass  |
|  | G    | Brushed Chrome           |
|  | BN   | Vibrant® Brushed Nickel  |
|  | BV   | Vibrant® Brushed Bronze  |
|  | 2BZ  | Oil-Rubbed Bronze        |
|  | BL   | Matte Black              |
|  | 0    | White                    |
|  | 96   | Biscuit                  |
|  | RGD  | Vibrant Rose Gold        |
|  | TT   | Titanium                 |
|  | VNT  | Vintage Nickel           |



### Technical Information

All product dimensions are nominal.

### Notes

ADA, OBC, CSA B651 compliant when installed to the specific requirements of these regulations.