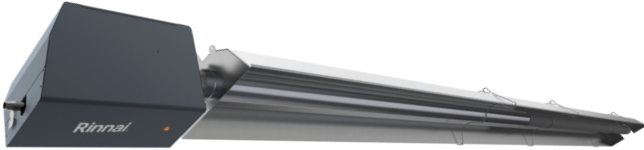


INFRARED TUBE HEATER



HE+ Series

FEATURES

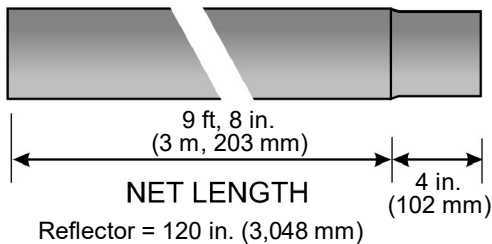
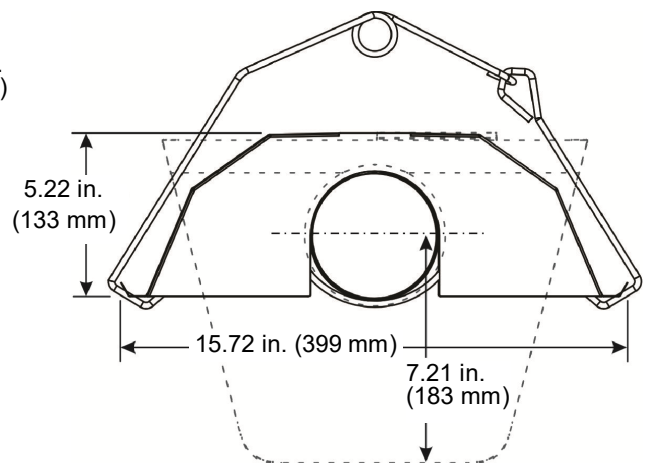
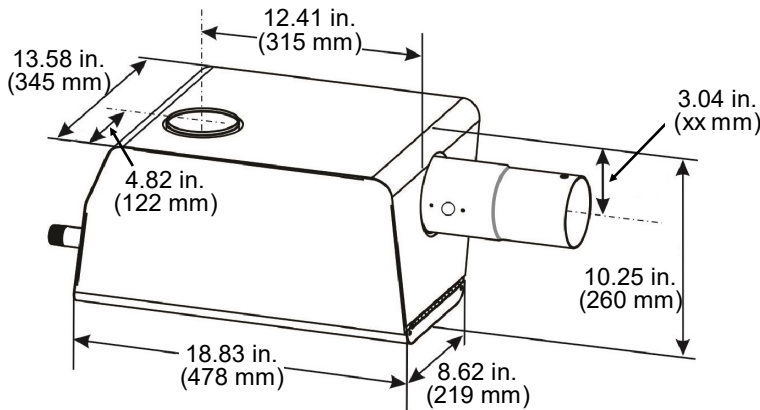
- Models range from 50,000 to 250,000 Btu/h (15 to 73 kW), 20 to 80 ft. (6 to 24 m) length systems, and highest mounting options up to 50 ft. (15 m)
- Emissive coated radiant tubes significantly improve the thermal efficiency of infrared heaters
- High-efficiency EC Motor technology with 85% motor efficiency and advanced whisper-quiet operation
- Factory-installed turbulators and mounted ignitor

HIGH-EFFICIENCY (HE+) SERIES LOW INTENSITY INFRARED GAS TUBE HEATER

Installation Type	<ul style="list-style-type: none"> • Indoor commercial/industrial spaces • Not for residential use
Burner Types	1-Stage, 2-Stage, and Modulating
Gas Types	Natural Gas Optional field conversion kit available for Propane Gas (purchased separately)
Venting	Direct or Indirect Vent
High Altitude Approved	Up to 8,500 ft (2,591 m)
Electrical	120 Volts, 60Hz, 145 VA
Certifications	ANSI Z83.20-2016 / CSA 2.34-2016
Warranty	<ul style="list-style-type: none"> • Burner Assembly: 3 Years • Parts and Components: 3 Years
Optional Accessories	Numerous accessories are available including: TruTemp Thermostat, Low Voltage Digital Thermostat, Line Voltage Thermostat, and many more.

HEATER DIMENSIONS

Dimensions Apply to 1-Stage, 2-Stage and Modulating Models.



1-Stage Models

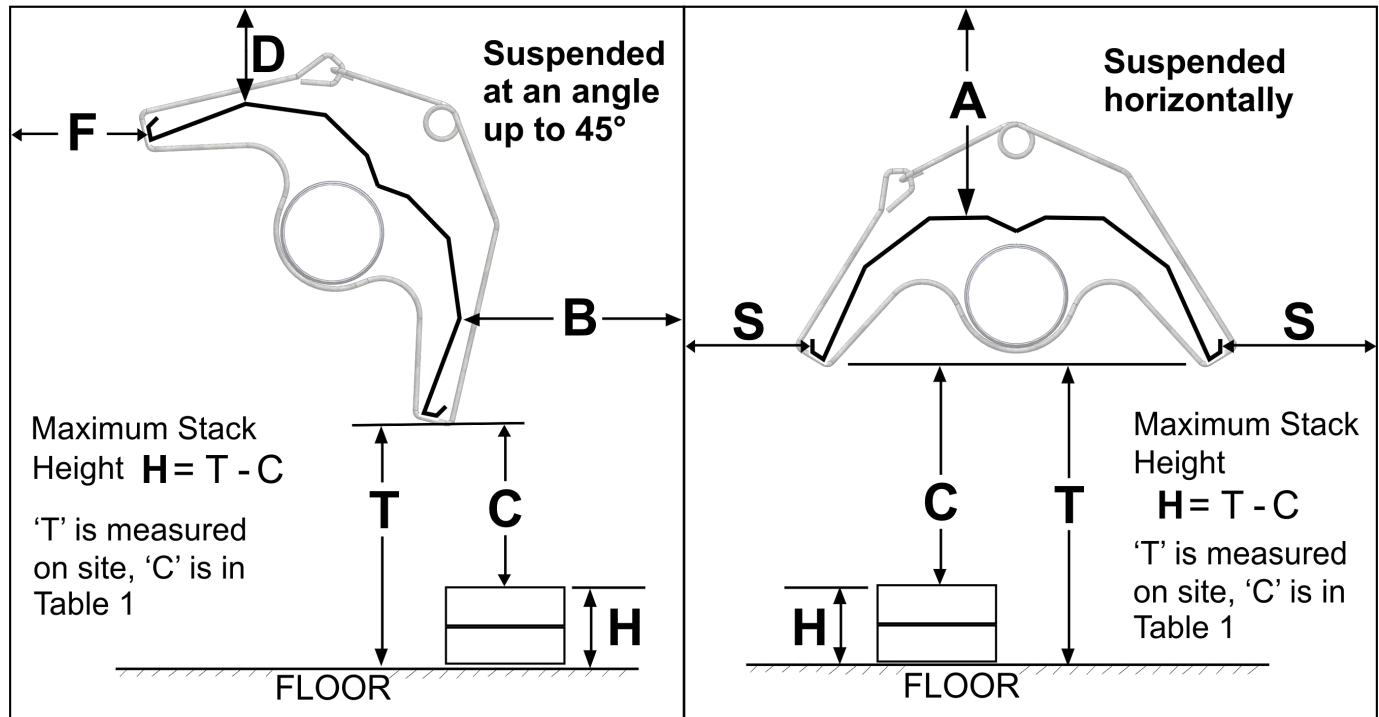
INPUT RATE [MAX BTU/H]	MODEL NUMBER	MODEL TYPE	BURNER TYPE	GAS TYPE	TUBE LENGTH STRAIGHT [FT]	HEATER LENGTH [FT]	APPROX NET WEIGHT [LB]
50,000	RHEP1S5020N	High-Efficiency Plus	1-Stage	NG	20	21' 7"	111
	RHEP1S5030N	High-Efficiency Plus	1-Stage	NG	30	31' 3"	154
	RHEP1S5040N	High-Efficiency Plus	1-Stage	NG	40	40' 11"	197
65,000	RHEP1S6520N	High-Efficiency Plus	1-Stage	NG	20	21' 7"	111
	RHEP1S6530N	High-Efficiency Plus	1-Stage	NG	30	31' 3"	154
	RHEP1S6540N	High-Efficiency Plus	1-Stage	NG	40	40' 11"	197
80,000	RHEP1S8020N	High-Efficiency Plus	1-Stage	NG	20	21' 7"	111
	RHEP1S8030N	High-Efficiency Plus	1-Stage	NG	30	31' 3"	154
	RHEP1S8040N	High-Efficiency Plus	1-Stage	NG	40	40' 11"	197
115,000	RHEP1S11530N	High-Efficiency Plus	1-Stage	NG	30	31' 3"	154
	RHEP1S11540N	High-Efficiency Plus	1-Stage	NG	40	40' 11"	197
	RHEP1S11550N	High-Efficiency Plus	1-Stage	NG	50	50' 7"	239
130,000	RHEP1S13030N	High-Efficiency Plus	1-Stage	NG	30	31' 3"	154
	RHEP1S13040N	High-Efficiency Plus	1-Stage	NG	40	40' 11"	197
	RHEP1S13050N	High-Efficiency Plus	1-Stage	NG	50	50' 7"	239
155,000	RHEP1S15540N	High-Efficiency Plus	1-Stage	NG	40	40' 11"	197
	RHEP1S15550N	High-Efficiency Plus	1-Stage	NG	50	50' 7"	239
	RHEP1S15560N	High-Efficiency Plus	1-Stage	NG	60	60' 3"	282
180,000	RHEP1S18050N	High-Efficiency Plus	1-Stage	NG	50	50' 7"	239
	RHEP1S18060N	High-Efficiency Plus	1-Stage	NG	60	60' 3"	282
	RHEP1S18070N	High-Efficiency Plus	1-Stage	NG	70	69' 11"	324
205,000	RHEP1S20550N	High-Efficiency Plus	1-Stage	NG	50	50' 7"	239
	RHEP1S20560N	High-Efficiency Plus	1-Stage	NG	60	60' 3"	282
	RHEP1S20570N	High-Efficiency Plus	1-Stage	NG	70	69' 11"	324
225,000	RHEP1S22560N	High-Efficiency Plus	1-Stage	NG	60	60' 3"	282
	RHEP1S22570N	High-Efficiency Plus	1-Stage	NG	70	69' 11"	324
	RHEP1S22580N	High-Efficiency Plus	1-Stage	NG	80	79' 7"	366
250,000	RHEP1S25060N	High-Efficiency Plus	1-Stage	NG	60	60' 3"	282
	RHEP1S25070N	High-Efficiency Plus	1-Stage	NG	70	69' 11"	324
	RHEP1S25080N	High-Efficiency Plus	1-Stage	NG	80	79' 7"	366

2-Stage Models

INPUT RATE [MAX BTU/H]	MODEL NUMBER	MODEL TYPE	BURNER TYPE	GAS TYPE	TUBE LENGTH STRAIGHT [FT]	HEATER LENGTH [FT]	APPROX NET WEIGHT [LB]
50,000	RHEP2S5020N	High-Efficiency Plus	2-Stage	NG	20	21' 7"	111
	RHEP2S5030N	High-Efficiency Plus	2-Stage	NG	30	31' 3"	154
65,000	RHEP2S6520N	High-Efficiency Plus	2-Stage	NG	20	21' 7"	111
	RHEP2S6530N	High-Efficiency Plus	2-Stage	NG	30	31' 3"	154
80,000	RHEP2S8020N	High-Efficiency Plus	2-Stage	NG	20	21' 7"	111
	RHEP2S8030N	High-Efficiency Plus	2-Stage	NG	30	31' 3"	154
115,000	RHEP2S11530N	High-Efficiency Plus	2-Stage	NG	30	31' 3"	154
	RHEP2S11540N	High-Efficiency Plus	2-Stage	NG	40	40' 11"	197
130,000	RHEP2S13030N	High-Efficiency Plus	2-Stage	NG	30	31' 3"	154
	RHEP2S13040N	High-Efficiency Plus	2-Stage	NG	40	40' 11"	197
155,000	RHEP2S15540N	High-Efficiency Plus	2-Stage	NG	40	40' 11"	197
	RHEP2S15550N	High-Efficiency Plus	2-Stage	NG	50	50' 7"	239
180,000	RHEP2S18050N	High-Efficiency Plus	2-Stage	NG	50	50' 7"	239
	RHEP2S18060N	High-Efficiency Plus	2-Stage	NG	60	60' 3"	282
205,000	RHEP2S20550N	High-Efficiency Plus	2-Stage	NG	50	50' 7"	239
	RHEP2S20560N	High-Efficiency Plus	2-Stage	NG	60	60' 3"	282
225,000	RHEP2S22560N	High-Efficiency Plus	2-Stage	NG	60	60' 3"	282
	RHEP2S22570N	High-Efficiency Plus	2-Stage	NG	70	69' 11"	324
250,000	RHEP2S25060N	High-Efficiency Plus	2-Stage	NG	60	60' 3"	282
	RHEP2S25070N	High-Efficiency Plus	2-Stage	NG	70	69' 11"	324

Modulating Models

INPUT RATE [MAX BTU/H]	MODEL NUMBER	MODEL TYPE	BURNER TYPE	GAS TYPE	TUBE LENGTH STRAIGHT [FT]	HEATER LENGTH [FT]	APPROX NET WEIGHT [LB]
80,000 / 60,000	RHEPM8020N	High-Efficiency Plus	Modulating	NG	20	21' 7"	111
	RHEPM8030N	High-Efficiency Plus	Modulating	NG	30	31' 3"	154
115,000 / 72,000	RHEPM11530N	High-Efficiency Plus	Modulating	NG	30	31' 3"	154
	RHEPM11540N	High-Efficiency Plus	Modulating	NG	40	40' 11"	197
155,000 / 100,000	RHEPM15540N	High-Efficiency Plus	Modulating	NG	40	40' 11"	197
	RHEPM15550N	High-Efficiency Plus	Modulating	NG	50	50' 7"	239
205,000 / 125,000	RHEPM20550N	High-Efficiency Plus	Modulating	NG	50	50' 7"	239
	RHEPM20560N	High-Efficiency Plus	Modulating	NG	60	60' 3"	282
250,000 / 160,000	RHEPM25060N	High-Efficiency Plus	Modulating	NG	60	60' 3"	282
	RHEPM25070N	High-Efficiency Plus	Modulating	NG	70	69' 11"	324



Input Rate [BTUH]	SUSPENDED AT AN ANGLE UP TO 45 DEGREES				SUSPENDED HORIZONTALLY		
	D inches (mm)	B inches (mm)	F inches (mm)	C inches (mm)	A inches (mm)	S inches (mm)	C inches (mm)
50,000	4 (102)	3 (76)	40 (1016)	44 (1118)	4 (102)	20 (508)	42 (1067)
65,000	4 (102)	3 (76)	48 (1219)	50 (1270)	4 (102)	22 (559)	52 (1321)
80,000	5 (127)	3 (76)	54 (1372)	60 (1524)	5 (127)	24 (610)	62 (1575)
115,000	5 (127)	3 (76)	62 (1575)	70 (1778)	5 (127)	26 (660)	74 (1880)
130,000	7 (178)	3 (76)	64 (1626)	72 (1829)	6 (152)	28 (711)	78 (1981)
155,000	7 (178)	4 (102)	66 (1676)	74 (1880)	6 (152)	30 (762)	80 (2032)
180,000	8 (203)	4 (102)	72 (1829)	76 (1930)	7 (178)	36 (914)	84 (2134)
205,000	10 (254)	6 (152)	74 (1880)	78 (1981)	8 (203)	40 (1016)	88 (2235)
225,000	12 (305)	6 (152)	78 (1981)	78 (1981)	12 (305)	42 (1067)	92 (2337)
250,000	14 (356)	6 (152)	82 (2083)	78 (1981)	12 (305)	44 (1118)	95 (2413)

* Clearances are measured from the reflector. The clearance to combustible materials represents the minimum distance that must be maintained between the heater and a nearby surface. The stated clearance to combustibles represents a surface temperature of 90F° (50C°) above room temperature.