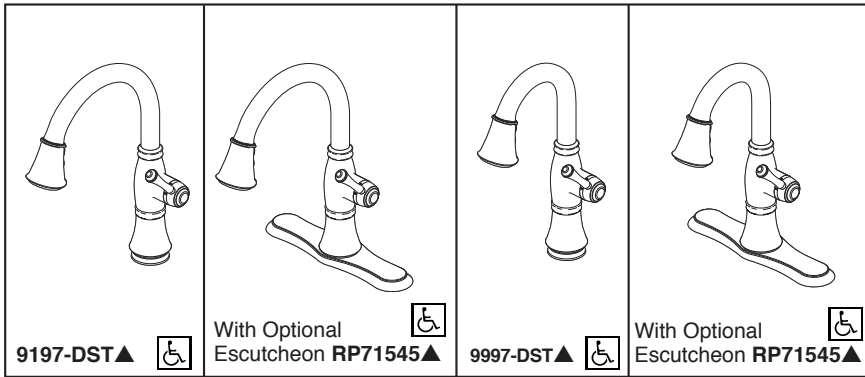




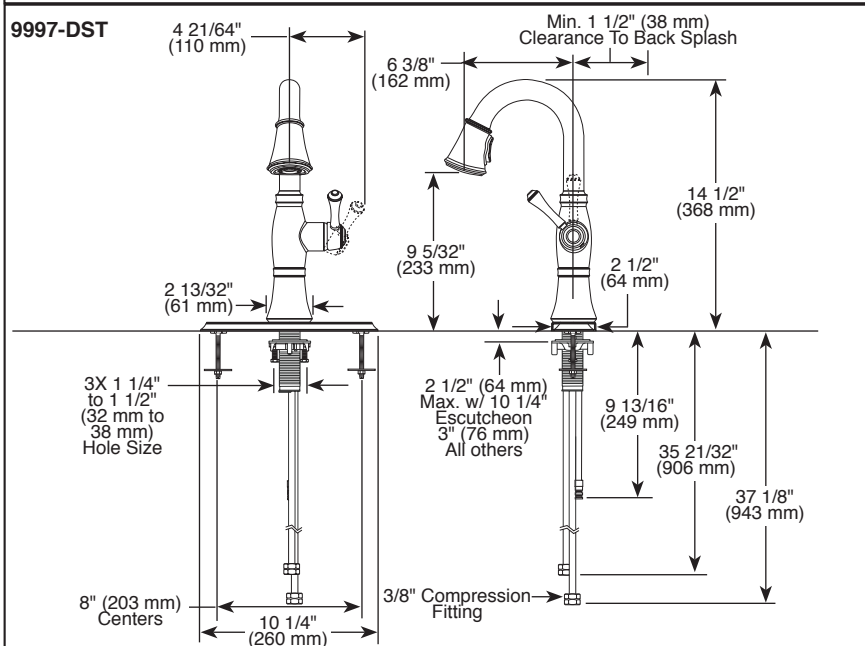
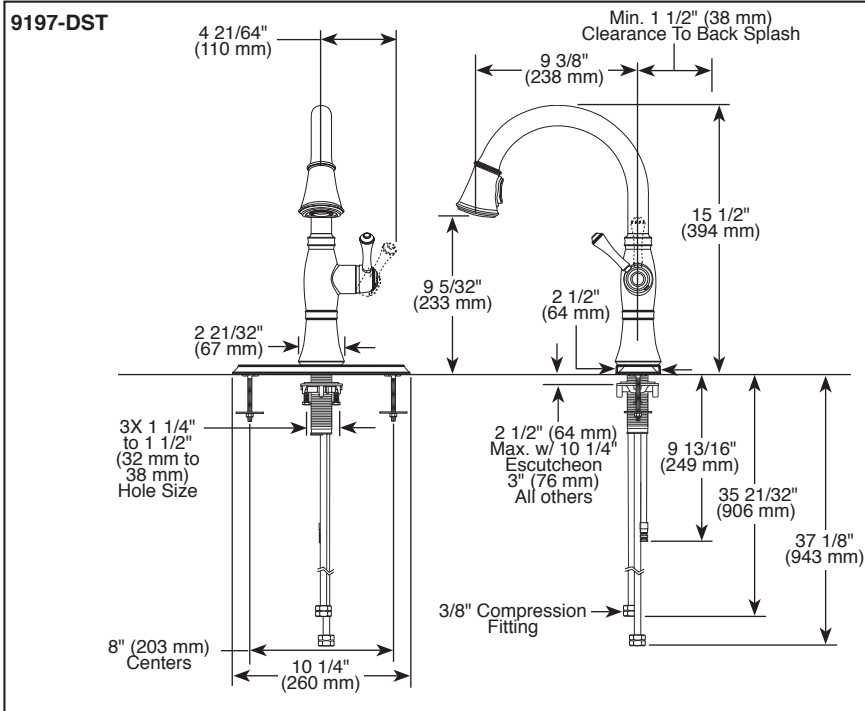
KITCHEN FAUCETS

- Cassidy™ Collection
- Single Handle Deck Mount
- 2-Function Pull-Down Sprayer
- Single or 3 Hole Sink Applications
- Integrated Innoflex® Supply Lines
- MagnaTite® Magnetic Docking
- DIAMOND Seal® Technology



Submitted Model No.: _____

Specific Features: _____



STANDARD SPECIFICATIONS:

- 360° rotating spout.
- Diamond embedded ceramic disc cartridge.
- Touch-Clean® 2-function wand operates in stream or spray mode.
- 62" braided hose ensures smooth operation.
- Free-Moving hose weight provides maximum reach.
- 2 1/2" maximum deck thickness.
- 32" (minimum) Innoflex® supply lines with 3/8" compression fittings.
- Hot/cold markings on handle to indicate temperature.
- ADA complaint lever handle.
- Euro-Motion handle only rotates forward to eliminate backsplash interference.
- 1.8 gpm max flow rate @ 60 psi.
- Order RP61607 for 1.5 gpm hose adapter.
- Order RP71545 for optional escutcheon.
- Order RP71543 for optional coordinating soap dispenser.

WARRANTY

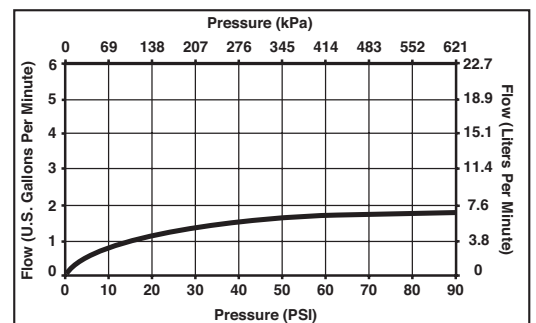
- Lifetime limited warranty on parts (other than electronic parts and batteries) and finishes: or, for commercial users, for 5 years from date of purchase.
- 5 year limited warranty on electronic parts (other than batteries); or, for commercial users, for 1 year from the date of purchase. No warranty is provided on batteries.

COMPLIES WITH:

- ASME A112.18.1 / CSA B125.1
- ASME A112.18.6

Indicates compliance to ICC/ANSI A17.1

- Verified compliant with .25% weighted average Pb content regulations.



55 E 111th Street, Indianapolis, Indiana 46280
 350 South Edgeware Road, St. Thomas, ON N5P 4L1
 © 2013 Masco Corporation of Indiana

▲ Designate proper finish suffix

Delta reserves the right (1) to make changes in specifications and materials, and (2) to change or discontinue models, both without notice or obligation. Dimensions are for reference only. See current full-line price book or www.deltafaucet.com for finish options and product availability.