

**CODE NUMBER**

1071000

**DESCRIPTION**

Vitreous China Waterfree Urinal with SloanTec® Glaze.

**DETAILS**

- Nominal Dimensions: 14 3/8" x 19 5/8" x 26 3/4" (365 x 498 x 679mm)

**FEATURES**

- Complete, vitreous china water free urinal.
- Permanent SloanTec™ hydrophobic antimicrobial glaze inhibits the growth and buildup of germs, bacteria, mold, mildew and mineral scale on the surfaces
- White Vitreous China
- Cartridge Housing
- One piece Wall bracket with Anchors Included
- Uni-coupler (for new and retrofit installations)
- Drain Line test cap
- † Cartridges sold separately
- Cartridge Kit - Engineered to last for at least 7000 uses
- Touch-free operation
- Uses no water
- Mechanical-free design
- Patented, sealing locking cartridge
- Smooth, non-porous surfaces
- Improved hygiene and safety
- Reduced water and sewer costs
- Water supply piping not required
- Odor-free
- Vandal Resistant
- Minimal care and easy cleaning

**CARTRIDGE SPECIFICATIONS**

- Enhanced patented design maximizes life, prevents sealant loss and virtually eliminates odor
- Biodegradable sealant liquid
- Vandal resistant locking design
- 20% less plastic than previous designs
- Average of 7,000 uses per cartridge which can save each urinal up to 40,000 gallons of water annually
- Replacement cartridges sold separately

**DOWNLOADS**

- [WES-1000 Installation Instructions](#)
- [WES-1000 \(French\) Installation Instructions](#)
- [WES-1000 \(Spanish\) Installation Instructions](#)
- [Hybrid & Waterfree Urinal Series Repair and Maintenance Guide](#)
- [Cleaning and Cartridge Replacement Repair and Maintenance Guide](#)
- [Additional Downloads](#)



**COMPLIANCES & CERTIFICATIONS**



(ADA Compliant, BAA Compliant, BREEAM Water Credit, EPD, Green Globes Water Credit, HPD, LBC Credit, LEED V4 Water Efficiency Credit, Satisfies LEED Credits)

**NOTES**

All information contained within this document subject to change without notice.

All vitreous china dimensions shown in these drawings are nominal and not to scale. Dimensions can vary within the tolerances established in the governing ASME A112.19.2/CSA B45.1 standard. It is important to consider this when planning rough-in and plumbing layouts.

DO NOT install on copper DWV due to copper's susceptibility to corrosion.

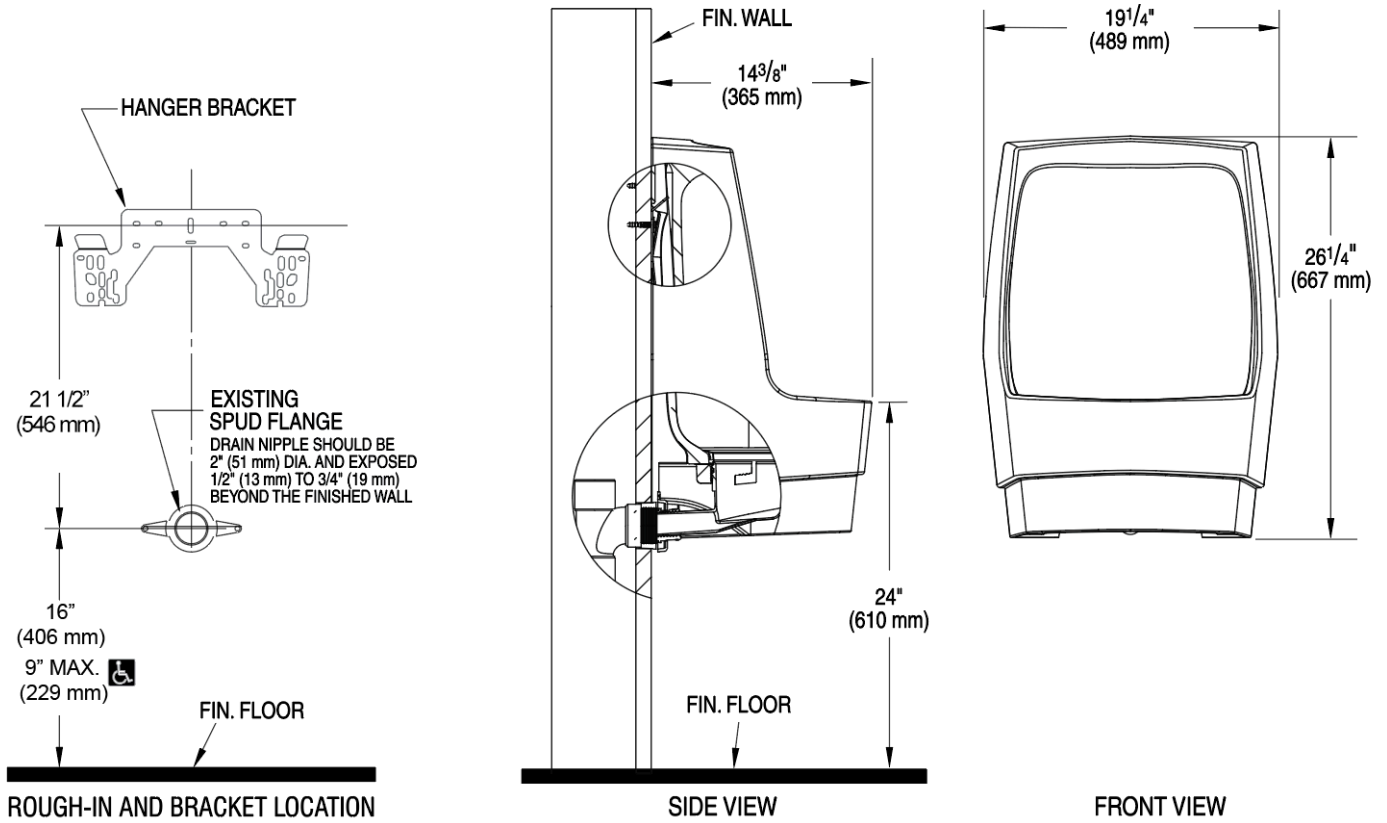
**WARRANTY**

[View Warranty Information](#)

**Sloan 10500 Seymour Ave, Franklin Park, IL 60131**

Phone: 800.982.5839 • Fax: 800.447.8329 • [sloan.com](http://sloan.com)

**ROUGH-IN**



NOTE: ADA urinal rim height requirements allow all heights 17" and below. Sloan strongly recommends roughing in the drain to achieve a 16 1/2" rim height or less to ensure compliance.