

Features

- Ridged cylindrical glass shades combine with faceted metals in vintage-inspired fixtures elegant enough for any room.
- Coordinates with faucets in the Occasion collection.
- Requires three bulbs with medium (E26) base; T10 bulb recommended (sold separately).
- Suitable for damp locations, per UL 1598.
- Includes installation hardware.

Material

- Premium metal and glass construction.
- Manufactured with quality materials and complemented with a meticulous finishing process.
- Durable finishes engineered to last and designed to coordinate with KOHLER faucet finishes.

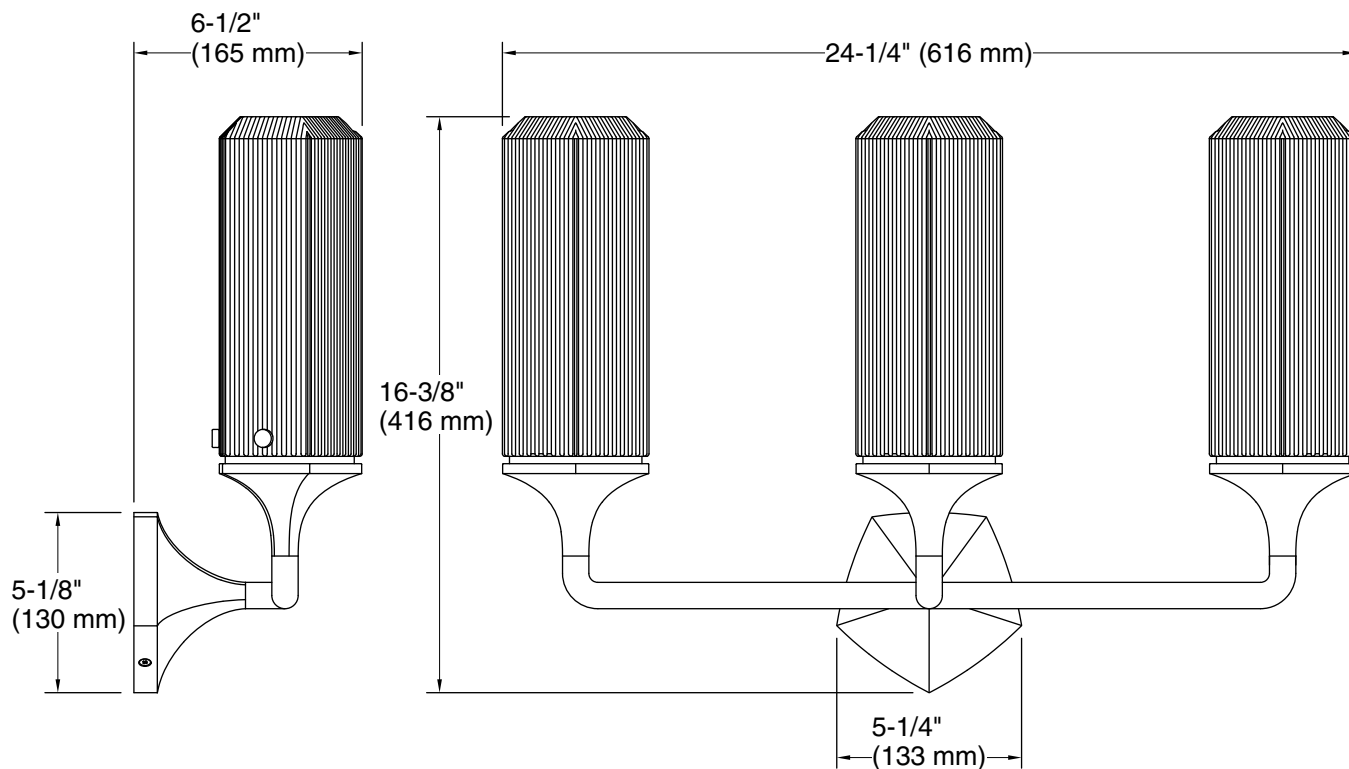


Codes/Standards

UL 1598
CSA C22.2 No. 250.0

KOHLER® Indoor Lighting Fixtures Limited Warranty

See website for detailed warranty information.



Required Electrical Service

One circuit required.

120 V, 60 Hz

Technical Information

All product dimensions are nominal.

Installation Type: Wall-mount
Material: Steel, Zinc, Glass
Number of Lights: 3
Lighting Type: Socket-based
Socket Type: E-26 Medium
Number of Shades: 3
Shade Type: Glass - clear