

### Features

- Innovative roller design simplifies installation and provides out-of-plumb adjustability while glass is installed.
- Cushioned center guide provides smooth, quiet sliding action.
- Vertical blade handles accentuate the contemporary style.
- CleanCoat®+ glass coating creates a hydrophobic barrier that repels water, soap scum, and residue, saving time and protecting shower doors 10 times longer than original CleanCoat. (Based on 2021 internal wear/abrasion testing using a microfiber cloth.)
- Tempered glass ensures enhanced safety and durability.

### Technology

- Frameless ¼" (13 mm) frosted tempered glass.

### Installation

- Sliding shower door.
- Not for use in hospitality.

### Included Components

Additional Components:  
Hardware kit



### Codes/Standards

CPSC 16CFR 1201  
ANSI Z97.1

### KOHLER® One-Year Limited Warranty

See website for detailed warranty information.

### Available Colors/Finishes

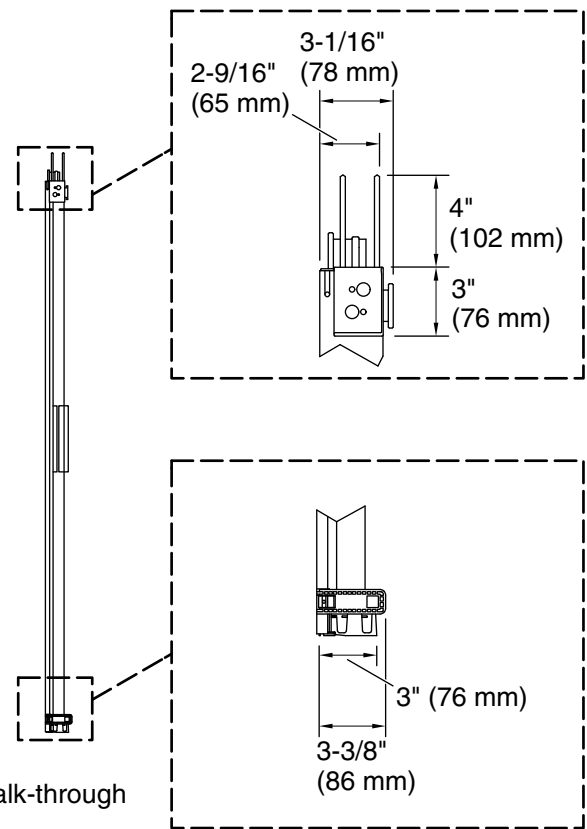
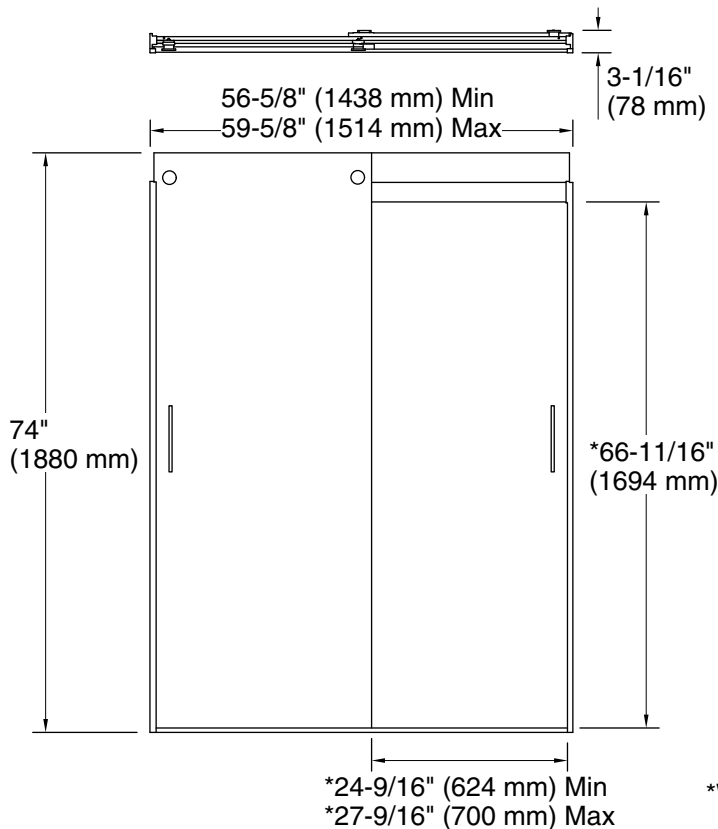
*Color tiles intended for reference only.*

| Color   | Code | Description             |
|---|------|-------------------------|
|  | SH   | Bright Silver           |
|  | MX   | Matte Nickel            |
|  | ABV  | Anodized Brushed Bronze |
|  | ABZ  | Anodized Dark Bronze    |
|  | BL   | Matte Black             |

### Available Glass Options

| Code | Description |
|------|-------------|
|------|-------------|

|         |         |
|---------|---------|
| Frosted | Frosted |
|---------|---------|



## Technical Information

All product dimensions are nominal.

|                            |                              |
|----------------------------|------------------------------|
| Installation type:         | For shower base installation |
| Opening Width - Min:       | 56-5/8" (1438 mm)            |
| Opening Width - Max:       | 59-5/8" (1514 mm)            |
| Walk-through - Min:        | 24-9/16" (624 mm)            |
| Walk-through - Max:        | 27-9/16" (700 mm)            |
| Base-To-Wall Radius - Max: | 1/2" (13 mm)                 |
| Glass thickness:           | 1/4" (6 mm)                  |
| Glass coating:             | CleanCoat®                   |

## Notes

Install this product according to the installation guide.

If replacing a shower door, the narrow wall jamb design of this door may not cover the existing shower door holes.

The vertical opening should be a minimum of 76-1/2" (1943 mm) to allow for installation clearance.