



# GERBER

VITREOUS CHINA

## TOILET 25-033

LAVATORIES

TOILETS

BIDETS / URINALS

CAST IRON



### NORTH POINT™ 1.28 Spud Bowl

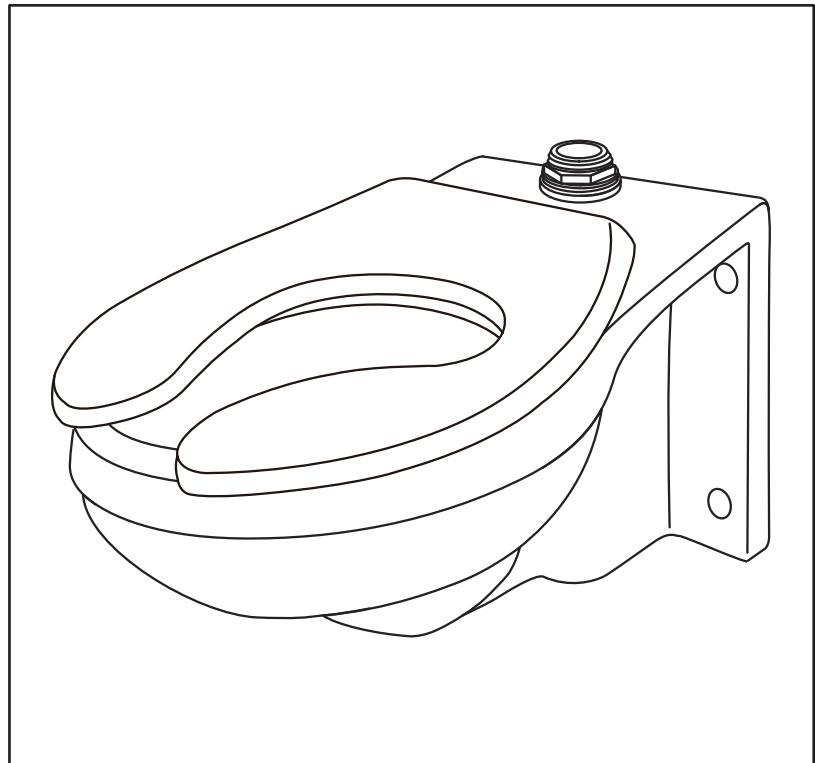
Spud Bowl,  
5 1/4" to 7 1/4"  
Vertical Rough-in

#### Features:

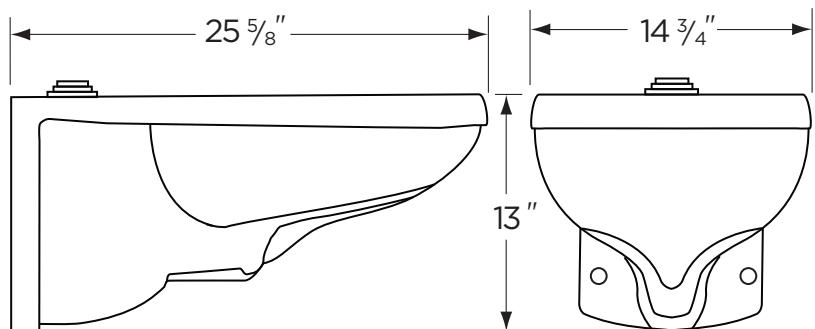
- 1.28 gpf/4.8 Lpf high efficiency wall hung bowl
- Elongated bowl
- Top Spud
- Siphon Jet
- 1 1/2" spud for flushometer valve

#### Dimensions:

- Height ..... 13"
- Width ..... 14 3/4"
- Depth ..... 25 5/8"
- Rough-in ..... 5 1/4"  
(For Handicapped & Elderly  
Installation Rough-in is 7 1/4")
- Water Surface from Rim ..... 5"
- Trapway (min) ..... 2"
- Water Surface ..... 10" x 8 1/8"
- Water Seal ..... 2 1/8"
- Shipping Weight ..... 42.5 lbs



Seat not included



RECOMMENDED STATIC WATER PRESSURE FOR PLUMBING FIXTURES IS 20 - 80 PSI STATIC

THIS FIXTURE QUALIFIES ACCORDING TO ASME TEST PROCEDURES AS A HIGH-EFFICIENCY WATER CLOSET WITH AN AVERAGE CONSUMPTION OF 1.28 gpf (4.8 Lpf) OR LESS.

HIGH EFFICIENCY TOILET  
**HET**

www.gerberonline.com

Job Name	
Date	
Model Specified	
Quantity	
Customer	
Contractor	
Architect/engineer	



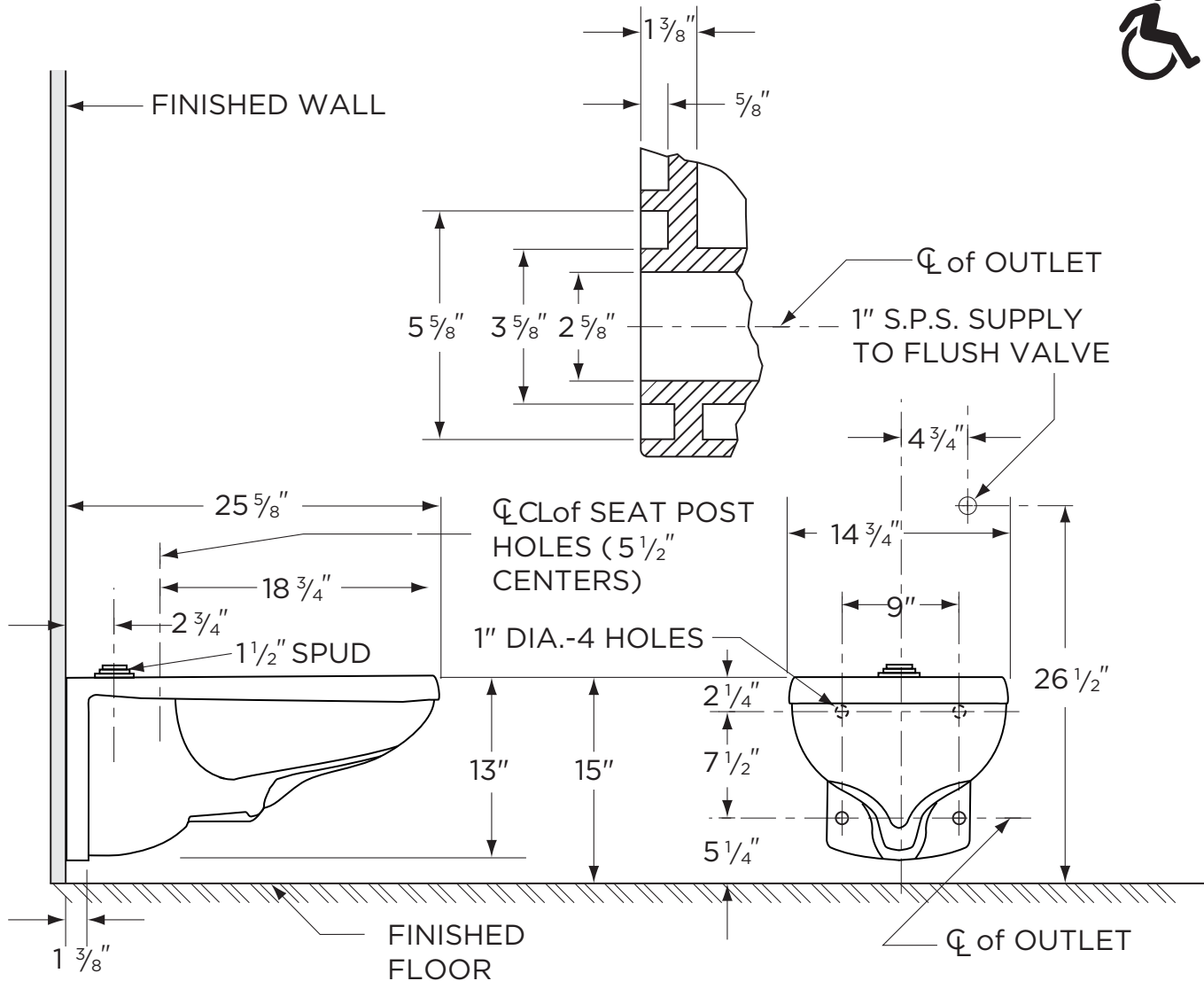
# GERBER

1.28 gpf (4.8 Lpf) North Point™

1.28 SPUD BOWL

25-033

Spud Bowl, 5 1/4" to 7 1/4" Vertical Rough-in



**NOTES:**

All dimensions are in inches.

\*These measurements may vary. Use flush valve manufacturer's recommended rough-in and consult local code requirements. Suggest 1/16" clearance between face of wall and back of bowl.

Carrier fitting as required to be furnished by others. Flush valve not included and must be ordered separately.

Illustrations may not be drawn to scale.

**PLUMBERS NOTE:**

Provide suitable reinforcement for all wall supports. Rough height 15" may vary with architects requirements. For Handicapped and Elderly installation rough height will be 17".

**IMPORTANT:**

Dimensions of fixtures are nominal and may vary within the range of tolerances established by ASME Standard A 112.19.2.

THIS FIXTURE QUALIFIES ACCORDING TO ASME TEST PROCEDURES AS A HIGH-EFFICIENCY WATER CLOSET WITH AN AVERAGE CONSUMPTION OF 1.28 gpf (4.8 Lpf) OR LESS.