



### Features

- Deep rectangular bath with modern aesthetic
- Durable high-gloss finish provides a smooth, shiny surface that is easy to clean
- Integral lumbar support
- Integral flat apron with minimalist design
- Integral flange provides superior water containment and simplifies alcove installation
- Textured bottom surface

### Material

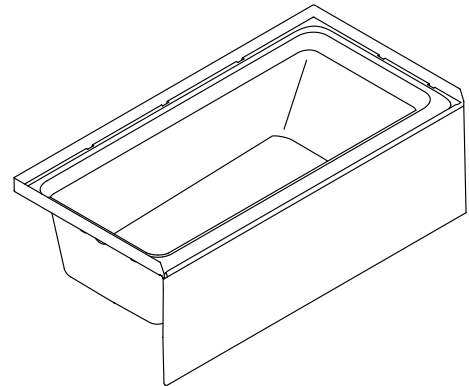
- Made from solid Vikrell® material for strength, durability, and lasting beauty

### Installation

- Alcove
- Left drain

### Recommended Products/Accessories

- 71224100 60" x 32" Vikrell® bath/shower wall set
- 71324100 60" x 32" Vikrell® bath/shower wall set
- 71424100 60" x 32" Vikrell® bath/shower wall set
- 71524100 60" x 32" Vikrell® bath/shower wall set
- 71607104 16" x 22" bath seat



**ADA**

### Codes/Standards

CSA B45.5/IAPMO Z124  
ASTM E162  
ASTM E662  
ADA  
ICC/ANSI A117.1


### STERLING® Vikrell® or Acrylic Baths and Shower Bases Ten-Year Limited Warranty

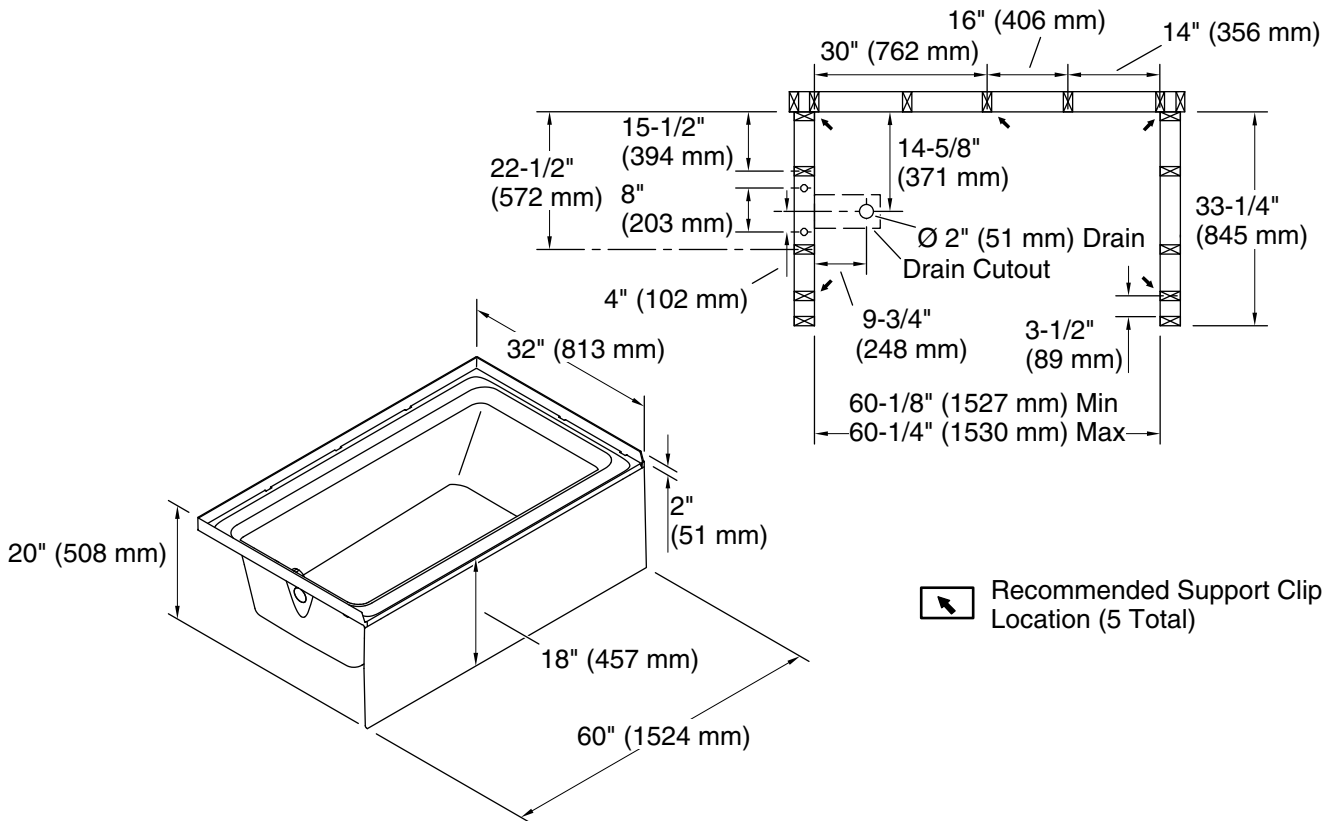
See website for detailed warranty information.


### Available Colors/Finishes

*Color tiles intended for reference only.*

Color	Code	Description
-------	------	-------------

	0	White
---	---	-------



 Recommended Support Clip Location (5 Total)

### Technical Information

All product dimensions are nominal.

Drain location:	Left
Basin area, bottom:	44" x 20" (1118 mm x 508 mm)
Basin area, top:	53" x 24-1/2" (1346 mm x 622 mm)
Weight:	58.8 lbs (26.7 kg)
Water depth:	13-1/4" (337 mm)
Water capacity:	55.8 gal (211.2 L)
Minimum flat for door:	2-3/4" (70 mm)

### Notes

Install this product according to the installation instructions.

ADA compliant when installed to the specific requirements of these regulations.