

MultiChoice® Universal Pressure Balance Tub and Shower

TECK®
COMMERCIAL



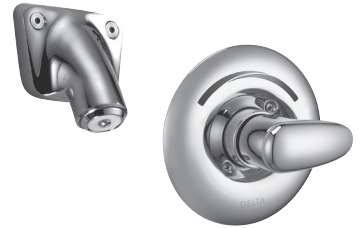
Specification: (example)

- R10000-UNWS** ROUGH-IN only
 - Concealed in-wall MultiChoice® universal valve
 - Back-to-back capability, Integral screwdriver stops
 - **Heavy Duty forged brass** valve body
 - 1/2" Universal inlets to accept 1/2" copper, 1/2" iron pipe, PEX or CPVC adaptors
 - 1/2" Male thread inlets/outlets
 - T13H** _____ **FINISH TRIM ONLY:**
 - Pressure Balancing cartridge with checks
 - Polished chrome plated finish
 - Non-removeable red/blue temperature markings
- and ... with ... (add product variation)
 with ... (add shower)
 with ... (add valve handle)

T13H153



T13H162



Engineer/Architect Approval










Model Specified:

Approval:

Date:

TUB AND SHOWER DESCRIPTION	PRODUCT NO.
ROUGH-IN Valve	R10000-UNWS
FINISH TRIM Only	T13H



PRODUCT VARIATION	SHOWER	HANDLE
0 <input type="checkbox"/>	0 Specify "0" When No Shower Outlet Required <input type="checkbox"/>	0 <input type="checkbox"/>
1 Shower Valve Only  <input type="checkbox"/>	1 <input type="checkbox"/>	1 <input type="checkbox"/>
2 Tub and Shower  <input type="checkbox"/>	2 3-Function Touch-Clean® Showerhead, Arm, Set Screw Flange  <input type="checkbox"/>	2 85mm (3.33") Metal Lever Handle  <input type="checkbox"/>
3 <input type="checkbox"/>	3 Showerhead, Arm, Set Screw Flange  <input type="checkbox"/>	3 57mm (2.24") Lever Blade Handle  <input type="checkbox"/>
4 <input type="checkbox"/>	4 <input type="checkbox"/>	
5 <input type="checkbox"/>	5 Handshower with 2 Check Valves, 610mm (24") S/S Bar with ADA Slide  <input type="checkbox"/>	
6 <input type="checkbox"/>	6 30° Vandal Resistant Cast Wallmount Showerhead  <input type="checkbox"/>	
7 <input type="checkbox"/>	7 <input type="checkbox"/>	
8 <input type="checkbox"/>	8 H ₂ Okinetic Technology® Showerhead, Arm, Set Screw Flange  <input type="checkbox"/>	
9 <input type="checkbox"/>	9 <input type="checkbox"/>	

SHOWER FLOW RATES		
SHOWER #	ACTUAL @ 45 PSI (310 kPa)	MAXIMUM @ 80 PSI (552 kPa)
2	1.7 gpm (6.4 L/min)	2.0 gpm (7.6 L/min)
3	1.13 gpm (4.3 L/min)	1.5 gpm (5.7 L/min)
5	1.13 gpm (4.3 L/min)	1.5 gpm (5.7 L/min)
6	1.4 gpm (5.3 L/min)	1.5 gpm (5.7 L/min)
8	1.5 gpm (5.7 L/min)	1.5 gpm (5.7 L/min)

See Page DSP-B-R10000-HDF for additional Rough-In options. Refer to www.specselect.com for individual models.

Note: Use this page front and back as a product submittal sheet.

Delta reserves the right (1) to make changes in specifications and materials, and (2) to change or discontinue models, both without notice or obligation. Dimensions are for reference only. See current full-line price book or www.specselect.com for finish options and product availability.

DSP-T13H1 Rev. G



TECK[®]
COMMERCIAL

MultiChoice[®] Universal Pressure Balance Tub and Shower

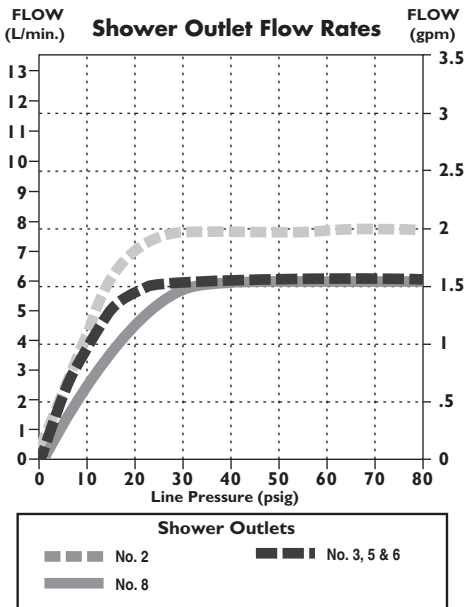
Approvals:

- ASME A112.18.1/CSA B125.1
- Indicates ADA compliance to ICC/ANSI A117.1/ADA
- Pressure Balance Valve ASSE 1016
- Handshower back flow protection provided by two integral certified check valves in series, which operate independently, ASME A112.18.3

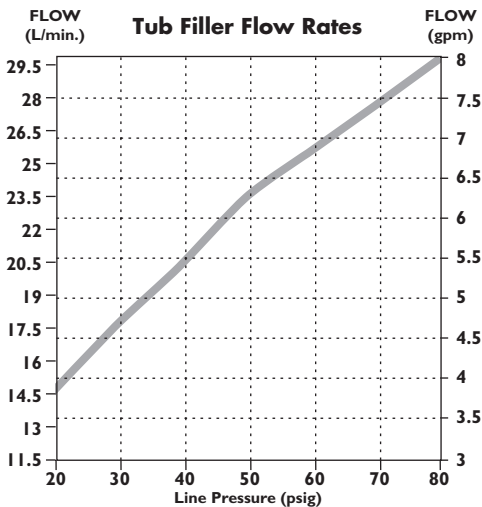
(Contact Delta Representative for State and/or Local Approvals.)



FLOW RATE vs PRESSURE

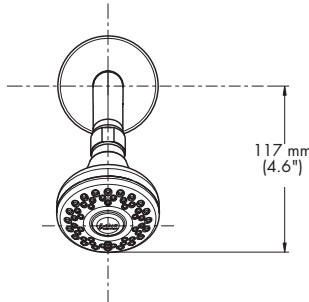


FLOW RATE vs PRESSURE

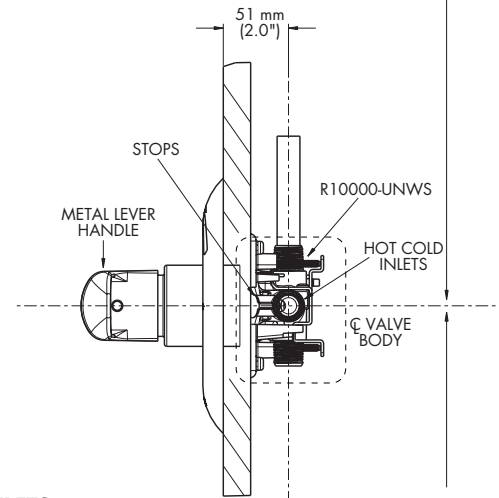
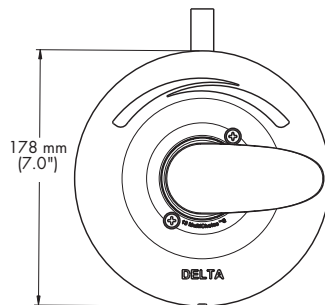
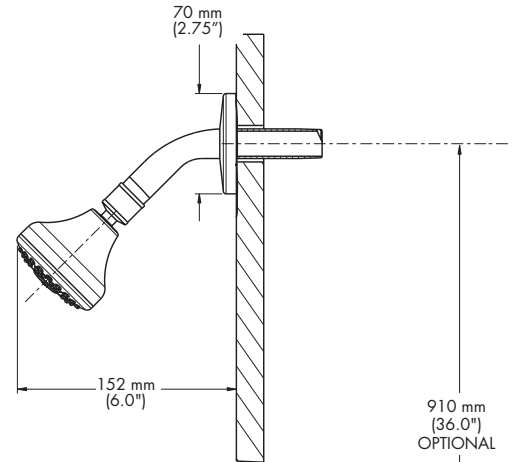


R10000-UNWS Rough-In with T13H132 Trim

FRONT VIEW



SIDE VIEW



P/B VALVE INLETS:

- 1/2" Universal inlets accept 1/2" copper,
- 1/2" Iron pipe, PEX or CPVC adaptors
- 1/2" Male thread inlets/outlets

PAUSE WARNING - FOR SHOWER #5 AND FOR ADD-ON OPTIONAL SHOWERHEAD #2

Plumbing Codes require that showerheads and handshowers provide a small but continuous flow of water (trickle) when in "PAUSE" mode. Because of this continuous flow, in certain circumstances pressure variations in the water line and/or changes in the position of the shower temperature control handle while in "PAUSE" mode could result in dramatic changes to the temperature of the water when the shower head or hand shower is returned to the "ON" position.

ALWAYS point the shower head away from yourself when returning to the "ON" position and feel the water with your hand before resuming your shower to ensure the water flow is not too hot or too cold. DO NOT allow children or others who might not understand this warning to use the "PAUSE" function.

Note: Measurements may vary ± 6mm (0.25")

Refer to www.specselect.com for individual models.

Note: Use this page front and back as a product submittal sheet.