

**BATH FAUCET TRIM  
K-T10278**

ADA

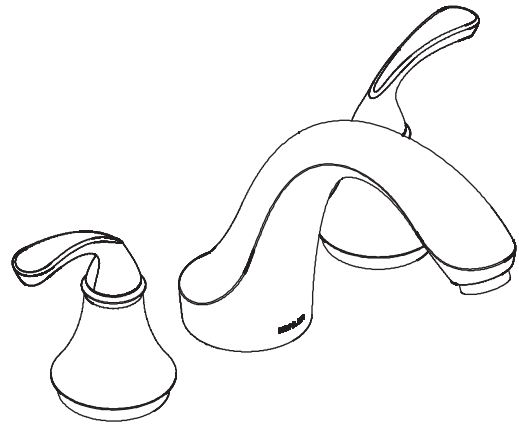
**Features**

- Brass construction
- Bath- or deck-mount
- ADA compliant lever handles
- 7" (178 mm) non-diverter spouts with slip-fit connection

**Codes/Standards Applicable**

Specified model meets or exceeds the following:

- ASME A112.18.1/CSA B125.1
- ADA





**Colors/Finishes**

- CP: Polished Chrome
- Other: Refer to Price Book for additional colors/finishes

**Accessories**

- NA: None applicable

**Specified Model**

Model	Description	 <small>ADA CSA B651 OBC</small>		 <small>ADA CSA B651 OBC</small>	
K-T10278-4	Forte® bath faucet trim with sculpted lever handles	<input type="checkbox"/> CP	<input type="checkbox"/> Other _____		
K-T10278-4A	Forte® bath faucet trim with traditional lever handles			<input type="checkbox"/> CP	<input type="checkbox"/> Other _____

Required Accessories		
K-300-K	1/2" High-Flow Ceramic Disc Valve System <b>OR</b>	<input type="checkbox"/> NA
K-301-K	3/4" High-Flow Ceramic Disc Valve System	<input type="checkbox"/> NA

Optional Accessories		
73444	Deep roughing-in kit for high-flow deck-mount bath faucets (all handles)	<input type="checkbox"/> NA

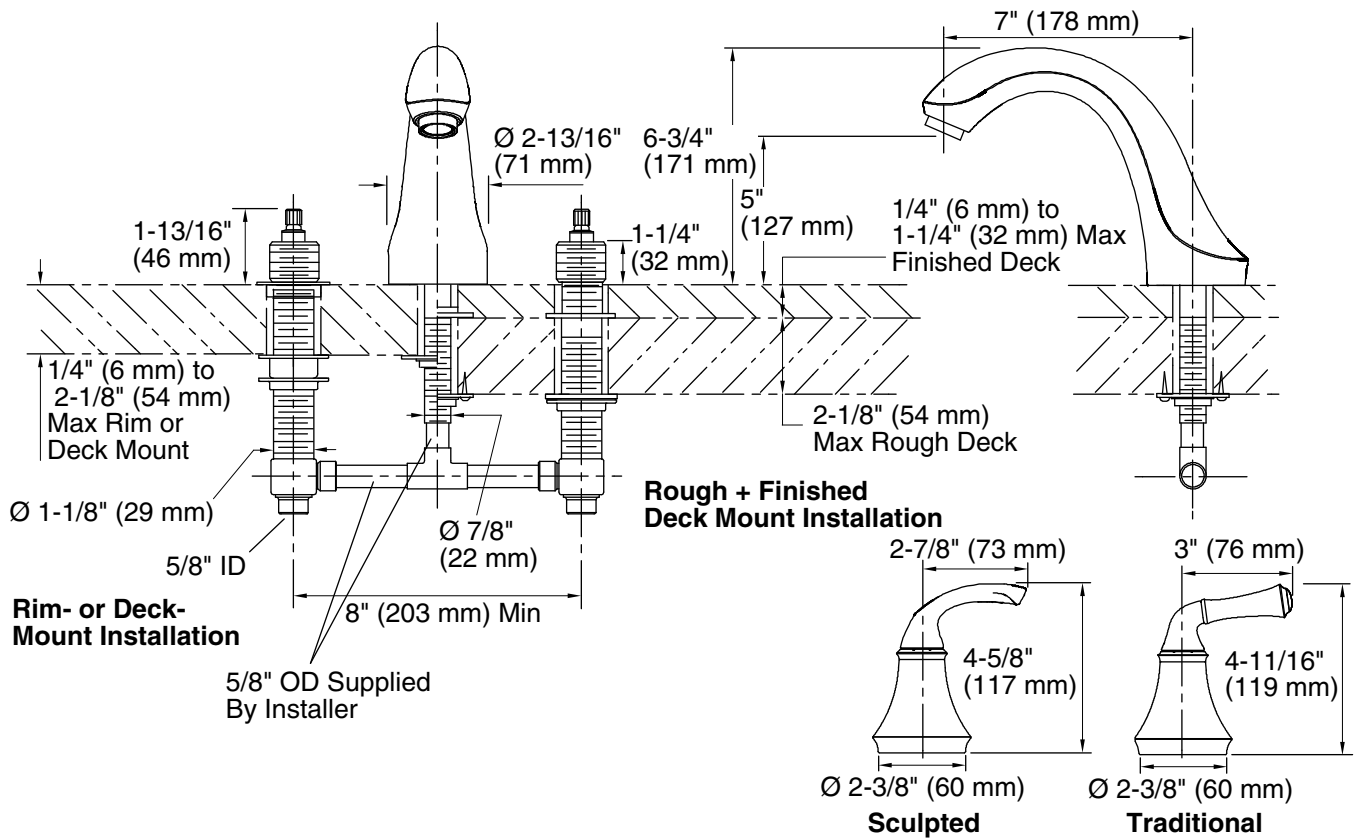
**Product Specification**

Two-handle deck-mount high-flow bath faucet trim shall be of brass construction. Product shall include a 7" (178 mm) non-diverter spout with slip-fit connection. Faucet trim shall be Kohler Model K-T10278-\_\_\_\_\_-\_\_\_\_\_- and valve system shall be Kohler Model K-\_\_\_\_\_-K-NA.

# FORTE®

## Installation Notes

Install this product according to the installation guide.



## Product Diagram