



Features

- Durable high-gloss finish.
- Above-floor-drain (AFD) rough-in.
- 2" (51 mm) wainscot/tile ledge.
- 20" (508 mm) bath depth (floor to top of threshold).
- 60" (1524 mm) x 32" (813 mm) x 22" (559 mm) finished dimensions.

Material

- Compression molded from our exclusive solid Vikrell® material.



Codes/Standards



CSA B45.5/IAPMO Z124
ASTM E162
ASTM E662
Greenguard UL 2818 - Gold
HUD, UM Bulletin 73

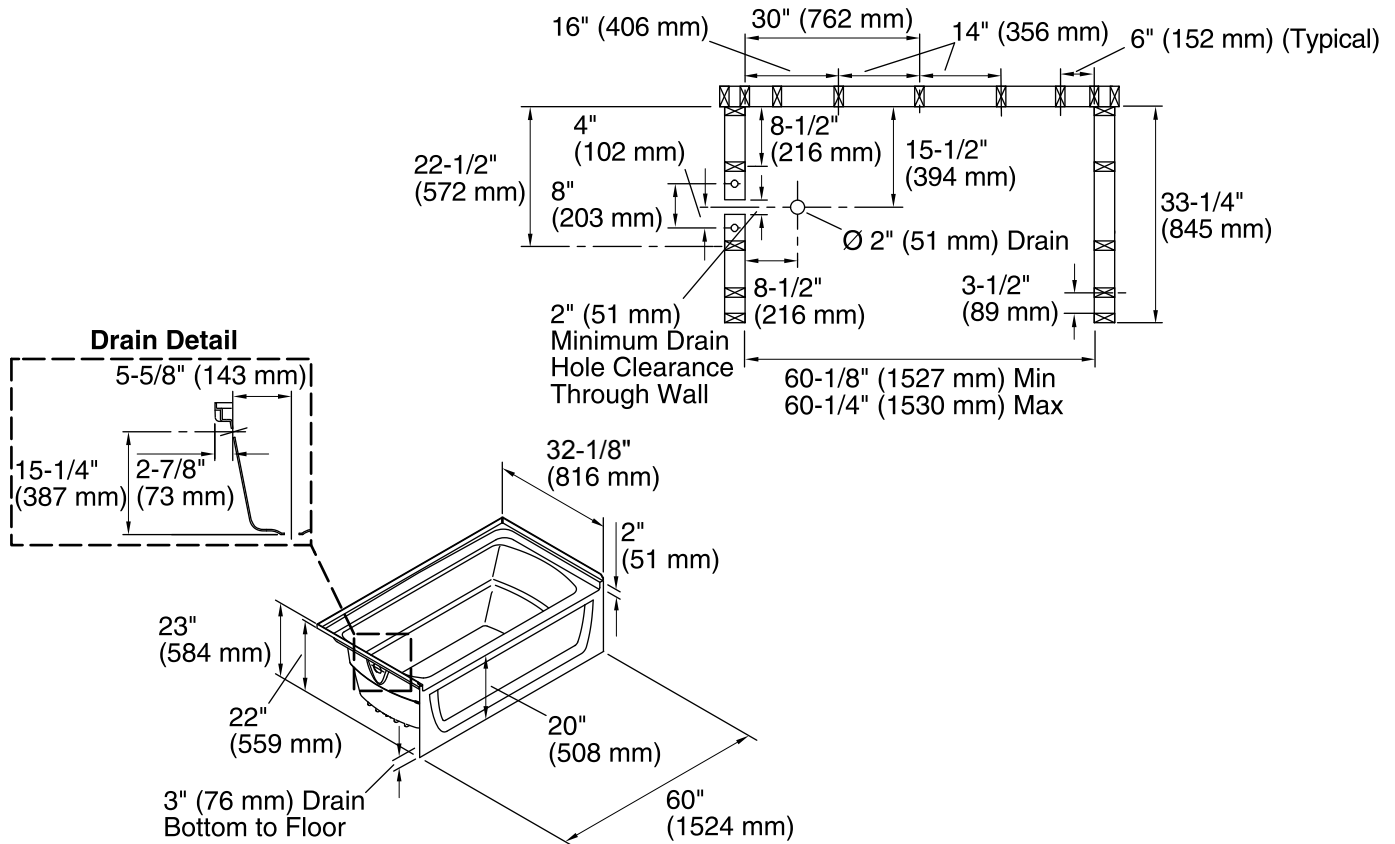
Warranty – Bathing Fixtures (and) Kitchen and Utility Sinks Made of Solid Vikrell® Material

See website for detailed warranty information.

Available Color/Finishes

Color tiles intended for reference only.

Color	Code	Description
	0	White
	96	KOHLER Biscuit



Technical Information

All product dimensions are nominal.

- Installation: 3-Wall Alcove
- Drain location: Left
- Basin area, bottom: 42" x 20" (1067 mm x 508 mm)
- Basin area, top: 54" x 26" (1372 mm x 660 mm)
- Water depth: 13" (330 mm)
- Water capacity: 51 gal (193.1 L)
- Minimum flat for door: 3" (76 mm)
- Maximum door width: 57-11/16" (1465 mm)

Notes

- Install this product according to the installation instructions.
- Studs should be positioned roughly as shown.
- Double studding is recommended for pivot shower door installations.