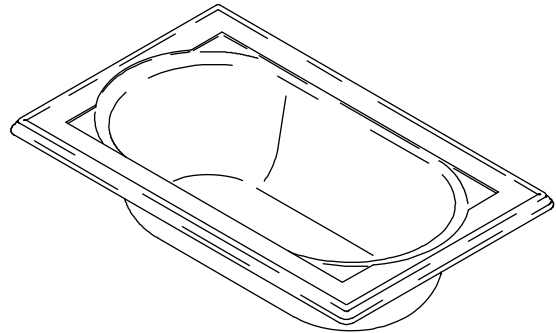


### Features

- Acrylic
- Bask™ heated lumbar support with three temperature settings
- Textured bottom surface
- Drop-in installation
- 66" (1676 mm) x 42" (1067 mm) x 22" (559 mm)

### 5.5' DROP-IN BATH WITH BASK™ HEATED SURFACE K-1169-W1



### Codes/Standards Applicable

Specified model meets or exceeds the following:

- CSA B45.5/IAPMO Z124
- UL 1795
- ASTM E162
- ASTM E662

### Colors/Finishes

- 0: White
- Other: Refer to Price Book for additional colors/finishes

### Accessories

- 0: White
- CP: Polished Chrome
- PB: Vibrant® Polished Brass
- Other: Refer to Price Book for additional colors/finishes

### Specified Model

Model	Description	Colors/Finishes	
K-1169-W1	5.5' Drop-in bath with Bask heated surface	<input type="checkbox"/> 0	<input type="checkbox"/> Other_____

Recommended Accessories			
K-7161-AF	Pop-up drain <b>OR</b>	<input type="checkbox"/> PB	<input type="checkbox"/> CP <input type="checkbox"/> Other_____
K-7213	Cable drain with PVC tubing <b>OR</b>	<input type="checkbox"/> CP	<input type="checkbox"/> Other_____
K-7214	Cable drain without PVC tubing	<input type="checkbox"/> CP	<input type="checkbox"/> Other_____

Optional Accessories			
K-1491	Pillow	<input type="checkbox"/> 0	<input type="checkbox"/> Other_____
K-1601	Footstop	<input type="checkbox"/> 0	<input type="checkbox"/> Other_____

### Product Specification

The acrylic drop-in bath shall be 66" (1676 mm) in length, 42" (1067 mm) in width, and 22" (559 mm) in height. Bath shall feature textured bottom surface. Bath shall feature Bask heated lumbar support with three temperature settings. Bath shall be Kohler Model K-1169-W1-\_\_\_\_\_.

# MEMOIRS®

## Technical Information

Fixture*:	
Basin area:	
Bathing well	42" (1067 mm) x 27" (686 mm)
Top area	54" (1372 mm) x 30" (762 mm)
To overflow:	
Water depth	16" (406 mm)
Capacity	81 gal (306.6 L)
Weight	80 lbs (36.3 kg)
* Approximate measurements for comparison only.	

Drop-in cutout	64-1/2" (1638 mm) x 40-1/2" (1029 mm)			
----------------	---------------------------------------	--	--	--

Heater:	W	V	HZ	A
	65	120	60	.5

## Installation Notes

Install this product according to the installation guide.

Floor support under the bath must provide for a minimum of 40 lbs (196 kg).

Hot water supply should be 70% of capacity or greater. Installations will vary.

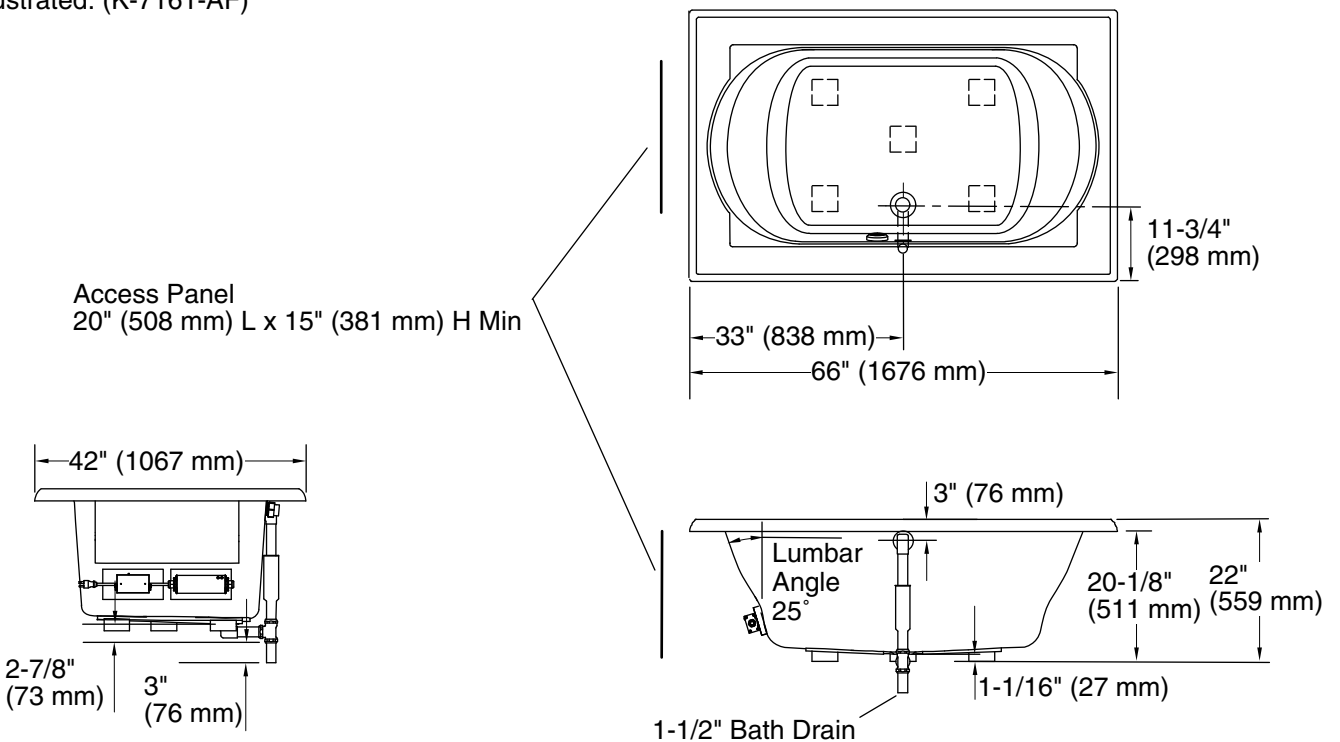
If installing a rim-mount faucet, make sure there is no interference with drain overflow before drilling any holes. Consult local and national codes for minimum air gap requirements if installing a spout on the faucet deck.

This bath is designed for drop-in installation only. It is not suited for use in a three-wall alcove with an overhead shower.

Locate a GFCI-protected 120 V, 15 A, grounded electrical outlet within 24" (610 mm) of the bath junction box.

40" (1016 mm) cable is included.

No change in measurements if connected with drain illustrated. (K-7161-AF)



## Product Diagram