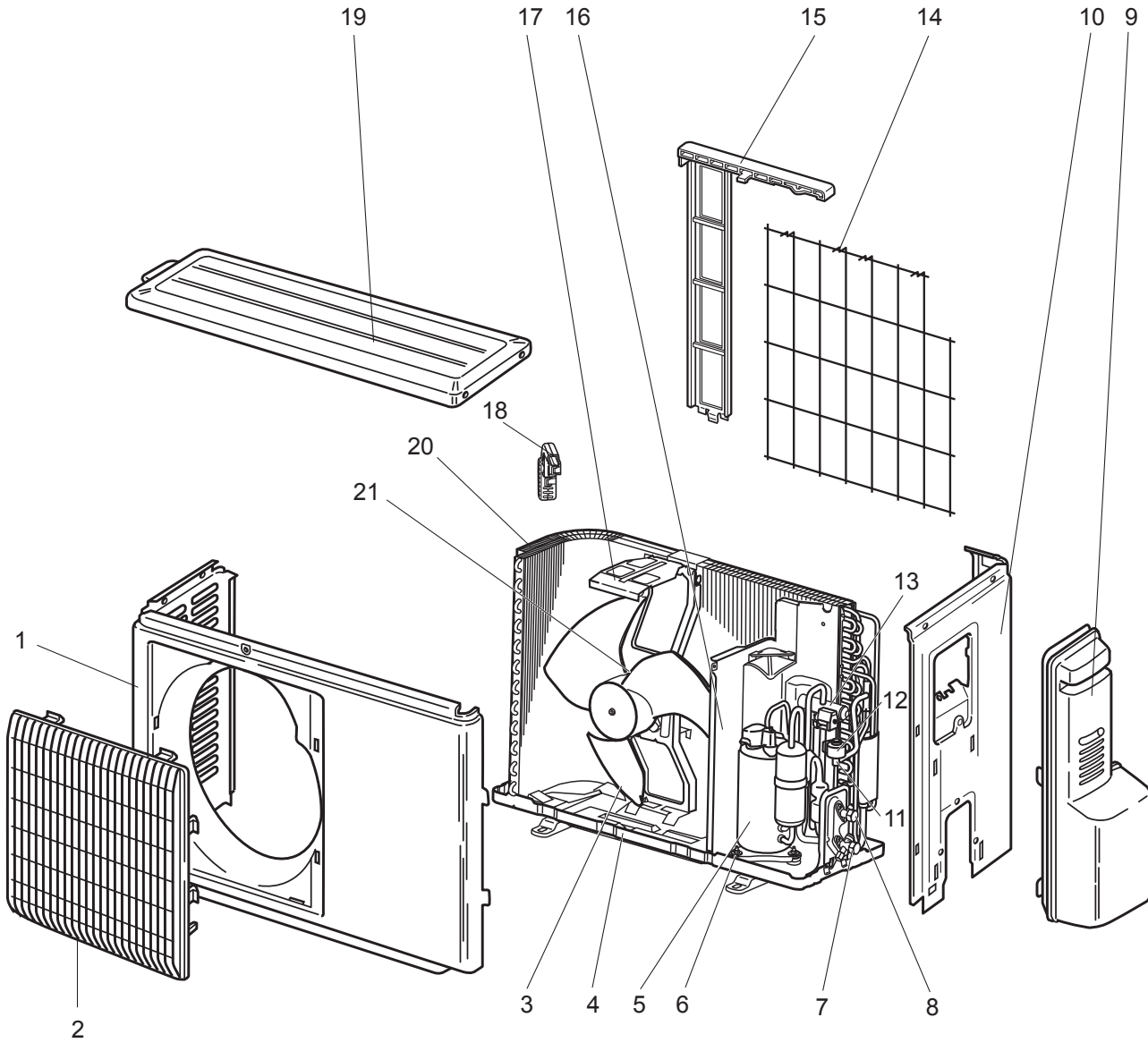


MUFZ-KJ25VE MUFZ-KJ35VE

1-1. OUTDOOR UNIT STRUCTURAL PARTS AND FUNCTIONAL PARTS



RoHS PARTS LIST

1-1. OUTDOOR UNIT STRUCTURAL PARTS AND FUNCTIONAL PARTS

Part numbers that are circled are not shown in the illustration.

| No. | RoHS | Part No. | Part Name | Symbol in Wiring Diagram | Q'ty/unit | | Remarks |
|-----|------|-------------|------------------------|--------------------------|--------------|--------------|---------------|
| | | | | | MUFZ-KJ25VE- | MUFZ-KJ35VE- | |
| | | | | | <u>A1</u> | <u>A1</u> | |
| 1 | G | E12 927 232 | CABINET | | 1 | 1 | |
| 2 | G | E12 927 521 | GRILLE | | 1 | 1 | |
| 3 | G | E12 927 501 | PROPELLER | | 1 | 1 | |
| 4 | G | E12 D69 290 | BASE | | 1 | 1 | |
| 5 | G | E12 J47 900 | COMPRESSOR | MC | 1 | 1 | SNB140FRUMT |
| 6 | G | E12 C34 506 | COMPRESSOR RUBBER SET | | 3 | 3 | 3 RUBBERS/SET |
| 7 | G | E12 927 661 | STOP VALVE (GAS) | | 1 | 1 | ø9.52 |
| 8 | G | E12 927 662 | STOP VALVE (LIQUID) | | 1 | 1 | ø6.35 |
| 9 | G | E12 927 245 | SERVICE PANEL | | 1 | 1 | |
| 10 | G | E12 G15 233 | BACK PANEL | | 1 | 1 | |
| 11 | G | E12 A54 640 | EXPANSION VALVE | | 1 | 1 | |
| 12 | G | E12 G10 493 | EXPANSION VALVE COIL | LEV | 1 | 1 | |
| 13 | G | E12 J44 961 | 4-WAY VALVE | | 1 | 1 | |
| 14 | G | E12 930 525 | CONDENSER WIRE NET | | 1 | 1 | |
| 15 | G | E12 930 523 | CONDENSER NET | | 1 | 1 | |
| 16 | G | E12 G11 293 | SEPARATOR | | 1 | 1 | |
| 17 | G | E12 929 515 | MOTOR SUPPORT | | 1 | 1 | |
| 18 | G | E12 D84 079 | THERMO HOLDER | | 1 | 1 | |
| 19 | G | E12 927 297 | TOP PANEL | | 1 | 1 | |
| 20 | G | E12 J47 630 | OUTDOOR HEAT EXCHANGER | | 1 | 1 | |
| 21 | G | E12 A47 301 | OUTDOOR FAN MOTOR | MF | 1 | 1 | RC0J50-□□ |
| ②② | G | E12 J47 936 | CAPILLARY TUBE | | 1 | 1 | ø4.0×ø2.4×240 |
| ②③ | G | E12 F35 936 | CAPILLARY TUBE | | 4 | 4 | ø3.0×ø2.0×210 |
| ②④ | G | E12 838 704 | DRAIN SOCKET | | 1 | 1 | |