

Widespread Lavatory Faucets 6"-12" Centers

TECK[®]
COMMERCIAL



Specification: (example)

- Two handle widespread lavatory faucet
 - 152 to 305mm (6" to 12") adjustable centers
 - Polished chrome plated finish trim
 - **CAST BRASS** bodies
 - 4 1/2" **CAST BRASS** spout or 3/8" IPS **BRASS PIPE** Rigid/Swivel Gooseneck Spout
 - Metal hold-down package
 - Color indexed metal handles with vandal resistant screws
 - **CER-TECK[®]** 1/4 turn ceramic structures
- and ... with ... (add product variation required)
 with ... (add outlet required)
 with ... (add handle required)
 with ... (add suffix **-LS** if required – See Back Page)
 with ... (add suffix **-TI** if required – See Back Page)

23C334



23C644



Engineer/Architect Approval















Model Specified:

Approval:

Date:

DESCRIPTION	PRODUCT NO.
Widespread Lavatory Faucet	23C



PRODUCT VARIATION	OUTLET	HANDLE
0 <input type="checkbox"/>	0 <input type="checkbox"/>	0 <input type="checkbox"/>
1 <input type="checkbox"/>	1 <input type="checkbox"/>	1 Five Flute Handles  <input type="checkbox"/>
2 <input type="checkbox"/>	2 Vandal Resistant 1.5 GPM (5.7 L/min.) Laminar w/Agion [®] Antimicrobial  <input type="checkbox"/>	2 102mm (4") Hooded Blade Handles (4)  <input type="checkbox"/>
3 Cast Spout Less Pop-up (No Pop-up Hole)  <input type="checkbox"/>	3 Vandal Resistant 1.5 GPM (5.7 L/min.) Flow Control Aerator  <input type="checkbox"/>	3 76mm (3") Lever Blade Handles (4)  <input type="checkbox"/>
4 Cast Spout With Metal Pop-up (With Pop-up Hole)  <input type="checkbox"/>	4 Standard 1.5 GPM (5.7 L/min.) Flow Control Aerator  <input type="checkbox"/>	4 102mm (4") Blade Handles, Sanitary Hoods (4)  <input type="checkbox"/>
5 <input type="checkbox"/>	5 Vandal Resistant 0.5 GPM (1.9 L/min.) Flow Control Non-Aerating Spray Outlet  <input type="checkbox"/>	5 152mm (6") Wrist Handles, Sanitary Hoods  <input type="checkbox"/>
6 Heavy Duty Rigid/Swivel Inline (R2) Gooseneck Spout Less Pop-up (1) (3)  <input type="checkbox"/>	6 <input type="checkbox"/>	6 <input type="checkbox"/>
7 <input type="checkbox"/>	7 Smooth End, Laminar Flow Control in Base of Gooseneck Spout 1.0 GPM (3.8 L/min.) (2)  <input type="checkbox"/>	7 <input type="checkbox"/>
8 <input type="checkbox"/>	8 <input type="checkbox"/>	8 76mm (3") Self-Closing Lever Blade Handles  <input type="checkbox"/>
9 <input type="checkbox"/>	9 <input type="checkbox"/>	9 <input type="checkbox"/>

(1) Available **Optional Rigid/Swivel Spouts**. These spouts can ONLY be added to **BASIC PRODUCT Option No. 6**.

(2) This outlet can ONLY be added to **BASIC PRODUCT Option No. 6**. (3) 120° Limited Swing Spout available. Add Suffix **-LS**. (4) H & C Temperature Indicator available. Add suffix **-TI**. Flow Rates are at 60 PSI.

Refer to www.specselect.com for individual models.

Delta reserves the right (1) to make changes in specifications and materials, and (2) to change or discontinue models, both without notice or obligation. Dimensions are for reference only. See current full-line price book or www.specselect.com for finish options and product availability.

Note: Use this page front and back as a product submittal sheet.



TECK[®]
COMMERCIAL

Widespread Lavatory Faucets 6"-12" Centers

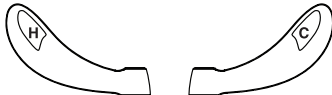
Approvals:

- CSA certified
- Complies to ASME A112.18.1
- Lever Handle No. 2, 3, 4, and 5, ADA Compliant and meets Handicapped Accessibility Standard ICC/ANSI A117.1 of less than 5 lbs. operating force.
- Verified compliant with .25% weighted average Pb content regulations (Contact Delta Representative for State and/or Local Approvals.)

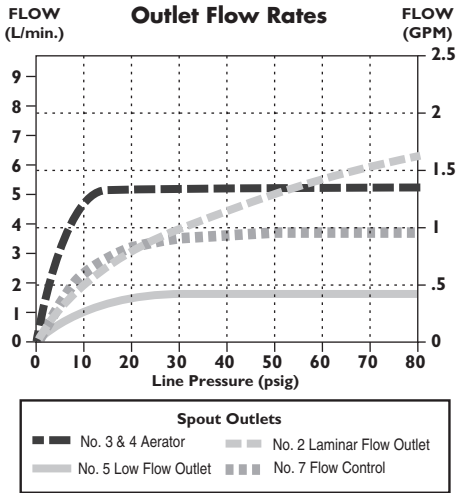


HANDLE TEMPERATURE INDICATORS

- Add suffix **"-TI"** to Product Number for handle temperature indicators "H" (red), "C" (blue).
- Available on handle options 2, 3 or 4 only.



FLOW RATE vs PRESSURE



OUTLET NO.	GOOSENECK SPOUT "D"		CAST SPOUT "D"	
	mm	in.	mm	in.
2	18	0.69	11	0.45
3	18	0.69	11	0.45
4	17	0.67	11	0.45
5	18	0.69	11	0.45

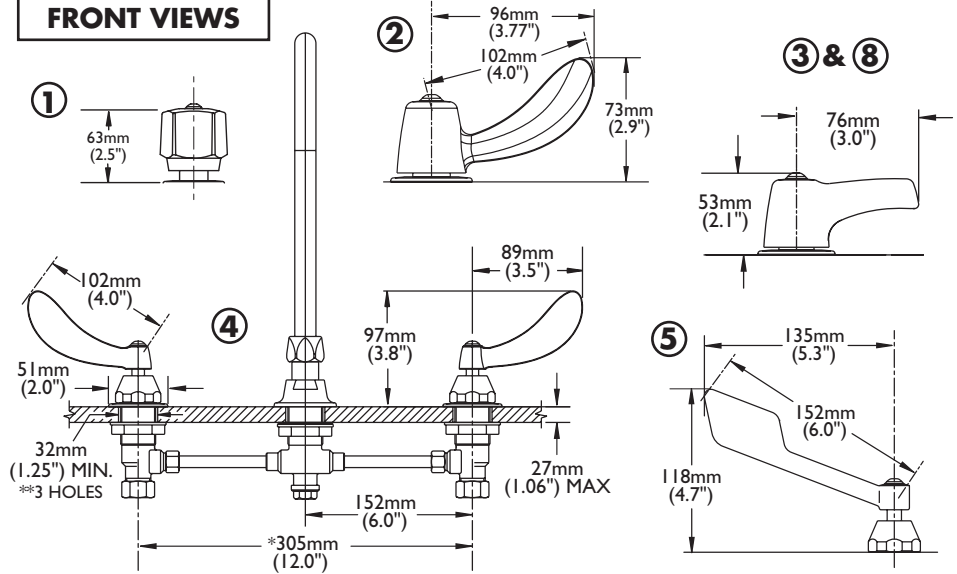
LIMITED SWING GOOSENECK

- Add suffix **"-LS"** to Product Number for 120° Limited Swing – Available on #6 Product Variation ONLY

INLETS - 1/2" MIP/Coupling Nuts

Note: Measurements may vary ± 6mm (0.25")

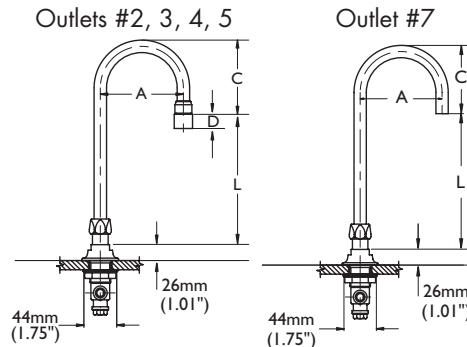
FRONT VIEWS



* CAN BE CUT IN FIELD TO 152mm (6.0") MINIMUM INLET FOR 3/8" OR 1/2" FLEXIBLE RISER OR 1/2-14 NPSM COUPLING NUT (SUPPLIED)

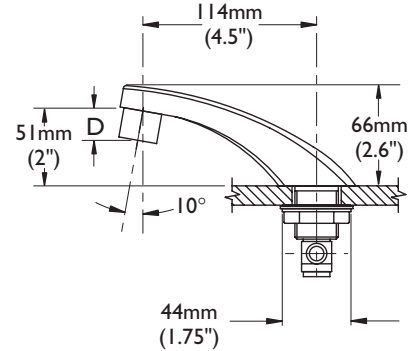
(Extension Kit Available for up to 1 1/4" Thick Decks)

GOOSENECK SPOUT #6



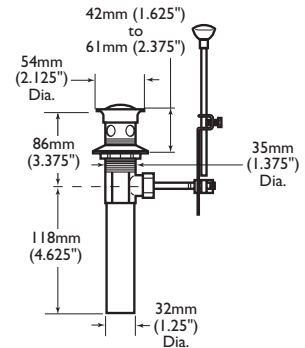
**Spout hole 38mm (1.5") maximum diameter.

CAST SPOUT



METAL POP-UP

(supplied with Product Variations 4)



FOR OPTIONAL RIGID/SWIVEL & LIMITED SWING SPOUTS

See DSP-R/S for detailed specification (Found in the "Add-On Option" section when using the printed spec binder)

GOOSENECK SPOUT ASSEMBLIES

SPOUT/OUTLET	"A"		"C"		"L"	
	mm	in.	mm	in.	mm	in.
Gooseneck-Standard (R2) for outlets #2, 3, 4, 5	114	4.5	104	4.1	170	6.7
Gooseneck-Standard (R2) for outlet #7	114	4.5	97	3.8	178	7.0

Refer to www.specselect.com for individual models.

Note: Use this page front and back as a product submittal sheet.