

One **TOUGH** Ignitor!



*Introducing our
new flagship ignitor!*

*The **Pro-X 45000**
is the latest in ignitor technology
from Carlin Combustion —
The Pro's Choice.*

- Robust Circuit Design
- Stronger Components
- Optimized Heat Management
- Universal Fit

Carlin[®]
Combustion Technology, Inc.

PRO-XTM 45000



The new **Pro-X 45000** is simply Carlin's most durable ignitor ever. Reengineered circuit design, stronger components and lower internal operating temperatures make this the toughest, longest lasting ignitor we've ever made. In our most rigorous testing, under extreme conditions the **Pro-X 45000** outlasted every ignitor we've ever tested... and we have tested them all.

But long life is only half the story... The **Pro-X 45000**

is also Universal. The rugged thermoplastic housing features mounting locations for virtually any burner. So, whether the burner you are servicing is a Carlin, Beckett, Wayne... you name it, you'll have the right ignitor for the job when you arrive.

If you're looking for one tough ignitor that will accommodate virtually any burner... look no further.

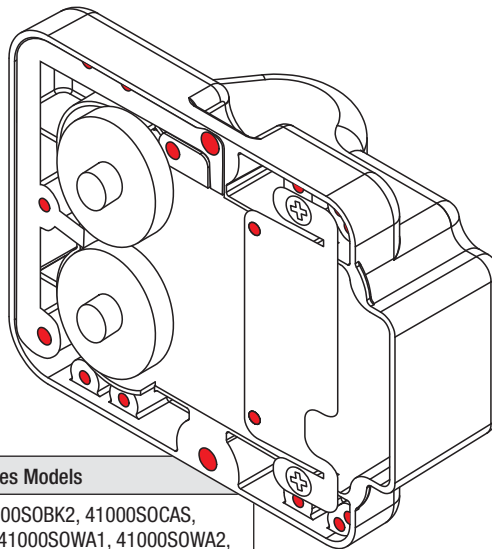
Put the **Pro-X 45000** in your truck today.

Universal Mounting

The precisely-engineered hole patterns on the bottom of the **Pro-X 45000** enables it to be mounted on virtually any manufacturer's existing ignitor base plate.

Fits mounting plates for:

- Beckett
- Wayne
- France
- Webster
- ...and more



Manufacturer	Replaces Models
CARLIN	41000S, 41000SOBK1, 41000SOBK2, 41000SOCAS, 41000SOLC, 41000SOSC, 41000SOWA1, 41000SOWA2, 41000SOWA3, 41000SOWM
ALLANSON	2275-456, 2275-605, 2275-619, 2275-620, 2275-628G, 2275-629, 2275-630, 2275-633, 2275-647, 2275-653, 2275-658, 2275U
BECKETT	51771U, 51805U, 51824U, 51825U, 51826U, 51827U, 51828, 51836U, 51837U, 51840U, 5188U
FRANCE	10SAY-03, 10SAY-04, 10SAY-05, 10SAY-15, 10SAY-16, 10SAY-30, 10SAY-31, 10SAY-32, 10SAY-56, 10SAYL-70
WEBSTER	12-8AB7, 313-24AB81, 313-25AB78, 313-28AB205, 313-28AB85, 313-28AB91, 3-24AB-AER, 3-28AB-BAFR, 3-28AB-BS, 3-32AB-BAF

Tortured in our lab, so you can trust it in the field.



The development of **Pro-X 45000** ignitors followed a specific testing protocol to ensure they would be the toughest ignitors available. The design was validated by testing through hundreds of thousands of on/off cycles at high ambient temperature and maximum voltage.

Ignitor Model	45000
Power Input	120 VAC, 60 HZ, 40 VA
Ignitor Output	19 KV, 35 mA RMS
Secondary Grounding	Midpoint
Operating Temperature Limits	+32°F to +140°F
Storage Temperature Limits	-40°F to +185°F
Agencies	UL Recognized U.S. and Canada

Carlin[®]
Combustion Technology, Inc.

126 Bailey Road
North Haven, CT 06473
203-680-9401 • Fax 203-680-9402
www.carlincombustion.com