

Job Name _____

Contractor _____

Job Location _____

Approval _____

Engineer _____

Contractor's P.O. No. _____

Approval _____

Representative _____

Series RPVM1

Residential Purge, Drain and Balancing Valves

Sizes: $\frac{3}{4}$ " – 1 $\frac{1}{4}$ "

Series RPVM1 Residential Purge, Drain and Balancing Valves provide a unique and low cost solution for start-up purging, balancing and draining of hydronic heating loops. Using a rugged, dual-ball valve design, the small and compact RPVM1 facilitates high volume purging, accurate balancing, tight shutoff and hose connection for draining and purging.

Features

- One-piece construction – no extra assembly required
- $\frac{1}{2}$ " ball valve purge port
- Positive shutoff dual-ball valve design – tight seal on balance port maximizes purging
- Cast purge port handle

Specifications

A purge, drain and balancing valve shall be installed where indicated on the plans. The valve shall facilitate high volume purging, accurate balancing, tight shutoff and hose connection for draining and purging. The valve shall feature a dual-ball valve design. The valve shall be a Watts Series RPVM1.

Models

RPVM1-S	solder inlet x solder outlet, $\frac{3}{4}$ ", 1", 1 $\frac{1}{4}$ "
RPVM1-ST	solder inlet x female NPT outlet, $\frac{3}{4}$ ", 1", 1 $\frac{1}{4}$ "

Materials

Body:	Brass
Ball:	Plated brass
Seats:	Virgin PTFE

Pressure – Temperature

Maximum Inlet Temperature:	250°F (121°C)
Maximum Working Pressure:	50psi (344 kPa)



$\frac{3}{4}$ " RPVM1-S

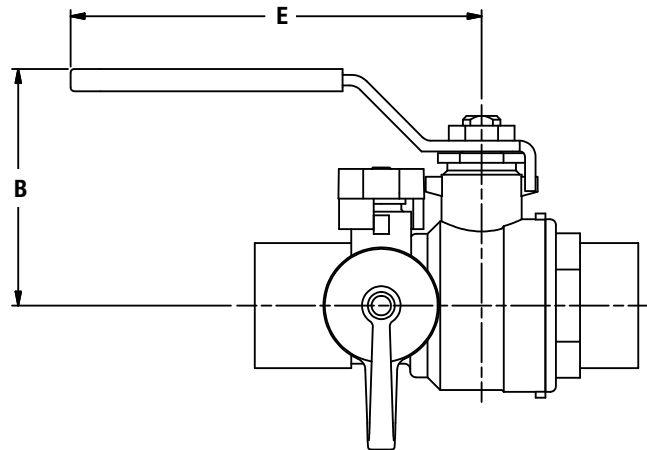
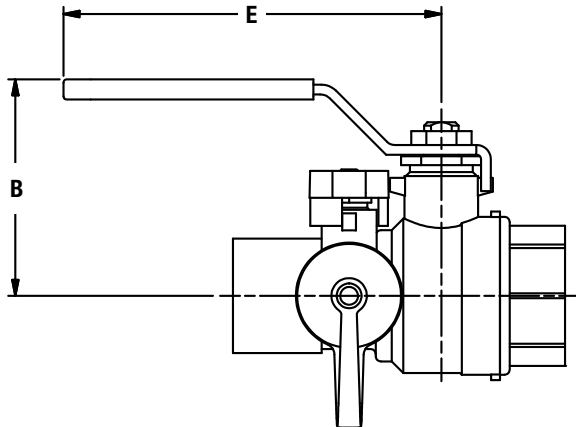
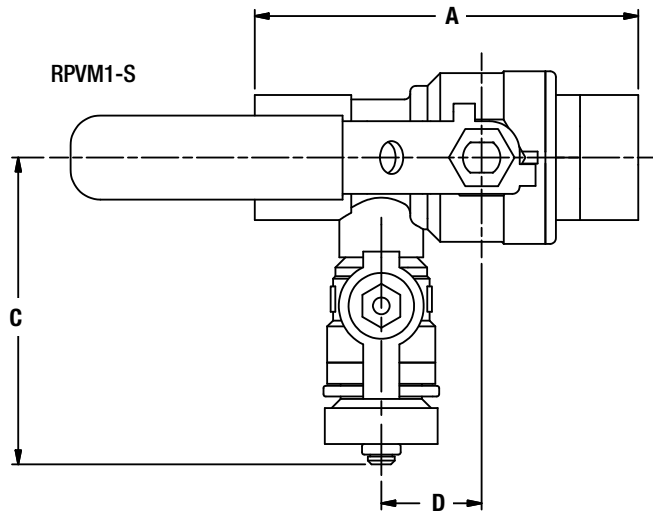
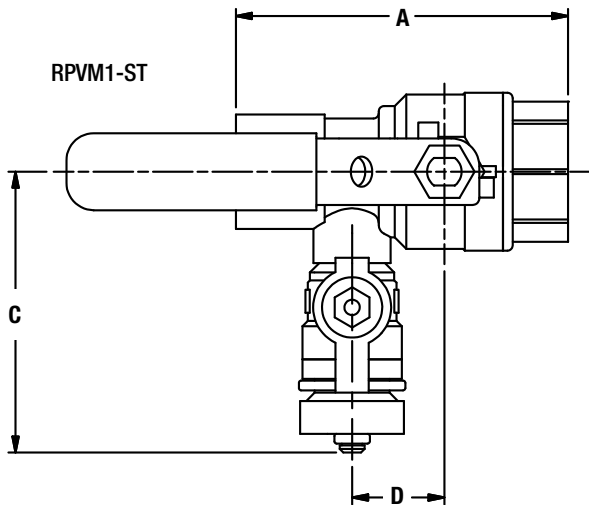
NOTICE

The information contained herein is not intended to replace the full product installation and safety information available or the experience of a trained product installer. You are required to thoroughly read all installation instructions and product safety information before beginning the installation of this product.

NOTICE

Inquire with governing authorities for local installation requirements

Dimensions – Weights



MODEL	CONNECTIONS		Size	A		B		C		D		E		WEIGHT	
	inlet	outlet		in.	in.	mm	in.	mm	in.	mm	in.	mm	in.	mm	lbs.
RPVM1-S	solder	solder	3/4	3 5/16	84	2 1/16	52	3 3/16	81	7/8	22	4	102	1.0	0.5
RPVM1-S	solder	solder	1	4	102	2 7/16	62	3 3/16	81	1 1/16	27	4 1/4	108	1.5	0.7
RPVM1-S	solder	solder	1 1/4	4 3/8	111	2 9/16	65	3 5/16	84	1 3/16	30	4 1/4	108	2.0	0.9
RPVM1-ST	solder	FPT	3/4	3 1/8	79	2 1/4	52	3 1/4	83	7/8	22	4	102	1.1	0.5
RPVM1-ST	solder	FPT	1	3 3/4	95	2 7/16	62	3 3/16	81	1 1/16	27	4 1/4	108	1.6	0.7
RPVM1-ST	solder	FPT	1 1/4	4 1/8	105	2 1/2	64	3 5/16	84	1 3/16	30	4 1/4	108	2.0	0.9

