

# Z6915

## AquaSense Battery Powered Faucet



### Flow Control Options

- F 0.5 gpm/1.9 Lpm Vandal-Resistant Non-Aerated
- J 1.5 gpm/ 5.7 Lpm Vandal-Resistant Laminar Flow
- K 1.0 gpm/ 3.8 Lpm Vandal-Resistant Laminar Flow
- L 1.0 gpm/ 3.8 Lpm Vandal-Resistant Aerator
- M 0.35 gpm/1.3 Lpm Vandal-Resistant Non-Aerated

### Power Supply Choices (Sold Separately)

- ACA 6 VDC Plug-In Power Converter
- HW6 Hardwired Power Converter

### Optional Power Supply Accessories

- CWB Connector Wire for Hardwire Install
- MJ Mini Junction Box

**NOTE: For Hardwire applications furnish P6000-HW6 power converter. Order P6000-HW6 power converter separately.**

**The P6000-HW6 and P6000-MJ will power up to 8 sensor faucets.**

ZURN INDUSTRIES, LLC. ♦ COMMERCIAL BRASS OPERATION  
 5900 ELWIN BUCHANAN DRIVE ♦ SANFORD NC 27330  
 Phone: 1-800-997-3876 ♦ Fax: 919-775-3541  
 www.zurn.com  
 In Canada: ZURN INDUSTRIES LIMITED  
 3544 Nashua Drive ♦ Mississauga, Ontario L4V1L2  
 Phone: 905-405-8272 Fax: 905-405-1292

AquaSense® is a registered trademark of Zurn Industries, LLC.

### Engineering Specification

ADA compliant, battery powered, chrome plated sensor faucet for retrofit and new construction.

- Flow Rate
  - 1.5 gpm Vandal Resistant Aerator
- Occupant Detection
  - Infrared convergence-type proximity sensor
  - Thirty Second Time out feature
- Spout module
  - Chrome Plated Cast Brass
- Also Includes
  - In-line filter
  - 4 "AA" batteries
  - Inlet for a 1/2"[13] ball riser

\* Option not available for -XL faucets

### Accessories

- ADM Above Deck Mixer \*
- CG CareGuard Aerator
- DSA Drug Screening Applications
- H4 Wrist Blade Handle for ADM \*
- MT Mixing Tee \*
- MV Temperature Mixing Valve
- RR Reduced Range
- SH Supply Hoses for Mixing Valve
- SSH Single Stainless Supply Hose (-XL)
- TMV Thermostatic Mixing Valve for Multiple Faucets
- TMV-1 Thermostatic Mixing Valve for Single Faucets
- \_\_\_\_\_ Other

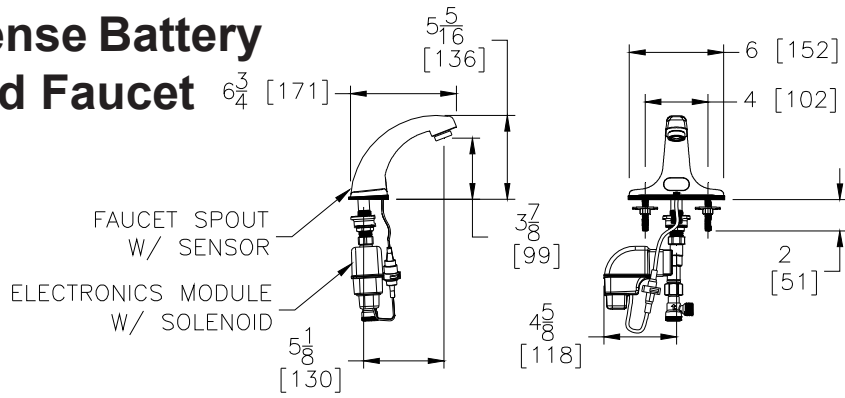
Careguard currently only available with -E, 1.5 Vandal Resistant Laminar Aerator.

-XL Zurn Lead Compliant products (-XL) are manufactured to comply with state laws and local codes that mandate lead content levels less than one quarter of one percent (0.25%) total lead content by weighted average.

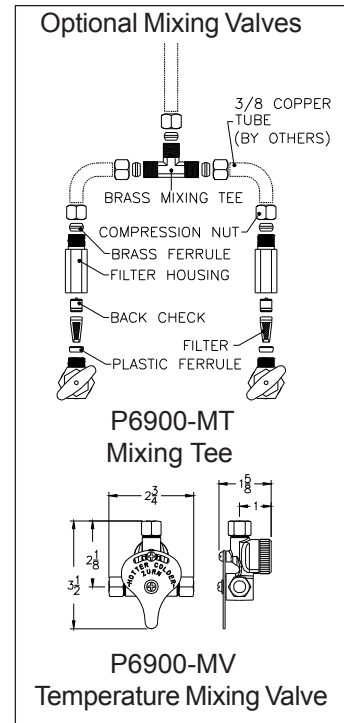
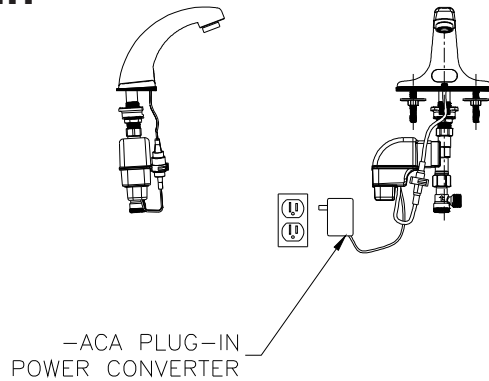
|                                    |
|------------------------------------|
| Architectural/Engineering Approval |
|------------------------------------|

The information contained in this document is subject to change without notice. Please contact Zurn for most up to date information.

# TYPICAL Z6915 AquaSense Battery Powered Faucet

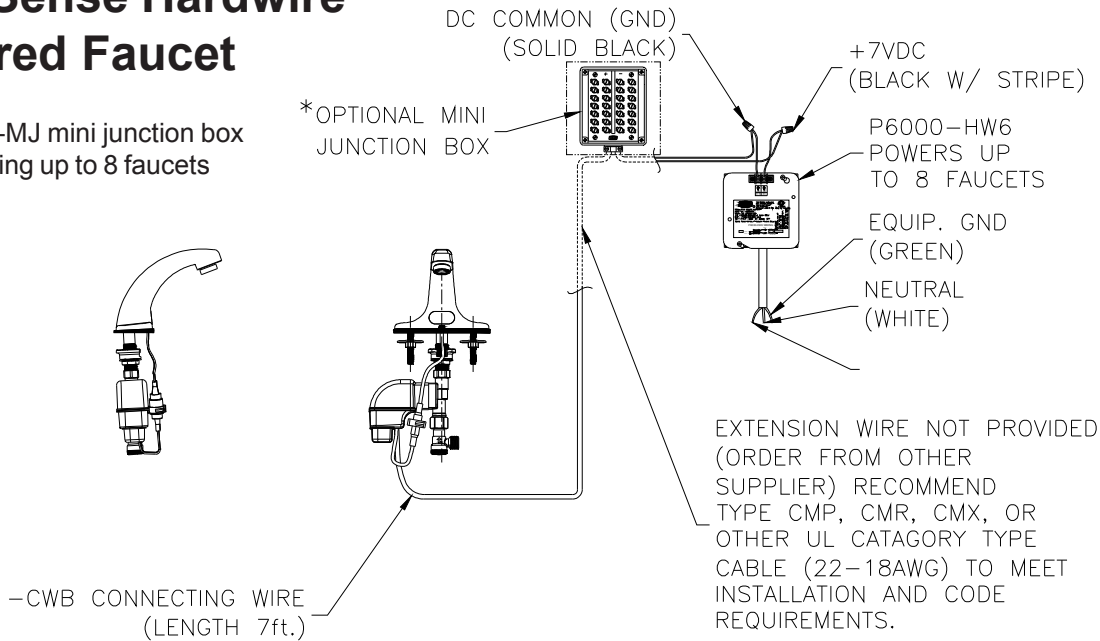


# TYPICAL Z6915-ACA AquaSense Plug-In Powered Faucet



# TYPICAL Z6915-CWB AquaSense Hardwire Powered Faucet

Optional:  
\* Optional -MJ mini junction box for connecting up to 8 faucets



**NOTE: MUST USE EITHER ZURN P6000-HW6 HARDWIRE POWER CONVERTER OR ZURN P6000-PC6 PLUG-IN POWER CONVERTER TO ENSURE PROPER OPERATION. USING A POWER CONVERTER OTHER THAN ZURN MAY RESULT IN OPERATION MALFUNCTION OR UNIT FAILURE.**