

36 416 780 Product version up to 6/30/2020

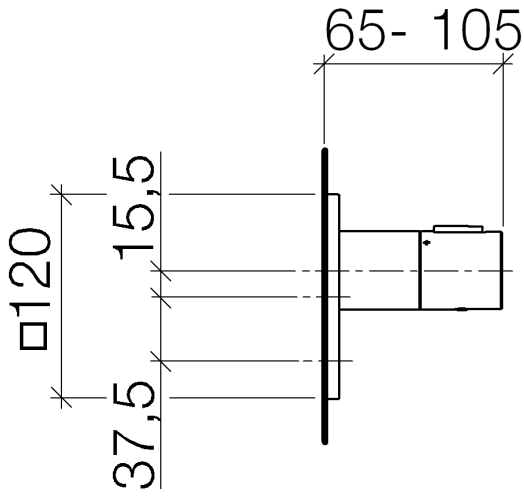


Fits: IMO, MEM, CL.1

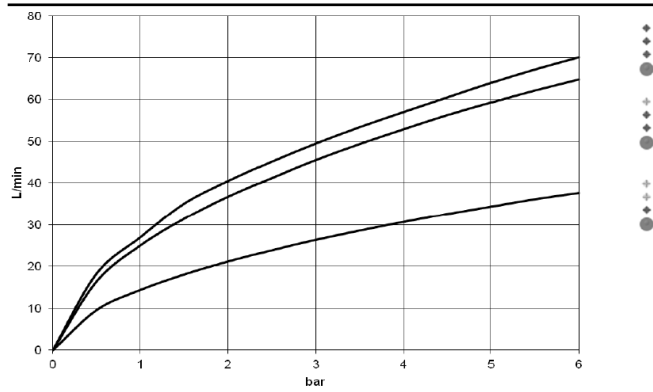
- cover plate 120 x 120 mm
- temperature control handle with safety limit stop at 38°C

	Brushed Platinum	36 416 780-06
	Chrome	36 416 780-00
	Platinum	36 416 780-08
	Dark Brass matt	36 416 780-16
	Dark Bronze matt	36 416 780-17
	Dark Chrome	36 416 780-19
	Brushed Durabrass (23kt Gold)	36 416 780-28
	Matte Black	36 416 780-33
	Brushed Gold (PVD)	36 416 780-37
	Brushed Dark Brass (PVD)	36 416 780-39
	Brushed Bronze (PVD)	36 416 780-42
	Brushed Champagne (22kt Gold)	36 416 780-46
	Champagne (22kt Gold)	36 416 780-47
	Cyprum	36 416 780-49
	Brushed Chrome	36 416 780-93
	Brushed Dark Platinum	36 416 780-99

36 416 780 Product version up to 6/30/2020



Flow rate chart



Codes & Standards

ASME A112.18.1 cUPC



xTOOL Concealed thermostat without volume control - Brushed Platinum

SERIES SPECIFIC

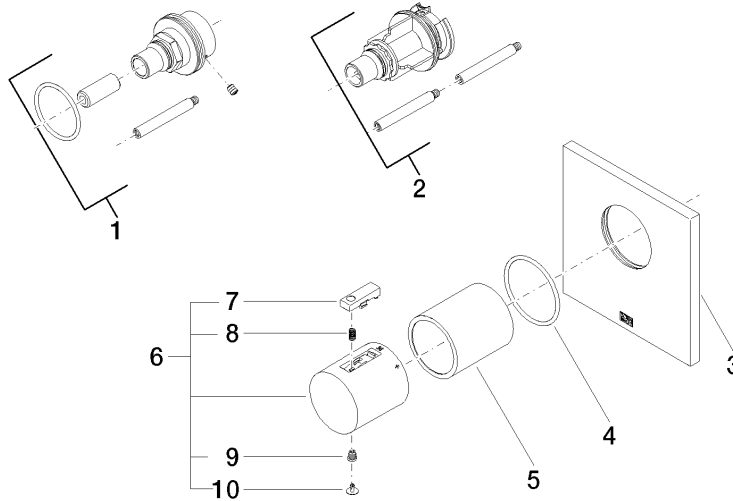
36 416 780 Product version up to 6/30/2020

Certificates and sustainability

IAPMO_4976 (EPD-DOR-20230287
-IBA1-EN
Environmental.prod
uct-declarat

36 416 780 Product version up to 6/30/2020

Parts for other finishes can be found here: [Chrome](#)



Spare parts list

No.	Item Number	Name	Quantity used	Delivery time
1	12 177 970 90	Extension 28 mm -	1.00	2
2	12 178 970 90	Extension 46 mm -	1.00	2
6	90 17 33 004 00-06	handle	1.00	60
3	09 11 02 196-06	cover	1.00	60
8	90 16 02 027 00 90	spring	1.00	2
10	90 31 20 049 00-13	plug	1.00	30
9	90 30 30 136 00 90	screw	1.00	2
4	90 14 10 049 00 90	seal	1.00	2
5	90 21 02 112 00-06	sleeve	1.00	10
7	90 21 33 011 00-13	handle	1.00	2