

ELKAY® SPECIFICATIONS

Hand Wash-Up Sink Type 304 Models CHS1716C and CHS1716

GENERAL

CHS1716C Type 304 (18-8) stainless steel hand wash-up sink. Basin has 1-3/4" (45mm) radius coved corners. Full length 7" (178mm) high backsplash. Exposed surfaces have a brushed finish. Furnished with a wall hanger and integral stainless steel support brackets. Carries NSF International Certification.

FURNISHED COMPLETE WITH:

SUPPLY: LK940GN04L2H Chrome plated gooseneck spout faucet with AE13A aerator.

DRAIN: LK8 Chrome plated stamped brass perforated strainer grid. 1-1/2" (38mm) O.D. x 4" (102mm) tailpiece.

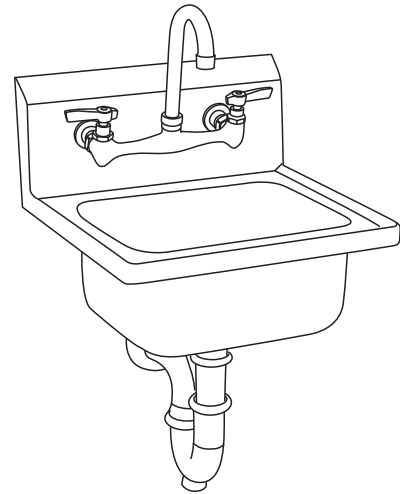
TRAP: LK500 Chrome plated cast brass 1-1/2" (38mm) O.D. "P" trap with cleanout, 1-1/2" (38mm) O.D. waste arm to wall, and wall flange.

FOLLOWING MODEL DOES NOT INCLUDE FAUCET AND FITTINGS:

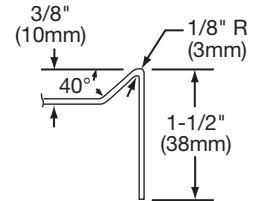
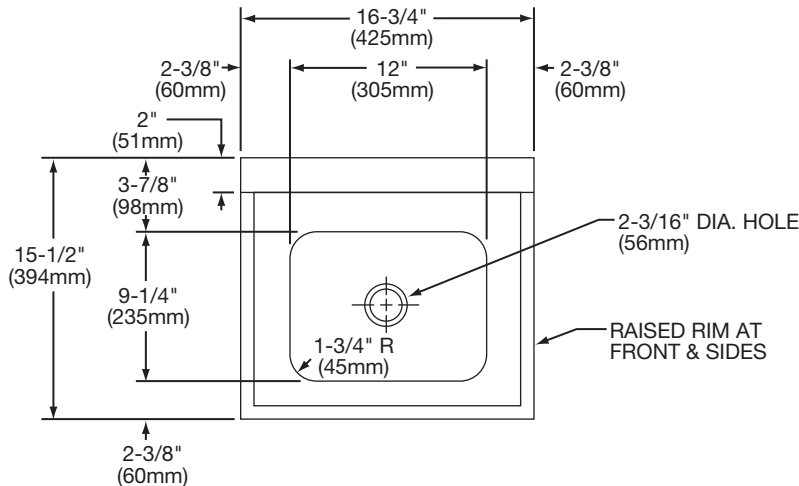
CHS1716

SPECIFY FAUCET DRILLINGS AND LOCATION.

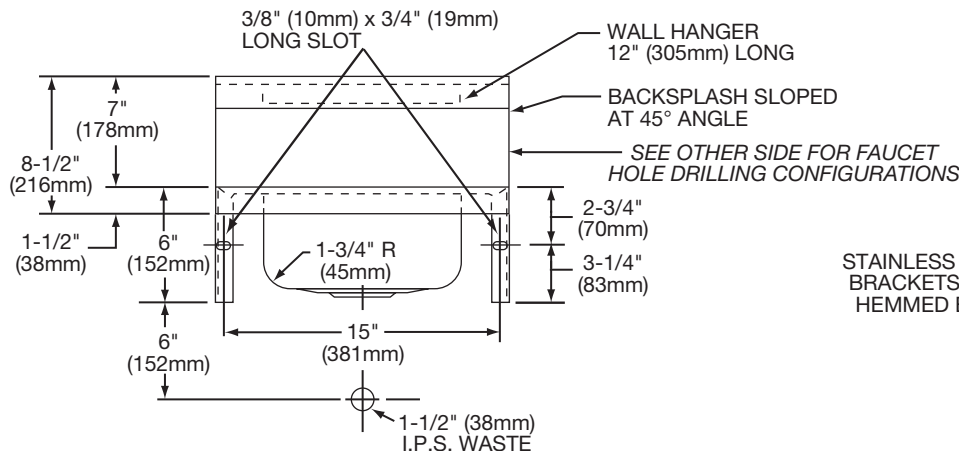
(See other side for standard faucet hole drilling configurations.)



Model CHS1716C



SECTION THROUGH RIM



Model CHS1716C Illustrated

In keeping with our policy of continuing product improvement, Elkay reserves the right to change product specifications without notice.

Elkay

elkayusa.com

2222 Camden Court
Oak Brook, IL 60523

Printed in U.S.A.
©2009 Elkay

(11/09)

4-1H

HOLE DRILLING CONFIGURATIONS

