

LONDON COLLECTION

Towel Ring

Item # 248464



FEATURES

- Modern styling
- Durable finishes
- Concealed installation

WARRANTY

- Lifetime limited (Residential use)
- One Year (Commercial use)

FINISHES STOCKED IN

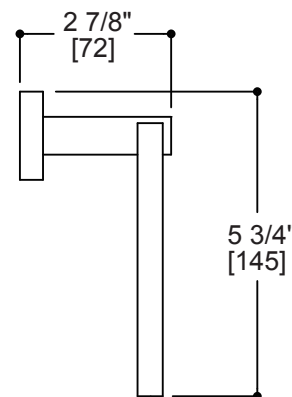
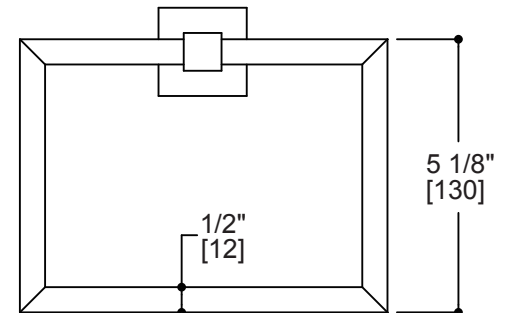
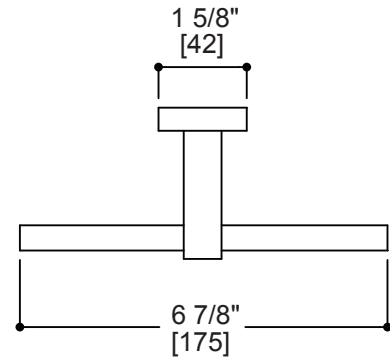
- Polished Chrome (99) Brushed Nickel (81)
- Polished Nickel (68)

SPECIAL FINISHES AVAILABLE

- Antique Nickel (91) Polished Gold (12)
- Brushed Gold (22) Brushed Brass (78)
- Black Nickel (40) Antique Copper (55)
- Polished Brass (72) Antique Brass (69)
- Brushed Chrome (85) Oil Rubbed Bronze (21)
- Brushed Bronze (25) Titanium (33)
- Glossy White (62) Unlacquered brass (75)
- Matte White (26) New World Bronze (80)
- Brushed Copper (65) Antique Black (45)
- Champagne Bronze (30) Matte Black (48)

MOUNTING HARDWARE

- Mounting kit included



Note: Dimensions and specifications are subject to change without notice.