



Exposed Wall Mounted Tub Filler With Handshower And Cross Handles

ROHL Perrin & Rowe® Bath

U.3511X/1

FEATURES

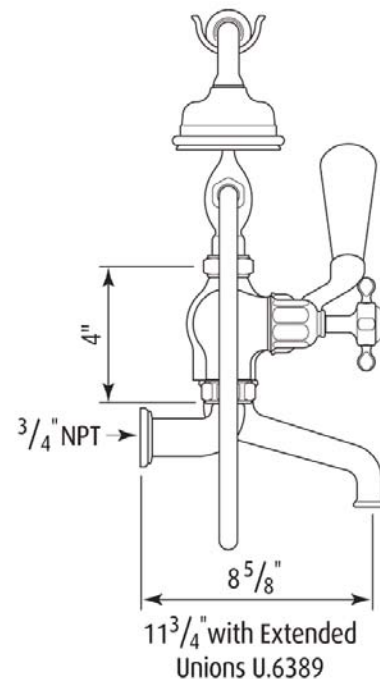
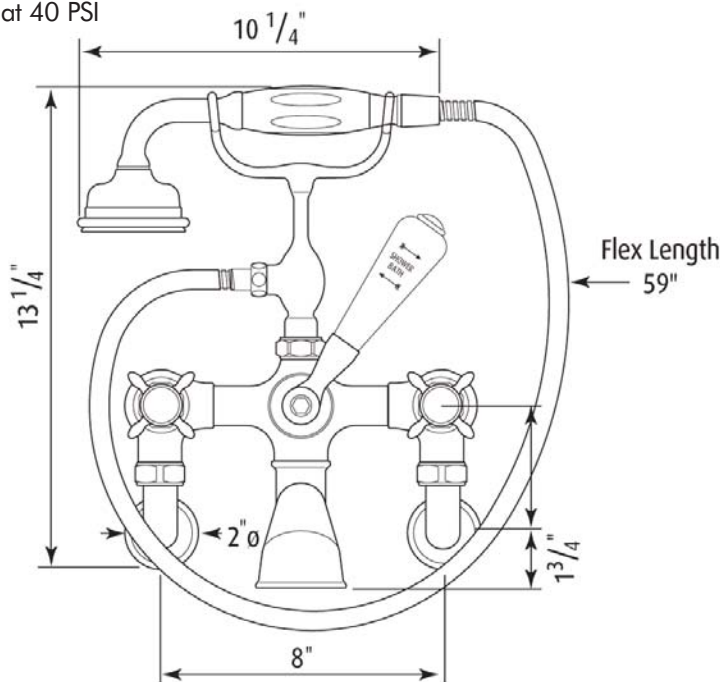
- Spout, valve, and handles made from solid brass
- 1/4 turn ceramic disc valves
- Unique handle fixing clip, engineered to increase the life of the valve
- 3/4" inlets
- 19 GPM at 40 PSI

COLORS/FINISHES

- Polished Chrome
- Polished Nickel
- Satin Nickel
- Inca Brass
- English Bronze

WARRANTY

- Limited Lifetime



U.3511X/1 Spare Parts

Where * Indicated Specify Color.

