

Compact Second Stage Regulator for LP-Gas LV3403B4

Application

The LV3403B4 is designed to reduce first stage pressure of 5-20 PSIG down to burner pressure normally 11" w.c. Designed as a second stage regulator for smaller applications with flow requirements up to 450,000 BTU's/hr, they are ideal for homes, mobile homes, and cottages.



LV3403B4 Series

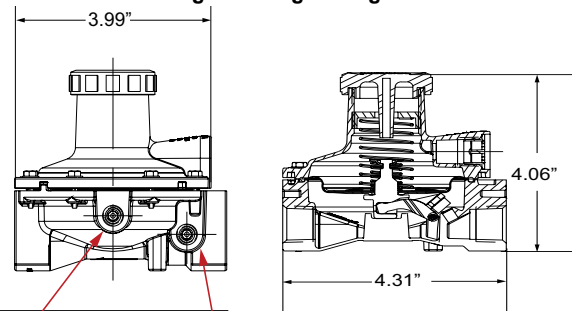
Features

- Large vent helps prevent vent blockage, it is tapped for 3/8" F.NPT for vent piping.
- With 15 PSIG inlet pressure, the regulator is designed to not pass more than 2 PSIG downstream with the seat disc removed, per NFPA 58.
- Incorporates an integral relief valve
- Unique bonnet vent profile minimizes vent freeze over when properly installed.
- Compact design saves space.
- Built in pressure taps 1/8" F.NPT on both regulator inlet and downstream side of the regulator. Plugs can be removed with a 3/16" hex Allen wrench.
- Select brown finish.

Materials

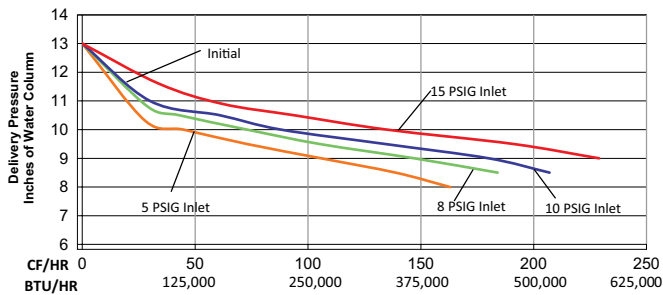
BodyZinc
 BonnetZinc
 Spring Steel
 Seat Disc Resilient Rubber
 Diaphragm Integrated Fabric and Synthetic Rubber

Straight Through Design



- Downstream Pressure Tap
- Inlet Pressure Tap 1/8" F.NPT

LV3403B Series



Ordering Information

| Part Number | Inlet Connection | Outlet Connection | Orifice Size | Factory Delivery Pressure | Adjustment Range | Bonnet Vent Position | Vapor Capacity BTU/hr * |
|-------------|------------------|-------------------|--------------|---------------------------|------------------|----------------------|-------------------------|
| LV3403B4 | 1/2" F.NPT | 1/2" F.NPT | 7/32" | 11" w.c. At 10 PSIG Inlet | 9" to 13" w.c. | Inlet | 450,000 |
| LV3403B4V3 | | | | | | 3:00 | |
| LV3403B4V0 | | | | | | Outlet | |
| LV3403B4V9 | | | | | | 9:00 | |

* Maximum flow based on 10 PSIG Inlet 9" w.c. delivery pressure