

quality . service
innovation . integrity

290 Series



Features

The High Head Waste-Mate series of submersible pumps is designed for use in residential or light commercial dewatering and wastewater applications and can be used to transfer groundwater and effluent or raw sewage. The innovative vortex impeller design reduces the risk of clogging and allows each pump to pass 2" (50 mm) spherical solids. These durable cast iron pumps include a powder coated epoxy finish to prevent corrosion and are designed to provide great heat dissipation from the motor, ensuring a long service life. As with every Zoeller® pump, each one is 100% pressure-tested, submerged and run to ensure quality and reliability for years of trouble-free performance!

- Automatic pumps include a float-operated, 2-pole mechanical switch, a stainless steel float guard and switch arm, and a solid, buoyant polystyrene float.
- For nonautomatic pumps, variable level control systems and containers of various sizes are available for longer cycles.
- Double seal models are available to improve bearing lubrication and prevent leaks and damage to seals or bearings during dry run conditions.
- All models are hermetically sealed to be watertight, dust-tight, and completely submersible.

Reserve Powered Design: For unusual conditions, a reserve safety factor is engineered into the design of every pump.

Specifications

Motor Characteristics

Motor	1/2 - 2 HP
Voltage	115 - 575 V
Phase	1 or 3 Ph
Hertz	60 Hz
RPM	3450 RPM
Type	Permanent split capacitor or 3 phase
Insulation	Class B
Amps	2.4 - 20.5 Amps

Pump Characteristics

Operation	Automatic or nonautomatic
Auto On/ Off Points	15-3/4" / 5" (40.0 cm / 12.7 cm)
Discharge Size	2" or 3" NPT
Solids Handling	2" (50 mm) spherical solids
Cord Length	20' (6 m) standard
Cord Type	UL listed, 3-wire neoprene cord and plug
Max Head	75' (22.9 m)
Max Flow Rate	214 GPM (810 LPM)
Max Operating Temp	130° F (54° C)
Cooling	Oil filled
Motor Protection	Auto reset thermal overload (1 Ph)

Materials Characteristics

Cap	Cast iron
Motor Housing	Cast iron
Pump Housing	Cast iron
Base	Cast iron
Upper Bearing	Ball bearing
Lower Bearing	Ball bearing
Mechanical Seals	Carbon and ceramic
Impeller Type	Non-clogging vortex
Impeller	Bronze
Hardware	Stainless steel
Motor Shaft	1117 carbon steel or 416 stainless steel*
Gasket	Neoprene square ring and gasket

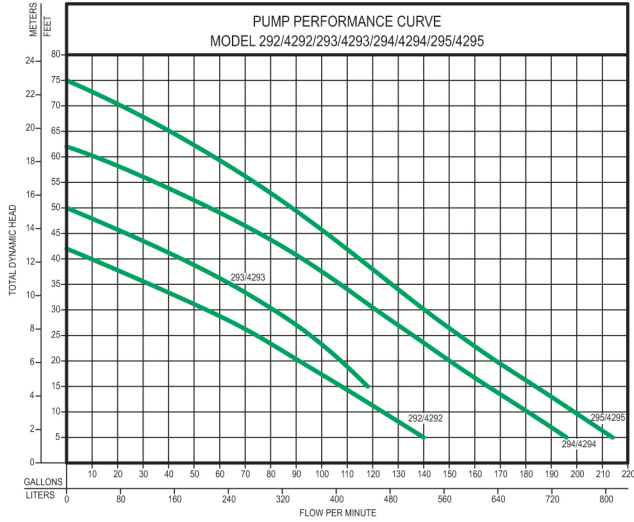


PUMP COMPANY

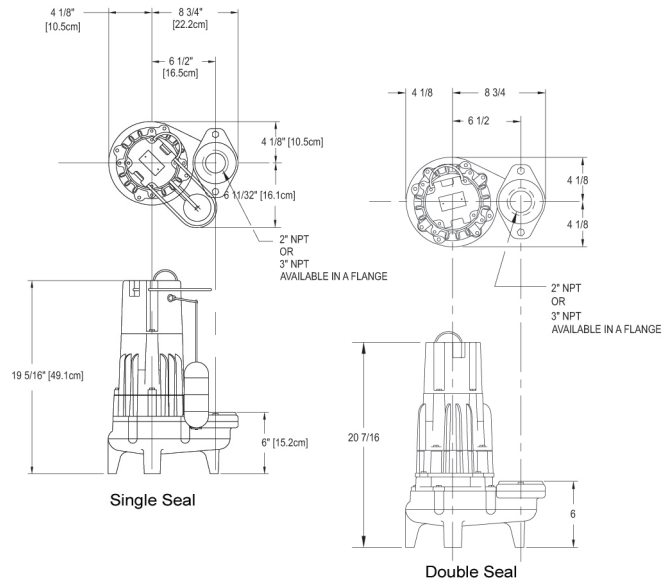
Zoeller Family of Water Solutions™

FM0450_Ea

290 Series



009919



SK863/SK1415

Model

Model Number	Seal	Mode	Volts	Phase	Amps	HP	Hz	Lbs	Kg
M292	Single	Auto	115	1	15.0	1/2	60	86	39
N292/N4292	Single / Dbl	Non	115	1	15.0	1/2	60	85/93	38/42
BN292	Single	Auto	115	1	15.0	1/2	60	87	39
D292	Single	Auto	230	1	7.5	1/2	60	88	39
E292/E4292	Single/Dbl	Non	230	1	7.5	1/2	60	88/95	39/43
F292/F4292	Single/Double	Non	230	3	5.2	1/2	60	88/95	39/43
J292/J4292	Single/Double	Non	200	3	6.4	1/2	60	88/95	39/43
G292/G4292	Single/Double	Non	460	3	2.9	1/2	60	88/95	39/43
BA292/BA4292	Single / Dbl	Non	575	3	2.4	1/2	60	88/95	39/43
D293	Single	Auto	230	1	10.2	1	60	86	39
E293/E4293	Single / Dbl	Non	230	1	10.2	1	60	86/94	39/42
H293	Single	Auto	200	1	12.0	1	60	90	40
I293/I4293	Single / Dbl	Non	200	1	12.0	1	60	89/96	40/43
F293/F4293	Single / Dbl	Non	230	3	7.6	1	60	89/96	40/43
J293/J4293	Single / Dbl	Non	200	3	8.2	1	60	89/96	40/43
G293/G4293	Single / Dbl	Non	460	3	4.0	1	60	89/96	40/43
BA293/BA4293	Single	Non	575	3	3.3	1	60	89	40
BE293	Single	Auto	230	1	10.2	1	60	88	40
D294	Single	Auto	230	1	13.7	1-1/2	60	87	39
E294/E4294	Single / Dbl	Non	230	1	13.7	1-1/2	60	86/94	39/42
H294	Single	Auto	200	1	17.8	1-1/2	60	90	40
I294/I4294	Single / Dbl	Non	200	1	17.8	1-1/2	60	89/96	40/43
F294/F4294	Single / Dbl	Non	230	3	9.5	1-1/2	60	89/96	40/43
J294/J4294	Single / Dbl	Non	200	3	10.8	1-1/2	60	89/96	40/43
G294/G4294	Single / Dbl	Non	460	3	4.8	1-1/2	60	89/96	40/43
BA294/BA4294	Single/Double	Non	575	3	3.8	1-1/2	60	89/96	40/44
BE294	Single	Auto	230	1	13.7	1 1/2	60	88	40
D295	Single	Auto	230	1	17.1	2	60	89	40
E295/E4295	Single / Dbl	Non	230	1	17.1	2	60	88/97	39/43
WD295	Single	Auto	230	1	17.1	2	60	88	39
H295	Single	Auto	200	1	20.5	2	60	92	41
I295/I4295	Single / Dbl	Non	200	1	20.5	2	60	91/99	41/44

Your Peace of Mind is Our Top Priority®
3649 Cane Run Rd | Louisville, KY 40211 USA

+1 502-778-2731 | 1-800-928-7867 | Fax: +1 502-774-3624

www.zoeller.com

290 Series

Model Number	Seal	Mode	Volts	Phase	Amps	HP	Hz	Lbs	Kg
F295/F4295	Single / Dbl	Non	230	3	12.2	2	60	91/99	41/44
J295/J4295	Single / Dbl	Non	200	3	14.3	2	60	91/99	41/44
G295/G4295	Single / Dbl	Non	460	3	6.1	2	60	91/99	41/44
BA295/BA4295	Single	Non	575	3	4.9	2	60	91	41

*Single seal models are built with a carbon steel motor shaft, and double seal models are built with a stainless steel motor shaft.

Your Peace of Mind is Our Top Priority®

3649 Cane Run Rd | Louisville, KY 40211 USA

+1 502-778-2731 | 1-800-928-7867 | Fax: +1 502-774-3624

www.zoeller.com

Product information presented here reflects conditions at time of publication. Consult factory regarding discrepancies or inconsistencies. Copyright Zoeller Company. All rights reserved.