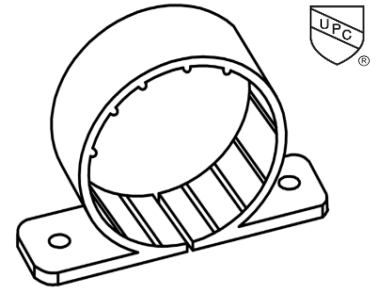


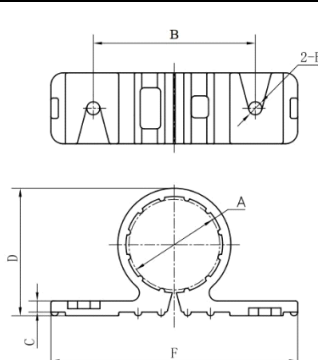
Features:

- Material: Gray Polypropylene.
- The Standard Clamps are designed to support 1/2" through 2" tubing. Helps to minimize noise transfer and isolates against dissimilar metal contact. Compatible with **Copper, PEX, CPVC** piping.



- Directions For Use: Open clamp and snap over pipe or tube. Slide into position and secure with barbed nail or screw. Check with local codes to ensure proper spacing requirements for piping support. **NOTE: KEEP OUT OF REACH OF CHILDREN.**

All dimensions in inches

Part#	Description	Drawing	Dimensions					
			A	B	C	D	E	F
4PRO12THPC	1/2" Standard Clamp		0.626	1.496	0.106	0.866	0.094	2.047
4PRO34THPC	3/4" Standard Clamp		0.874	1.551	0.106	1.161	0.126	2.362
4PRO1THPC	1" Standard Clamp		1.126	2.461	0.118	1.417	0.138	2.835
4PRO114THPC	1-1/4" Standard Clamp		1.374	2.394	0.134	1.709	0.150	2.835
4PRO112THPC	1-1/2" Standard Clamp		1.626	2.441	0.134	1.945	0.169	3.091
4PRO2THPC	2" Standard Clamp		2.126	3.161	0.154	2.441	0.169	3.583