

CGi - Series 2 & 3 Section Assembly Parts Continued

Fig. No.	Part No.	Description	Mfr.	Mfr.'s Part No.	Boiler Size	
4	560-234-500	Tie Rod, 7/16" x 9" Without Nut (3 Required for Boiler)	Weil-McLain		25, 3	
	560-234-501	Tie Rod, 7/16" x 12" Without Nut (3 Required for Boiler)	Weil-McLain		4	
	560-234-502	Tie Rod, 7/16" x 15" Without Nut (3 Required for Boiler)	Weil-McLain		5	
	560-234-503	Tie Rod, 7/16" x 18" Without Nut (3 Required for Boiler)	Weil-McLain		6	
	560-234-504	Tie Rod, 7/16" x 21" Without Nut (3 Required for Boiler)	Weil-McLain		7	
	560-234-505	Tie Rod, 7/16" x 24" Without Nut (3 Required for Boiler)	Weil-McLain		8	
5	561-928-235	Nut, 7/16" (2 Per Tie Rod)	Weil-McLain		All	
6	562-248-684	Washer, Lock 7/16" (1 Per Joint)	Weil-McLain		All	
7	460-003-700	Radiation Plate (1 Per Joint)	Weil-McLain		All	
8	450-000-010	Collector Hood and Transition Assembly Series 2 Only	Weil-McLain		25	
	450-000-011		Weil-McLain		3	
	450-000-012		Weil-McLain		4	
	450-000-013		Weil-McLain		5	
	450-00-014		Weil-McLain		6	
	450-000-015		Weil-McLain		7	
	450-000-016		Weil-McLain		8	
	381-354-594		Collector Hood and Transition Assembly Series 3 Only	Weil-McLain		25
	381-354-595	Weil-McLain			3	
	381-354-596	Weil-McLain			4	
	381-354-597	Weil-McLain			5	
	381-354-598	Weil-McLain			6	
	381-354-599	Weil-McLain			7	
	381-354-600	Weil-McLain			8	
	9	510-312-250		High Limit, 30° Differential With Well	Honeywell	L4090D-1036
			High Limit, 30° Differential With Well	White-Rogers	11B81-3	
381-356-577		Temperature Sensor, ½ " N.P.T	Tasseron	TSL055D	All -Series 3	
10	381-356-499	Inducer Fan Assembly Kit (Includes: Inducer Fan Assembly, Gasket and Nuts)	Fasco	7062-5326 7021-10410	Series-2	
	381-354-588	Inducer Fan Assembly Kit - (Includes Gasket and Instructions)			Series 3	
11	590-317-627	Gasket, Inducer	Weil-McLain		All	

Number of burners:

CGi-25: 2 burners

CGi-3: 2 burners

CGi-4: 3 burners

CGi-5: 4 burners

CGi-6: 5 burners

CGi-7: 6 burners

CGi-8: 7 burners

CGs
Section Assembly Parts

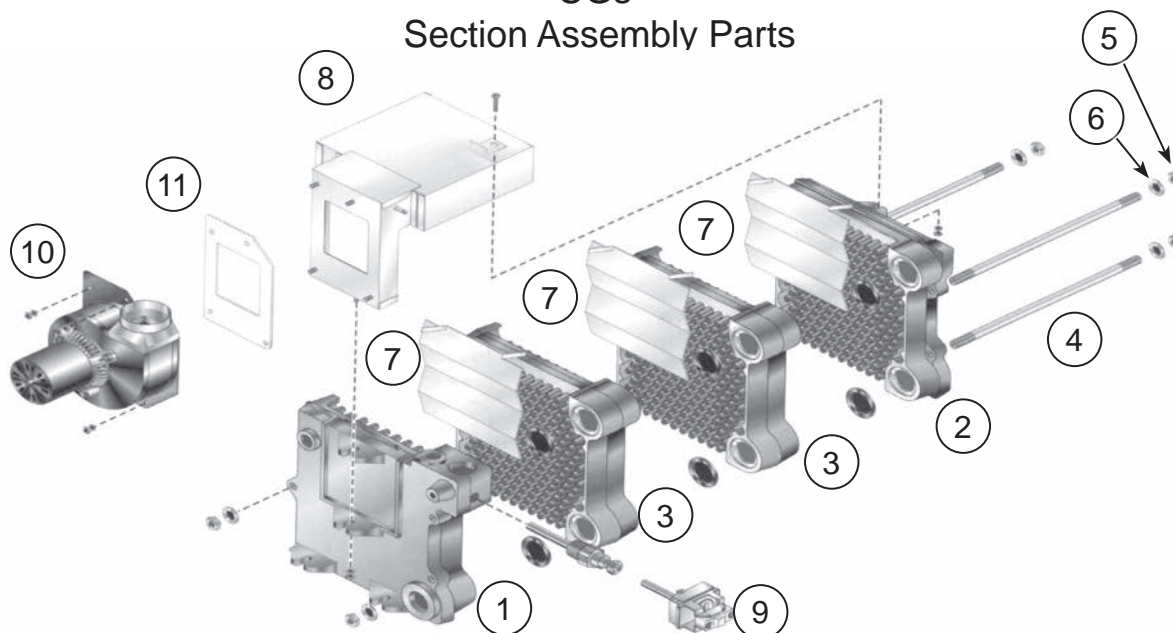


Fig. No.	Part No.	Description	Mfr.	Mfr.'s Part No.	Boiler Size
1	311-103-850	End Section, Left Hand, Cast #51124			All
2	311-103-821	End Section, Right Hand, Cast #51128			All
3	311-103-818	Intermediate Section, Cast #51128			All
N/S	321-114-286	Replacement Section Assembly			3
	321-114-287				4
	321-114-288				5
	321-114-289				6
	381-354-527	Section Replacement Kit (Includes: Seals and Sealant For (1) Joint)			All
4	560-234-500	Tie Rod, 7/16" X 9" Without Nut (3 Per Boiler)			3
	560-234-501	Tie Rod, 7/16" X 12" Without Nut (3 Per Boiler)			4
	560-234-502	Tie Rod, 7/16" X 15" Without Nut (3 Per Boiler)			5
	560-234-503	Tie Rod, 7/16" X 18" Without Nut (3 Per Boiler)			6
5	561-928-235	Nut, 7/16" (2 Per Tie Rod)			All
6	562-248-684	Washer, Lock 7/16" (1 Per Tie Rod)			All
7	460-003-700	Radiation Plate (1 Per Joint)			All
8	381-354-590	Collector Hood And Transition Assembly			3
	381-354-591				4
	381-354-592				5
	381-354-593				6
	381-354-601				4E
9	510-312-250	High Limit 30° Subtractive Differential With Well	Honeywell	L4080D-1036	All
			White-Rogers	11B81-3	
10	381-356-499	Inducer Fan Assembly Kit (Includes: Inducer, Fan Assembly, Gasket And Nuts)	Fasco	7021-10410	All
				7062-5326	
11	590-317-627	Gasket, Inducer Terminator			All
N/S	382-200-430	Vent/Air-Intake Kit (Includes: Intake/Exhaust Cap, Coupling, Mounting & Backing Plate And Hardware)			All