



## Features

- Glass
- Without overflow
- Above-the-counter installation
- ADA compliant when installed to a 1" (25 mm) thick slab with wall-mounted or single-hole, single-control faucet
- 19" (483 mm) diameter

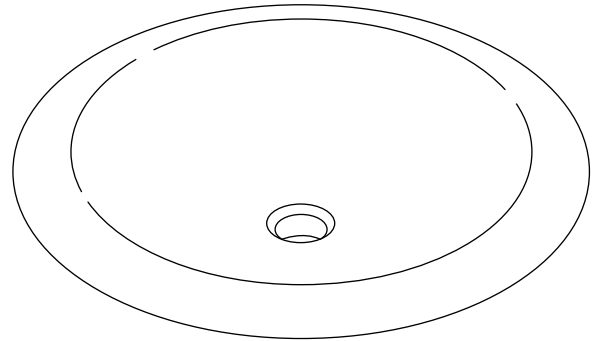
## VESSELS BATHROOM SINK K-2370 ALSO K-14016

ADA

## Codes/Standards Applicable

Specified model meets or exceeds the following:

- ADA
- ICC/ANSI A117.1
- CSA B45.11/IAPMO Z401



## Colors/Finishes

- B11: Ice™

### Accessories

- CP: Polished Chrome
- Other: Refer to Price Book for additional colors/finishes

## Specified Model

Model	Description	Colors/Finishes
K-2370	Mirovia® vessels bathroom sink	<input type="checkbox"/> B11
K-14016	Pallene® vessels bathroom sink	<input type="checkbox"/> B11

Required Accessories			
K-7107	Decorative drain <b>OR</b>	<input type="checkbox"/> CP	<input type="checkbox"/> Other_____
K-7108	Decorative drain <b>OR</b>	<input type="checkbox"/> CP	<input type="checkbox"/> Other_____
K-7129	Grid drain	<input type="checkbox"/> CP	<input type="checkbox"/> Other_____

## Product Specification

The vessels bathroom sink shall be made of glass. Bathroom sink shall be 19" (483 mm) in diameter. Bathroom sink shall be for above-the-counter installation. Bathroom sink shall be without overflow. Bathroom sink shall be ADA compliant when installed to a 1" (25 mm) thick slab with wall-mounted or single-hole, single-control faucet. Bathroom sink shall be Kohler Model K-\_\_\_\_-B11.

## Technical Information

Fixture*:		
Bathroom sink	K-2370	K-14016
Basin area	Ø 15-3/4" (400 mm)	Ø 15-3/4" (400 mm)
Water depth	3-1/2" (89 mm)	3-1/2" (89 mm)
Drain hole	Ø 1-5/8" (41 mm)	Ø 1-5/8" (41 mm)
* Approximate measurements for comparison only.		
Included components:		
Drain gasket kit	1070246	

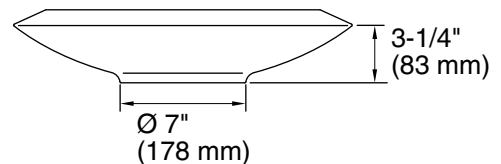
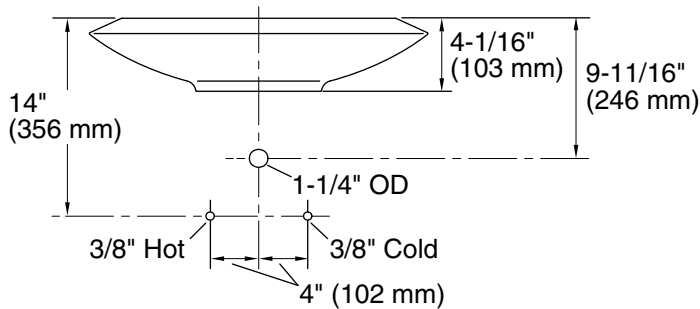
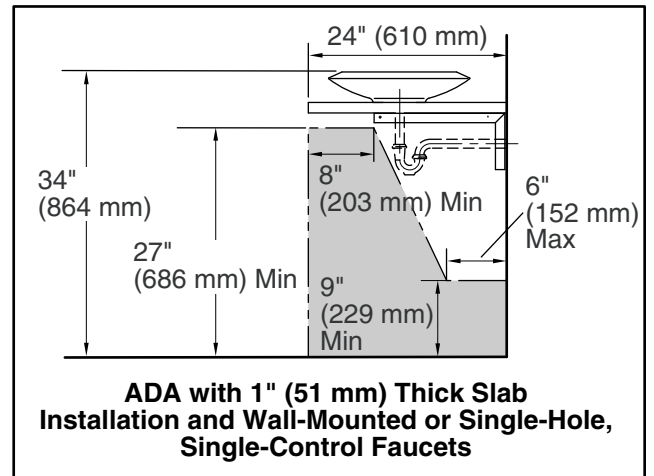
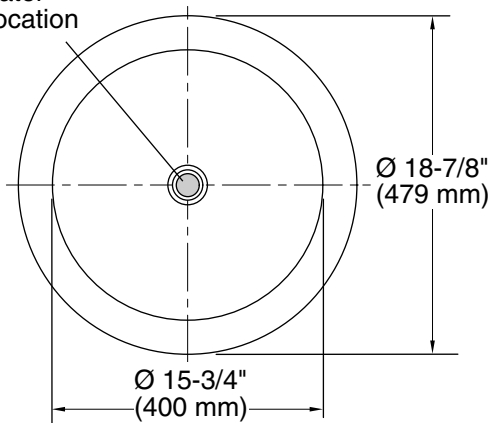
## Installation Notes

Install this product according to the installation guide.

Product does not have an overflow.

Will comply with **ADA** when installed per Section 606 Lavatories of the 2010 ADA Standards for Accessible Design.

Optimal Water Delivery Location



## Product Diagram