

**DURO
DYNE**

DynaTite

SUSPENSION SYSTEM



**PRODUCT
CATALOG**

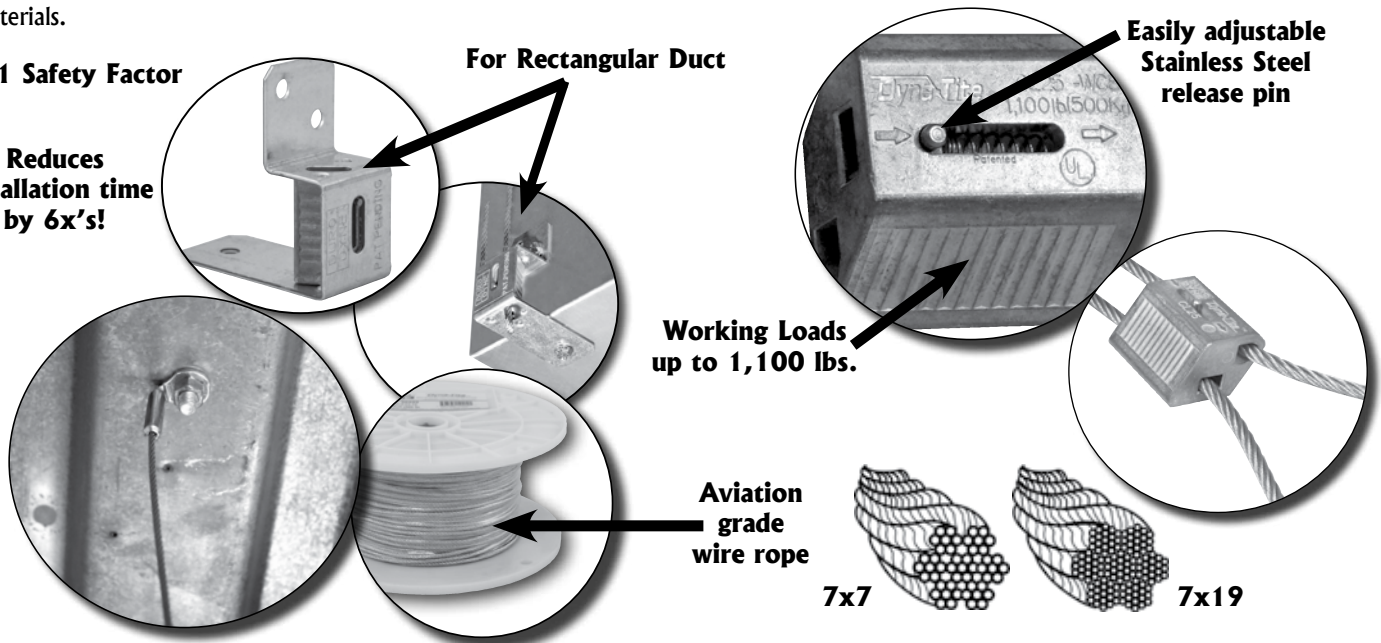


Dyna-Tite System Benefits

- Its labor saving qualities have been shown to reduce installation time by up to 6x compared to traditional threaded rod.
- It provides a fast and strong solution to the task of hanging Mechanical and HVAC Systems.
- It allows the installer to position the hangers vertically or at an angle to the suspended object. Always follow Installation Instructions. Hanging at an angle will reduce the safe working load. Please see our "Effects of Hanging at Angles" chart on page 18.
- It is lightweight and easy to carry, and combines these qualities with the inherent strength of high tensile wire rope.
- Improves safety on the job. Carrying the product on the job site is easy and, in aerial situations, it reduces accident risk caused by falling materials.

5:1 Safety Factor

Reduces installation time by 6x's!



Installation Instructions

STANDARD ASSEMBLY*

STEP 1 Pull the release pin back and thread the wire rope into one locking channel in the cable lock. Failure to pull adjustment pin first may cause damage to serrated teeth and reduce holding capacity.

STEP 2 Pass the wire rope "tail" through (or around) the anchor point (Eyehook, Beam, or Purlin).

STEP 3 Pull the second release pin back and push the wire rope tail into the second locking channel in the cable lock. Failure to pull adjustment pin first may cause damage to serrated teeth and reduce holding capacity. Push through at least 6" of the wire rope.

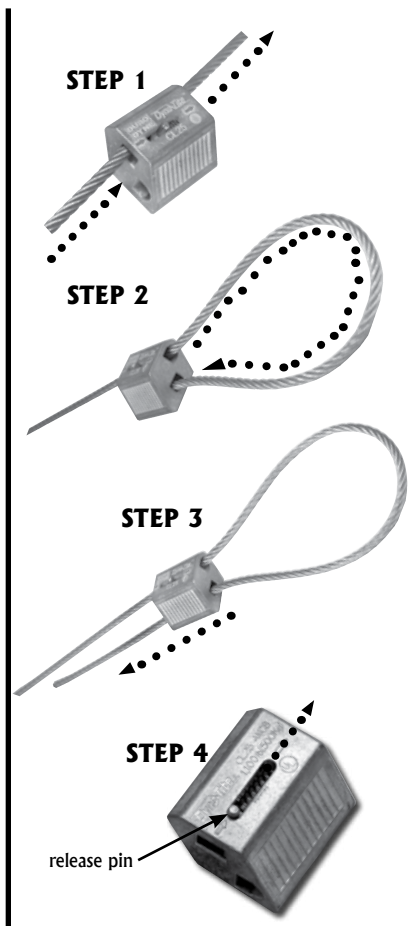
STEP 4 Prior to the load being applied, the wire rope can be adjusted in either direction by sliding the release pin and moving the wire.

ALWAYS CONFIRM ENGAGEMENT OF CABLE LOCK ON WIRE BEFORE APPLYING THE LOAD BY PUSHING THE ADJUSTMENT PIN IN THE OPPOSITE DIRECTION OF THE ARROWS ON THE CABLE LOCK AND THEN PULLING THE CABLE, ALSO IN THE OPPOSITE DIRECTION OF THE ARROWS ON THE CABLE LOCK.

Adjusting The Cable Lock

With the load off the wire rope and the Cable Lock, push the release pin in the direction of the arrow on the Cable Lock. This will release the locking pawl and allow the wire rope to be moved freely in either direction. (After a load has been applied it may be necessary to pull the cable slightly to disengage the teeth on the pawl). Be sure the load is fully supported before attempting an adjustment.

*Please note, the CL23-WC6 has 2 pass through holes. Use only the locking channels for standard assembly.



OPTIONAL FIGURE 8 ASSEMBLY (CL23-WC6 ONLY)

STEP 1 Thread the wire rope into the “through hole” in the CL23-WC6.

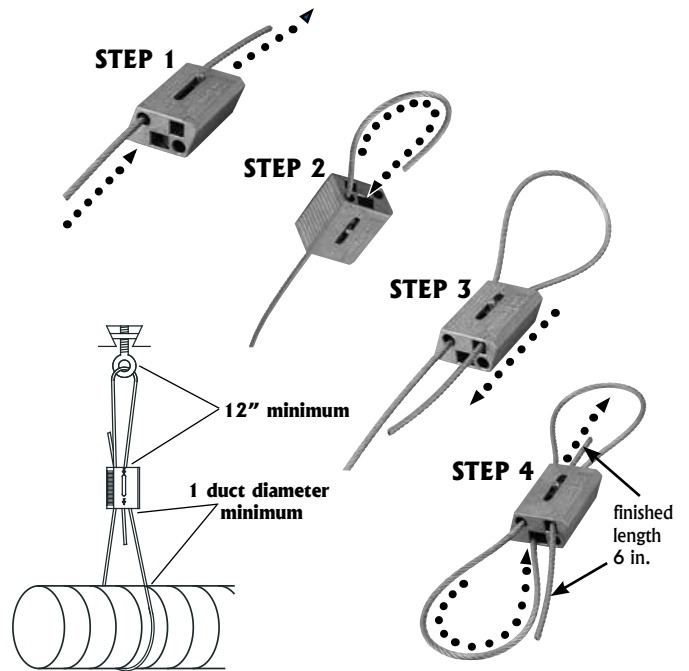
STEP 2 Pass the wire rope “tail” through (or around) the anchor point (Eyehook, Beam, or Purlin).

STEP 3 Pull the release pin back and push the wire rope tail into one locking channel in the CL23-WC6 and pull at least 6 in. of the wire rope through. Failure to pull adjustment pin first may cause damage to serrated teeth and reduce holding capacity.

STEP 4 Pass the other wire rope end through (or around) the bracket or fixture on the object to be suspended. Return the wire rope to the CL23-WC6. Pull the second release pin back and push at least 6 in. of wire rope through the remaining locking channel. Failure to pull adjustment pin first may cause damage to serrated teeth and reduce holding capacity.

ALWAYS CONFIRM ENGAGEMENT OF CABLE LOCK ON WIRE BEFORE APPLYING THE LOAD BY PUSHING THE ADJUSTMENT PIN IN THE OPPOSITE DIRECTION OF THE ARROWS ON THE CABLE LOCK AND THEN PULLING THE CABLE, ALSO IN THE OPPOSITE DIRECTION OF THE ARROWS ON THE CABLE LOCK.

For adjustment see Step 4 above in Standard Assembly.



DYNA-TITE FAST-LOCK INSTALLATION

STEP 1 Thread the wire rope through the “through hole” in the Fast-Lock. Note: The locking channel direction is opposite to the “through hole” direction (path for the wire rope).

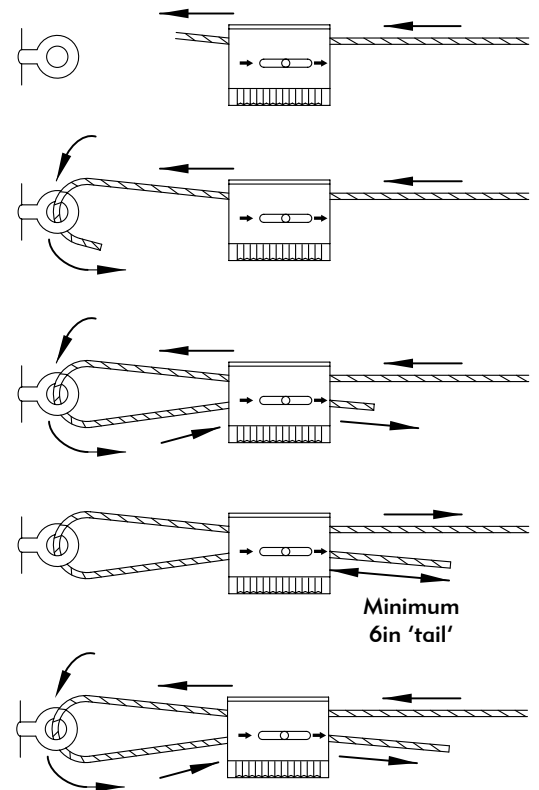
STEP 2 Pass the wire rope tail through (or around) the anchor point (eye hook, beam or purlin). Refer to SMACNA Duct Construction Standards for hangers and support selection.

STEP 3 Pull adjustment pin back and thread the wire rope into the locking channel in the Fast-Lock. Push through at least 6” of wire rope. Failure to pull adjustment pin first may cause damage to serrated teeth and reduce holding capacity.

STEP 4 Apply load to the wire rope at the entrance to the “through hole” side. ALWAYS confirm engagement of cable lock on wire before applying the load by pushing the adjustment pin in the opposite direction of the arrows on the cable lock and then pulling the cable, also in the opposite direction of the arrows on the cable lock.

STEP 5 To adjust, take the load off and pull the tail slightly to disengage teeth, then release using adjustment pin.

ALWAYS CONFIRM ENGAGEMENT OF CABLE LOCK ON WIRE BEFORE APPLYING THE LOAD BY PUSHING THE ADJUSTMENT PIN IN THE OPPOSITE DIRECTION OF THE ARROWS ON THE CABLE LOCK AND THEN PULLING THE CABLE, ALSO IN THE OPPOSITE DIRECTION OF THE ARROWS ON THE CABLE LOCK.



During installation, the lock should never be forced down closer to the duct.

Dyna-Tite Cable Locks

Patented

Dyna-Tite Cable Locks are a fast and reliable way to suspend ductwork and equipment. All cable locks are designed for use with one specific wire size and have working load ranges that incorporate a 5:1 safety factor ratio. For ease of installation Dyna-Tite cable locks feature an easy release pin for simple adjustments without the use of tools.

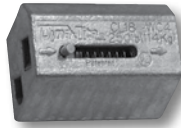
CL6-WC2



CL12-WC3



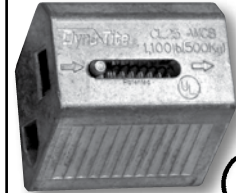
CL18-WC4



CL23-WC6



CL25-WC8



Wire Rope	Safe Working Load*
WC2-CL6	10-75 lbs. (5-34 kg)

Wire Rope	Safe Working Load*
WC3-CL12	25-150 lbs. (12-68 kg)

Wire Rope	Safe Working Load*
WC4-CL18	25-250 lbs. (12-114 kg)

Wire Rope	Safe Working Load*
WC6-CL23	50-640 lbs. (25-291 kg)

Wire Rope	Safe Working Load*
WC8-CL25	50-1,100 lbs. (25-500 kg)

Item #	Code	Description	Box Qty	Qty
30348	CL6-WC2	Cable Lock for use with WC2-CL6 Wire Rope	10	100
30351	CL12-WC3	Cable Lock for use with WC3-CL12 Wire Rope	10	100+
30354	CL18-WC4	Cable Lock for use with WC4-CL18 Wire Rope	10	100
30350	CL23-WC6	Cable Lock for use with WC6-CL23 Wire Rope	10	100
30347	CL25-WC8	Cable Lock for use with WC8-CL25 Wire Rope	N/A	50

+ CL12-WC3 is also available in bulk carton of 500 pcs. (Part #30352)

Dyna-Tite Cable Locks are also available in kits, see pages 5-6, 9.

***To ensure system integrity use only Wire Rope supplied by Duro Dyne. Hanging at angles will reduce the Safe Working Load. Please see the "Effects of Hanging at Angles" chart on page 14.**

FOR STATIC LOAD APPLICATIONS ONLY

Dyna-Tite Fast-Lock®

Dyna-Tite Fast-Locks are similar to Cable Locks, but have a single way lock instead of a double lock like Cable Locks have. All cable locks are designed for use with one specific wire size and have working load ranges that incorporate a 4:1 safety factor ratio. For ease of installation, Fast-Locks feature an easy release pin for simple adjustments without the use of tools.

On single point hang, the Fast-Lock is to be used on maximum 24" diameter single-wall round duct only. During installation, the lock should never be forced down closer to the duct. The engineered fit and function of the Fast-Lock and tests limits are to be self set by the size, weight, and application of the installation. Minimum 3" spacing between lock and duct.

FDM6-WC2



Wire Rope	Safe Working Load*
WC2-CL6	10-75 lbs. (5-34 kg)

FDM12-WC3



Wire Rope	Safe Working Load*
WC3-CL12	25-150 lbs. (12-68 kg)

FDM18-WC4



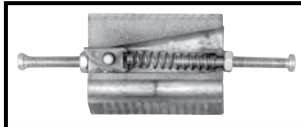
Wire Rope	Safe Working Load*
WC4-CL18	25-250 lbs. (12-114 kg)

Item #	Code	Description	Box Qty	Qty
30015	FDM6-WC2	Fast-Lock for use with WC2-CL6 Wire Rope	10	100
30016	FDM12-WC3	Fast-Lock for use with WC3-CL12 Wire Rope	10	100
30017	FDM18-WC4	Fast-Lock for use with WC4-CL18 Wire Rope	10	100

Dyna-Tite Speciality Cable Locks

Locking Cable Locks

Locking Cable Locks, like standard Cable Locks, are to be used on static load applications only. However, Locking Cable Locks should be used in instances where your static load may be struck by flying objects or experience unexpected movement. The locking bolts on the Locking Cable Locks hold the inside locking wedge in place and disable the release pin feature until the locking bolt is manually loosened.



Cutaway inside view of lock

Item #	Code	Description	Qty
30369	CL12L-WC3	Locking Cable Lock for use with WC3-CL12 Wire Rope	100
30370	CL18L-WC4	Locking Cable Lock for use with WC4-CL18 Wire Rope	100
30371	CL23L-WC6	Locking Cable Lock for use with WC6-CL23 Wire Rope	100
30372	CL25LB-WC8	Locking Cable Lock for use with WC8-CL25 Wire Rope	50

For WLL and Warnings, see cable locks on previous page.

KV Bracket Assembly Patent #7,770,849

The KV bracket assembly enhances the Dyna-Tite suspension system by the addition of an integral bracket, which fastens the cable lock to rectangular ductwork with sheet metal screws. Once the KV assembly bracket is attached to the duct, the wire rope "drop" is passed into the entry hole at the top of the bracket, through the cable lock, and out the exit hole at the bottom. The locking teeth inside the cable lock engage the wire rope and secure the ductwork in place. An accessible release pin allows for simple adjustments.



5:1 Working Load	
When used with WC2-CL6 Wire Rope: 10-75 lbs. (5-34 kg)	
When used with WC4-CL12 Wire Rope: 25-150lbs (12-68 kg)	

Item #	Code	Description	Qty
31075	KVFD	Bracket Assembly for use with WC2-CL6 or WC3-CL12 Wire Rope (see working load limits above)	100 per carton

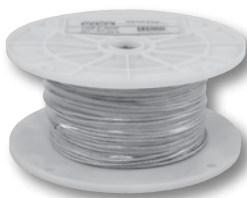
The KV Bracket must be hung at a 90 degree angle to the suspension point.



Dyna-Tite Cable

Cable Lock Wire Rope

Aviation grade galvanized wire rope supplied by Duro Dyne is manufactured to exacting standards and statistically tested to verify stated breaking strengths. Duro Dyne WC2-CL6, WC3-CL12, and WC4-CL18 wire ropes utilize standard 7x7 construction. WC8-CL25 and WC6-CL23 wire ropes have a 7x19 construction. All Duro Dyne wire rope spools have a black and yellow thread running through the center of the wire rope, to show that it is genuine Duro Dyne wire rope. Only use wire rope supplied by Duro Dyne with Dyna-Tite cable locks to ensure maximum safety and integrity of the installation.



Item #	Code	Description	Tolerance	Construction	Safe Working Load* +	Qty
30200	WC2-CL6	For use with CL6-WC2 Cable Lock	+ .010/- .005 in.	7x7	10-75 lbs. (5-34 kg)	500 ft./roll
30202	WC3-CL12	For use with CL12-WC3 Cable Lock	+ .012/- .006 in.	7x7	25-150 lbs. (12-68 kg)	500 ft./roll
30204	WC4-CL18	For use with CL18-WC4 Cable Lock	+ .014/- .007 in.	7x7	25-250 lbs. (12-114 kg)	500 ft./roll
30206	WC6-CL23	For use with CL23-WC6 Cable Lock	+ .018/- .009 in.	7x19	50-640 lbs. (25-291 kg)	250 ft./roll
30208	WC8-CL25	For use with CL25-WC8 Cable Lock	+ 5%/- 0%	7x19	50-1,100 lbs. (25-500 kg)	250 ft./roll

*Safe Working Loads are based on a 5:1 Safety Factor.

+ Hanging at angles will reduce the Safe Working Loads. Please see our 'Effects of Hanging at Angles' table on page 14.

Dyna-Tite Cable & End Fixings

Looped Cable Assembly

The Looped Cable Assembly enhances the Dyna-Tite suspension system by the addition of a pre-looped cable end. Once the wire rope is pulled around the anchor point and through the looped end of the cable, it is already secured at one end, saving time at the jobsite. The remaining wire rope "drop" is passed through a channel in the Dyna-Tite Cable Lock. Then, the wire rope is either wrapped around the ductwork or inserted through a fastening point and back up into the second channel of the same cable lock. The locking teeth inside the cable lock engage the wire rope which secures the ductwork in place.

To ensure maximum safety, use only looped wire rope supplied by Duro Dyne with Dyna-Tite cable locks.



Note: Kit includes Cable Lock



Item #	Code	Item # for Kit	Description	For Use With Cable Lock	Safe Working Load* +	Qty
30213	LC05WC2	30181	5 ft. WC2-CL6 Wire Rope	CL6-WC2	10-75 lbs. (5-34 kg)	10 bags of 10
30214	LC10WC2	30182	10 ft. WC2-CL6 Wire Rope	CL6-WC2	10-75 lbs. (5-34 kg)	10 bags of 10
30215	LC15WC2	30183	15 ft. WC2-CL6 Wire Rope	CL6-WC2	10-75 lbs. (5-34 kg)	10 bags of 10
30216	LC25WC2	30184	25 ft. WC2-CL6 Wire Rope	CL6-WC2	10-75 lbs. (5-34 kg)	5 bags of 10
30228	LC05WC3	31085	5 ft. WC3-CL12 Wire Rope	CL12-WC3	25-150 lbs. (12-68 kg)	10 bags of 10
30229	LC10WC3	31086	10 ft. WC3-CL12 Wire Rope	CL12-WC3	25-150 lbs. (12-68 kg)	10 bags of 10
30230	LC15WC3	31087	15 ft. WC3-CL12 Wire Rope	CL12-WC3	25-150 lbs. (12-68 kg)	10 bags of 10
30232	LC25WC3	31088	25 ft. WC3-CL12 Wire Rope	CL12-WC3	25-150 lbs. (12-68 kg)	5 bags of 10
•	LC30WC3	31089	30 ft. WC3-CL12 Wire Rope	CL12-WC3	25-150 lbs. (12-68 kg)	5 bags of 10
30233	LC05WC4	30193	5 ft. WC4-CL18 Wire Rope	CL18-WC4	25-250 lbs. (12-114 kg)	10 bags of 10
30234	LC10WC4	30194	10 ft. WC4-CL18 Wire Rope	CL18-WC4	25-250 lbs. (12-114 kg)	10 bags of 10
30235	LC15WC4	30195	15 ft. WC4-CL18 Wire Rope	CL18-WC4	25-250 lbs. (12-114 kg)	10 bags of 10
30237	LC25WC4	30196	25 ft. WC4-CL18 Wire Rope	CL18-WC4	25-250 lbs. (12-114 kg)	5 bags of 10
30209	LC05WC6	•	5 ft. WC6-CL23 Wire Rope	CL23-WC6	50-640 lbs. (25-291 kg)	10 bags of 10
30210	LC10WC6	•	10 ft. WC6-CL23 Wire Rope	CL23-WC6	50-640 lbs. (25-291 kg)	10 bags of 10
30211	LC15WC6	•	15 ft. WC6-CL23 Wire Rope	CL23-WC6	50-640 lbs. (25-291 kg)	10 bags of 10
30212	LC25WC6	•	25 ft. WC6-CL23 Wire Rope	CL23-WC6	50-640 lbs. (25-291 kg)	5 bags of 10
*Safe Working Loads are based on a 5:1 Safety Factor.						
+ Hanging at angles will reduce the Safe Working Loads. Please see our 'Effects of Hanging at Angles' table on pg 14.						

KV Bracket Assembly With Looped Cable Kits Patent #7,770,849

All kits include Bracket Assembly.



Item #	Code	Description	Qty
31085	LC12K05WC3/FDMK	5ft 1-1/2in Looped w/Bracket Assembly	100 kits/ctn
31086	LC12K10WC3/FDMK	10ft 1-1/2in Looped w/Bracket Assembly	100 kits/ctn
31087	LC12K15WC3/FDMK	15ft 1-1/2in Looped w/Bracket Assembly	100 kits/ctn
31088	LC12K25WC3/FDMK	25ft 1-1/2in Looped w/Bracket Assembly	50 kits/ctn

The KV Bracket must be hung at a 90 degree angle to the suspension point.

Dyna-Tite Cable & End Fixings

Dyna-Stud®

The Dyna-Stud is a heavy duty swaged threaded stud with one end of a super strong aircraft rated cable attached. The stud is threaded into the expansion anchor without putting stress on the cable. This makes for a much safer and tighter connection. The other end of the cable, in conjunction with the cable lock, is used to attach the object being supported.

1/4" Kit includes CL12-WC3 Cable Lock



3/8" Kit includes either CL12-WC3 or CL18-WC4 Cable Lock



Item #	Code	Item # for Kit	Description	For Use w/ Cable Lock [^]	Safe Working Load* +	Qty
30052	SDSA1405WC3	30377	1/4 in. Swaged Threaded Stud x 5ft WC3-CL12 Cable Assembly	CL12-WC3	25-150 lbs. (12-68 kg)	10/bag-10bg/bx
30053	SDSA1410WC3	30378	1/4 in. Swaged Threaded Stud x 10ft WC3-CL12 Cable Assembly	CL12-WC3	25-150 lbs. (12-68 kg)	10/bag-10bg/bx
30054	SDSA1415WC3	30379	1/4 in. Swaged Threaded Stud x 15ft WC3-CL12 Cable Assembly	CL12-WC3	25-150 lbs. (12-68 kg)	10/bag-10bg/bx
30055	SDSA1425WC3	30380	1/4 in. Swaged Threaded Stud x 25ft WC3-CL12 Cable Assembly	CL12-WC3	25-150 lbs. (12-68 kg)	5/bag-10bg/bx
30373	SDSA3805WC3	•	3/8 in. Swaged Threaded Stud X 5ft WC3-CL12 Cable Assembly	CL12-WC3	25-150 lbs. (12-68 kg)	10/bag-5bg/bx
30374	SDSA3810WC3	•	3/8 in. Swaged Threaded Stud X 10ft WC3-CL12 Cable Assembly	CL12-WC3	25-150 lbs. (12-68 kg)	10/bag-5bg/bx
30375	SDSA3815WC3	•	3/8 in. Swaged Threaded Stud X 15ft WC3-CL12 Cable Assembly	CL12-WC3	25-150 lbs. (12-68 kg)	10/bag-5bg/bx
30376	SDSA3825WC3	•	3/8 in. Swaged Threaded Stud X 25ft WC3-CL12 Cable Assembly	CL12-WC3	25-150 lbs. (12-68 kg)	5/bag-10bg/bx
30056	SDSA3805WC4	30381	3/8 in. Swaged Threaded Stud x 5ft WC4-CL18 Cable Assembly	CL18-WC4	25-225 lbs. (12-102 kg)	10/bag-10bg/bx
30057	SDSA3810WC4	30382	3/8 in. Swaged Threaded Stud x 10ft WC4-CL18 Cable Assembly	CL18-WC4	25-225 lbs. (12-102 kg)	10/bag-5bg/bx
30058	SDSA3815WC4	30383	3/8 in. Swaged Threaded Stud x 15ft WC4-CL18 Cable Assembly	CL18-WC4	25-225 lbs. (12-102 kg)	10/bag-5bg/bx
30059	SDSA3825WC4	30384	3/8 in. Swaged Threaded Stud x 25ft WC4-CL18 Dyna-Stud Cable Assembly	CL18-WC4	25-225 lbs. (12-102 kg)	5/bag-5bg/bx
30095	SDSA3805WC6	•	3/8 in. Swaged Threaded Stud x 5ft WC6-CL23 Cable Assembly	CL23-WC6	50-640 lbs. (25-291 kg)	10/bag-10bg/bx
30096	SDSA3810WC6	•	3/8 in. Swaged Threaded Stud x 10ft WC6-CL23 Cable Assembly	CL23-WC6	50-640 lbs. (25-291 kg)	10/bag-5bg/bx
30097	SDSA3815WC6	•	3/8 in. Swaged Threaded Stud x 15ft WC6-CL23 Cable Assembly	CL23-WC6	50-640 lbs. (25-291 kg)	10/bag-5bg/bx
30098	SDSA3825WC6	•	3/8 in. Swaged Threaded Stud x 25ft WC6-CL23 Dyna-Stud Cable Assembly	CL23-WC6	50-640 lbs. (25-291 kg)	5/bag-5bg/bx

*Safe Working Loads are based on a 5:1 Safety Factor

+ Hanging at angles will reduce the Safe Working Loads. Please see our 'Effects of Hanging at Angles' table <http://www.durodyne.com/DTTesting.php>

90° Angle Bracket with Drive Pin

The 90° Bracket with Drive Pin comes in 4 different lengths. Complete system includes looped wire and bracket with pre-assembled drive pin. It quickly and easily attaches to concrete, steel or composite metal decking.

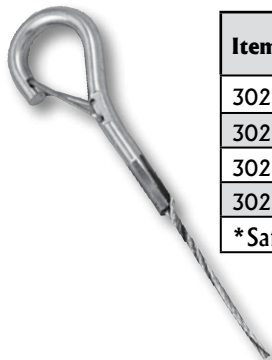


Item #	Code	Description	For Use w/ Cable Lock	Safe Working Load*	Qty
30033	DP90-05WC2	5ft WC2-CL6 Cable Assembly	CL6-WC2	10-75 lbs. (5-34 kg)	10/bag-10bg/bx
30034	DP90-10WC2	10ft WC2-CL6 Cable Assembly	CL6-WC2	10-75 lbs. (5-34 kg)	10/bag-10bg/bx
30035	DP90-15WC2	15ft WC2-CL6 Cable Assembly	CL6-WC2	10-75 lbs. (5-34 kg)	10/bag-10bg/bx
30036	DP90-25WC2	25ft WC2-CL6 Cable Assembly	CL6-WC2	10-75 lbs. (5-34 kg)	5/bag-10bg/bx

*Safe Working Loads are based on a 5:1 Safety Factor

Snap Hook

Snap hooks offer easy attachment points and are ideal for applications that require constant inspection or maintenance that may require you to remove the load from the ceiling.



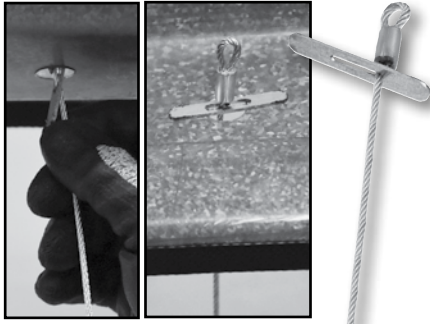
Item #	Code	Description	For Use w/ Cable Lock	Safe Working Load*	Qty
30217	SH05WC3	5 ft WC3-CL12 Cable	CL12-WC3	25-150 lbs. (12-68 kg)	10/bag-5bg/bx
30218	SH10WC3	10 ft WC3-CL12 Cable	CL12-WC3	25-150 lbs. (12-68 kg)	10/bag-5bg/bx
30219	SH15WC3	15 ft WC3-CL12 Cable	CL12-WC3	25-150 lbs. (12-68 kg)	10/bag-5bg/bx
30223	SH25WC3	25 ft WC3-CL12 Cable	CL12-WC3	25-150 lbs. (12-68 kg)	5/bag-5bg/bx

*Safe Working Loads are based on a 5:1 Safety Factor

Dyna-Tite Cable & End Fixings

Toggle

The Dyna-Tite Toggle is a quick and easy way to establish a fixed end through a drilled or punched hole in the ceiling deck. For use with CL12-WC3 Cable Lock, DSL3 Strut Lock, KV12 Bracket Assembly or any other Dyna-Tite WC3 Cable Lock. Ensure that the hole is no larger than 7/16" in diameter. For static load applications only.

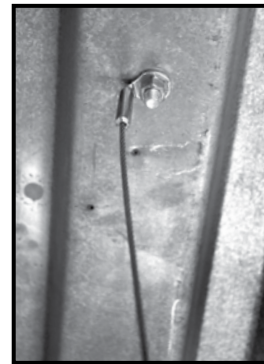


Item #	Code	Description	For Use w/ Cable Lock	Safe Working Load*	Qty
31046	ST05WC3	5 ft WC3-CL12 Cable	CL12-WC3	25-150 lbs. (12-68 kg)	10/bag-10bg/bx
31047	ST10WC3	10 ft WC3-CL12 Cable	CL12-WC3	25-150 lbs. (12-68 kg)	10/bag-10bg/bx
31048	ST15WC3	15 ft WC3-CL12 Cable	CL12-WC3	25-150 lbs. (12-68 kg)	10/bag-10bg/bx
31049	ST25WC3	25 ft WC3-CL12 Cable	CL12-WC3	25-150 lbs. (12-68 kg)	5/bag-10bg/bx

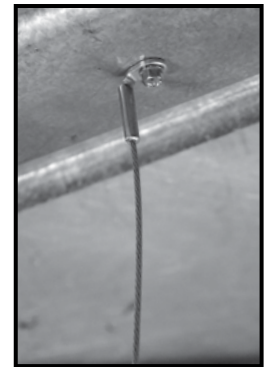
*Safe Working Loads are based on a 5:1 Safety Factor

Eyelets

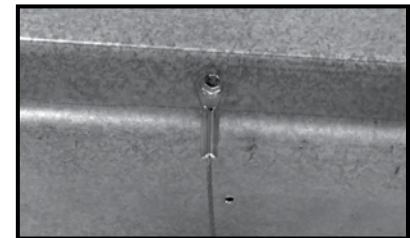
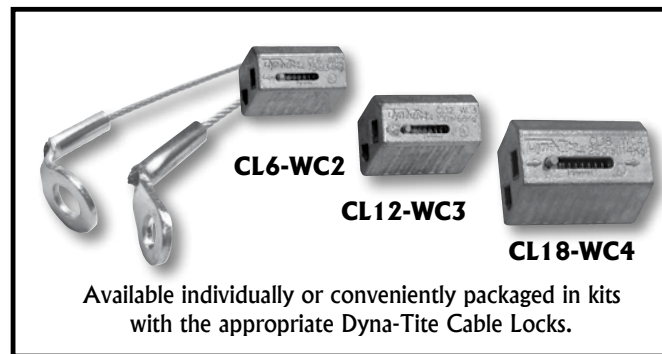
Duro Dyne Dyna-Tite eyelets are manufactured of zinc plated cold rolled steel and swaged to the wire rope cable with a hydraulic press. Dyna-Tite Eyelet assemblies are available for installation with either a 1/4 in. or 3/8 in. fastener. They are available in 45°, 90° and straight variations and can also be purchased as a kit with the appropriate cable lock.



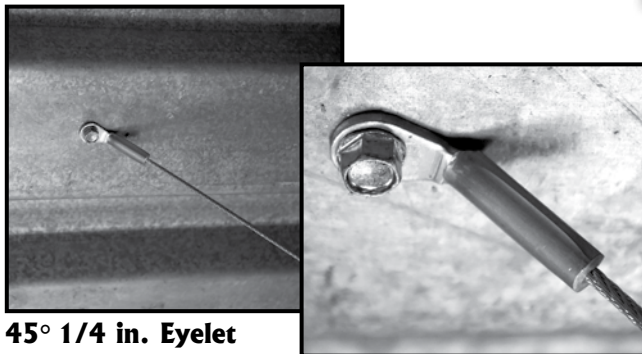
90° 3/8 in. Eyelet



90° 1/4 in. Eyelet



1/4 in. Straight Eyelet



45° 1/4 in. Eyelet

Cable Lock	Wire Rope	Safe Working Load* +
CL6-WC2	WC2-CL6	10-75 lbs.(5-34 kg)
CL12-WC3	WC3-CL12	25-150 lbs. (12-68 kg)
CL18-WC4	WC4-CL18	25-250 lbs.(12-114 kg)
CL23-WC6	WC6-CL23	50-640 lbs.(25-291 kg)
CL25-WC8	WC8-CL25	50-1,100 lbs. (25-500 kg)

*Safe Working Loads are based on a 5:1 Safety Factor.
+ Hanging at angles will reduce the Safe Working Loads. Please see our 'Effects of Hanging at Angles' table on page 14.



1/4 in. Eyelets											
	Item#	Code	Item # for Kit	Item#	Code	Item # for Kit	Item#	Code	Description	For Use With Cable Lock	Qty
5 ft.	30140	9014-05WC2	30240	30161	4514-05WC2	30288	30110	S14-05WC2	5 ft. WC2-CL6 Wire Rope	CL6-WC2	10/bag-10bg/ctn
10 ft.	30141	9014-10WC2	30241	30162	4514-10WC2	30289	30111	S14-10WC2	10 ft. WC2-CL6 Wire Rope	CL6-WC2	10/bag-10bg/ctn
15 ft.	30142	9014-15WC2	30242	•	4514-15WC2	30290	30116	S14-15WC2	15 ft. WC2-CL6 Wire Rope	CL6-WC2	10/bag-10bg/ctn
25 ft.	30143	9014-25WC2	30243	30164	4514-25WC2	30291	•	S14-25WC2	25 ft. WC2-CL6 Wire Rope	CL6-WC2	5/bag-10bg/ctn
5 ft.	30144	9014-05WC3	30244	30165	4514-05WC3	30299	30122	S14-05WC3	5 ft. WC3-CL12 Wire Rope	CL12-WC3	10/bag-10bg/ctn
10 ft.	30145	9014-10WC3	30245	30166	4514-10WC3	30300	30123	S14-10WC3	10 ft. WC3-CL12 Wire Rope	CL12-WC3	10/bag-10bg/ctn
15 ft.	30146	9014-15WC3	30246	30167	4514-15WC3	30301	30128	S14-15WC3	15 ft. WC3-CL12 Wire Rope	CL12-WC3	10/bag-10bg/ctn
25 ft.	30147	9014-25WC3	30247	30168	4514-25WC3	30303	30129	S14-25WC3	25 ft. WC3-CL12 Wire Rope	CL12-WC3	5/bag-10bg/ctn
5 ft.	30148	9014-05WC4	30263	30169	4514-05WC4	30308	Special Order		5 ft. WC4-CL18 Wire Rope	CL18-WC4	10/bag-10bg/ctn
10 ft.	30149	9014-10WC4	30264	30170	4514-10WC4	30309	Special Order		10 ft. WC4-CL18 Wire Rope	CL18-WC4	10/bag-10bg/ctn
15 ft.	30150	9014-15WC4	30265	•	4514-15WC4	30310	Special Order		15 ft. WC4-CL18 Wire Rope	CL18-WC4	10/bag-10bg/ctn
25 ft.	30151	9014-25WC4	30266	•	4514-25WC4	30311	Special Order		25 ft. WC4-CL18 Wire Rope	CL18-WC4	5/bag-10bg/ctn
3/8 in. Eyelets											
5 ft.	30152	9038-05WC3	30271	•	4538-05WC3	30319	Special Order		5 ft. WC3-CL12 Wire Rope	CL12-WC3	10/bag-10bg/ctn
10 ft.	30153	9038-10WC3	30272	30174	4538-10WC3	30320	Special Order		10 ft. WC3-CL12 Wire Rope	CL12-WC3	10/bag-10bg/ctn
15 ft.	30154	9038-15WC3	30273	30175	4538-15WC3	30321	Special Order		15 ft. WC3-CL12 Wire Rope	CL12-WC3	10/bag-10bg/ctn
25 ft.	30155	9038-25WC3	30274	30176	4538-25WC3	30322	Special Order		25 ft. WC3-CL12 Wire Rope	CL12-WC3	5/bag-10bg/ctn
5 ft.	30157	9038-05WC4	30279	30177	4538-05WC4	30329	Special Order		5 ft. WC4-CL18 Wire Rope	CL18-WC4	10/bag-10bg/ctn
10 ft.	30158	9038-10WC4	30280	•	4538-10WC4	30331	Special Order		10 ft. WC4-CL18 Wire Rope	CL18-WC4	10/bag-10bg/ctn
15 ft.	30159	9038-15WC4	30281	30179	4538-15WC4	30332	Special Order		15 ft. WC4-CL18 Wire Rope	CL18-WC4	10/bag-10bg/ctn
25 ft.	30160	9038-25WC4	•	30180	4538-25WC4	30333	Special Order		25 ft. WC4-CL18 Wire Rope	CL18-WC4	5/bag-10bg/ctn

See previous page for Safe Working Loads.

Dyna-Tite Kits

Starter Kits

The Starter Kit has everything you need to begin hanging ductwork or equipment.



INCLUDES:

- 1 Roll of Wire Rope
- 100 Cable Locks
- 1 Custom Cable Counter Lid (Metric available upon request) and Bucket
- 1 Cable Cutter

Item #	Code	Description	Safe Working Load* +
30394	CL12WC3SK	CL12-WC3 Starter Kit - with WC3-CL12 Wire Rope	25-150 lbs. (12-68 kg)
30393	CL18WC4SK	CL18-WC4 Starter Kit - with WC4-CL18 Wire Rope	25-250 lbs. (12-114 kg)
*Safe Working Loads are based on a 5:1 Safety Factor.			
+ Hanging at angles will reduce the Safe Working Loads. Please see our 'Effects of Hanging at Angles' table on page 14.			

Dyna-Tite Accessories

Custom Cable Counter

The CCC1 makes preparing for your duct hanging project a lot simpler. Take an empty five gallon bucket, put a spool of wire rope in the bottom, put in some boxes of Dyna-Tite cable locks and a cable cutter. Place the CCC1 on top of the bucket and you are ready for the job site. At the job site remove the cable lock boxes and the wire cutter, thread the wire rope through the CCC1 measuring device and you are ready to hang ductwork. Just pull the wire rope to the length needed, cut it and reset the counter.

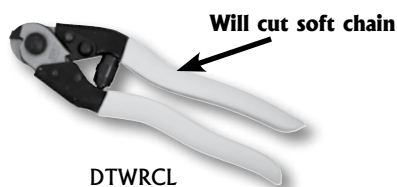


- Counter displays from 0 feet 0 in. to 9999 feet and 11 in.
- Push Button Reset
- Designed For Use With Duro Dyne Wire Rope
- Fits most 5 gallon buckets

Item #	Code	Description	Qty
30390	CCC1	Custom Cable Counter	1

Cable Cutters

When cutting wire cable it is important to use a recognized wire cable cutter such as the Duro Dyne cutters detailed here. This will ensure that the form of the rope is maintained prior to insertion in the Dyna-Tite Cable Lock.



DTWRCL



DTRWC14

DTWRCL Features:

- Spring Loaded for ease of use
- For WC2-CL6, WC3-CL12, WC4-CL18 and WC6-CL23 Wire Rope and Dyna-Chain
- Will cut soft chain
- Hardened Steel Blades For Durability
- Vinyl Coated Handles For Comfortable, Non-Slip Grip

DTRWC14 Features:

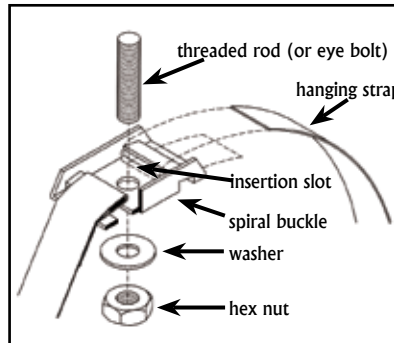
- For WC6-CL2 and WC8-CL25 Wire Rope and Dyna-Chain
- Hardened Steel Blades For Durability
- Vinyl Coated Handles For Comfortable, Non-Slip Grip

Item #	Code	Description	Qty
818263	DTWRCL	Cable Cutter	1
30344	DTRWC14	Hand Held WC8-CL25 Wire Rope Cutter	1

Dyna-Tite Accessories

Spiral Buckle

The zinc plated 14 gauge Spiral Buckle is designed to suspend round and oval ductwork from ceiling joists or beams with the use of threaded rod up to 3/8 in. diameter. Simply place 1 in. hanging strap in one side of the buckle then around the material and into the other side of the buckle. When the strap is correctly inserted through the slots, the strap is locked into the buckle by the weight of the duct.



Spiral Buckle with threaded rod



Spiral Buckle with eye bolt and the Dyna-Tite Wire Rope Suspension System

Item #	Code	Description	Qty
30340	DSB1	Dyna-Tite Spiral Buckle	50/box

Eye Bolt & Nut

A simple way to provide an anchor point is by using an eye bolt and nut. The eye bolt has a 3/4 in. inside diameter ring to make wire rope attachment easy. Weight limit of 400 lbs.



Item #	Code	Description	Qty
30220	DDG3W	Eye Bolt & Nut (3/8 in.-16 x 2-1/2 in.)	100/Box

Dyna-Chain™



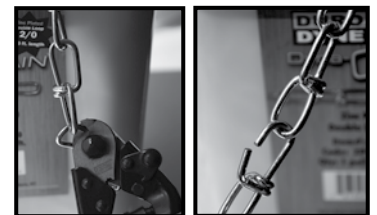
Dyna-Chain is a Zinc Plated Double Loop 2/0 chain. This is a steel constructed economical utility chain. It has a 255 lb working load limit ideal for hanging lightweight equipment and lighting. Often used by contractors as a theft deterrent for locking ladders and job boxes, the applications are virtually endless! It is sold in a convenient bucket to make use on the job site easier, with a scored top for easing opening and built in loop to keep track of the end of the chain.



Easy cut lid

- Sold 300 ft per pail
- Cut Dyna-Chain with Duro Dyne Cable Cutter
- Applications: Industrial, Mechanical, Residential, Commercial, and Electrical

Item #	Code	Description	Qty
30027	ZPC2/0-300	Dyna-Chain Zinc Plated Double Loop 2/0	300ft/pail



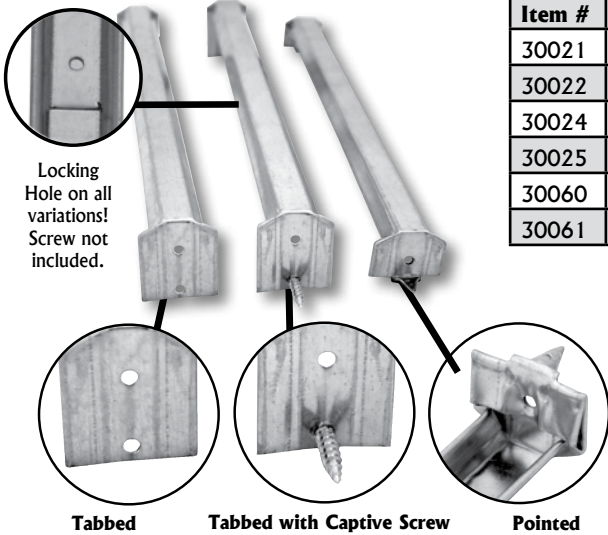
Cut with Duro Dyne Cable Cutter DTWRCL or DTRWC14

Dyna-Tite Accessories

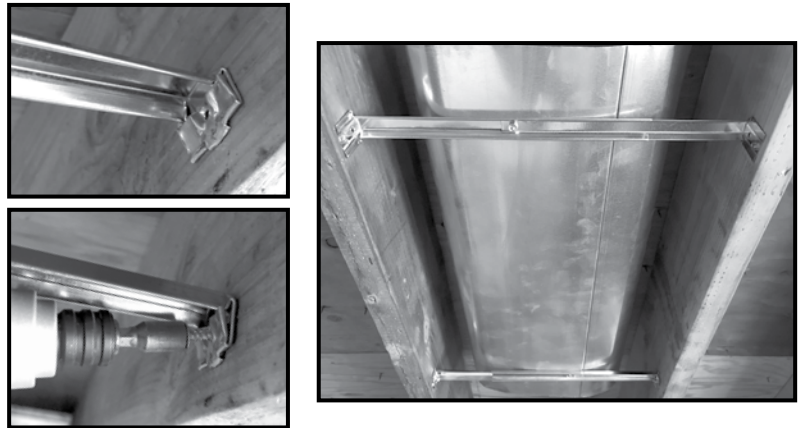
Rapit® Duct Support Hanger

The Rapit Duct Support Hanger from Duro Dyne is manufactured with a durable body design in 26/28 gauge steel to support a high load rating. The precise angles create a smooth telescoping action. Telescoping allows for widths of 11 to 19" or 18 to 33" in tabbed and pointed styles. The Rapit 'Point' Duct Support style features a 18 gauge self-nailing tip that is an integral part of the bracket, not spot welded on. It penetrates dense wood easily. The Rapit 'Tabbed' style is offered with or without a captive screw.

- All feature a pre-drilled mounting hole to immobilize the telescoping and secure the bracket to duct.



Item #	Code	Description	Qty
30021	RPH19	Rapit Point Duct Support Hanger Expandable 11"-19"	50/Ctn
30022	RPH33	Rapit Point Duct Support Hanger Expandable 18"-33"	50/Ctn
30024	RTH19	Rapit Tabbed Duct Support Hanger Expandable 11"-19"	50/Ctn
30025	RTH33	Rapit Tabbed Duct Support Hanger Expandable 18"-33"	50/Ctn
30060	RTHS19	Rapit Tabbed Duct Support Hanger w/ Screw Expandable 11"-19"	50/Ctn
30061	RTHS33	Rapit Tabbed Duct Support Hanger w/ Screw Expandable 18"-33"	50/Ctn



Rapit® Drop-In Deck Hanger

The Rapit Drop-In Deck Hanger is designed for installation in concrete-filled metal deck assemblies. RDI Deck Hangers are installed before pouring the concrete, to reduce installation costs and increase strength values. Once installed, the insert hangs below the deck surface for easy installation of threaded rod or Dyna-Studs.

Item #	Code	Description	Qty
30339	RDI38	3/8 in Rapit® Drop-In Deck Hanger	50/Box



Top View (Before Concrete pour)



Bottom View



3/8" Threaded Rod



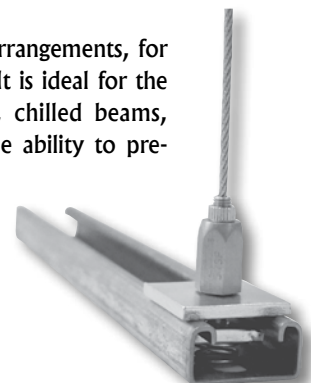
3/8" Dyna-Stud

Strut Lock Assembly

The Strut Lock Assembly is a fast, lockable solution for installing Dyn-O-Strut in single and multi-tiered arrangements, for HVAC and cable management. It is ideal for the suspension of rectangular duct, chilled beams, cable tray, unit heaters, etc. The ability to pre-fit the assembly into the strut channel on the ground, allows for minimal time working at heights. A threaded release cylinder allows for time saving height adjustment.

Item #	Code	Description	Safe Working Load*	Qty
30079	DSL2	Strut Lock Assembly for use with WC2 Wire Rope	10-75 lbs.(5-34 kg)	100/Box
30080	DSL3	Strut Lock Assembly for use with WC3 Wire Rope	25-150 lbs. (12-68 kg)	100/Box
30081	DSL4	Strut Lock Assembly for use with WC4 Wire Rope	25-250 lbs.(12-114 kg)	100/Box

*Safe Working Loads are based on a 4:1 Safety Factor

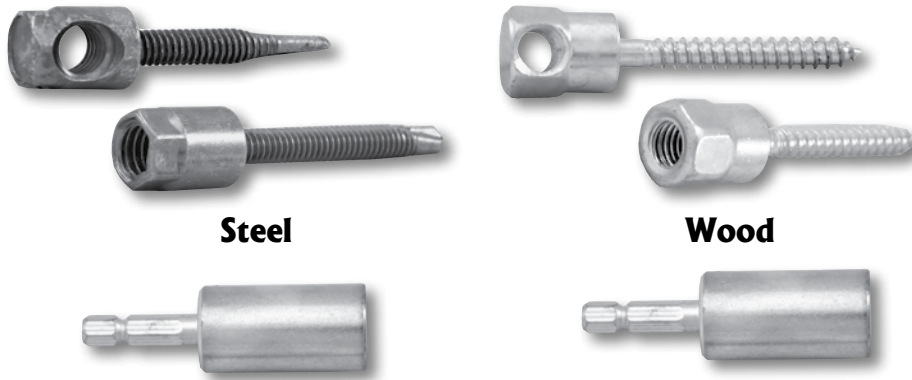


Dyna-Tite Accessories

Quik-Twists™

Quik-Twists from Duro Dyne are side or vertical mounted fasteners that provide attachment points for steel threaded rods and other assemblies. There are two variations of Quik-Twists; one for penetrating and threading into steel and one for wood. Each Quik-Twist has a 3/8 in. - 16 threaded hole in the fastener's hex shaped head. Side mounted Quik-Twists have the threaded hole perpendicular to the fastener shaft and passing completely through the fastener head. Vertical mounted Quik-Twists have the threaded hole parallel to the fastener shaft and as deep as the fastener head.

- No pilot hole is needed
- All fasteners are zinc plated for corrosion resistance
- Chucks sold separately for easy installation



Item #	Code	Description	Qty
30224	SHW38-25	3/8 in. x 2 in. Wood Side Quik-Twist	25/Ctn.
30226	VHW38-25	3/8 in. x 2 in. Wood Vertical Quik-Twist	25/Ctn.
30225	SHS38-25	3/8 in. x 1-1/2 in. Steel Hanger Sidewinder	25/Ctn.
30227	VHS38-25	3/8 in. x 2 in. Steel Vertical Quik-Twist - drills 20 ga - 3/16 in. thick steel	25/Ctn.

Additional shank lengths and threaded hole sizes available upon request.

Quik-Twist Accessories

Item #	Code	Description	Qty
30255	DI38T	3/8 in. Drop In Anchor Set Tool	10/Ctn.
30256	DI38D	3/8 in. Drop In Anchor Drill Bit	10/Ctn.
30257	SWR	Driver for Wood only	5/Ctn.
30239	CDS	Driver for Steel Only	5/Ctn.
30258	DI38	3/8 in. Drop In Anchor	50/Ctn.
30259	DI14	1/4 in. Drop In Anchor	50/Ctn.
30260	DI14T	1/4 in. Drop In Anchor Set Tool	10/Ctn.

Testing

All Dyna-Tites have been independently tested to five times their allowable working load by one or more of the following independent laboratories:

RADCO Inc, Long Beach CA
New York Testing Laboratories

SMACNA Testing and Research Institute

CL6-WC2, CL12-WC3, CL18-WC4, CL23-WC6 & CL25-WC8 have been tested to meet UL 1598.



Warnings

As a matter of sound engineering practice, the Dyna-Tite assembly must be located no closer than 12 in. to the suspension point (as illustrated on page 4). In the case of round duct, where the wire rope encircles the duct, the Dyna-Tite must be located the distance of one diameter from the duct wall. Adherence to these minimum clearances will distribute the load the most efficiently among all duct hanging components.

ALWAYS FOLLOW THE INSTALLATION INSTRUCTIONS BELOW.

There are many variables to be considered when installing Dyna-Tite cables and affixing them to upper attachments. The contractor is solely responsible for selecting the appropriate Dyna-Tite product for the specific circumstances of each installation. The contractor must select the appropriate Dyna-Tite product that meets the approval of the mechanical engineer and complies with all applicable codes and job specifications.

FOR STATIC LOAD APPLICATIONS ONLY

- **FOR STATIC LOAD APPLICATIONS ONLY**
- **ALWAYS CONFIRM ENGAGEMENT OF CABLE LOCK ON WIRE BEFORE APPLYING THE LOAD:** By pushing the adjustment pin in the opposite direction of the arrows on the cable lock and then pulling the cable also in the opposite direction of the arrows on the cable lock.
- **PULL ADJUSTMENT PIN BACK AND PASS WIRE ROPE THROUGH DYNA-TITE CABLE LOCK:** Failure to pull adjustment pin first may cause damage to serrated teeth and reduce holding capacity.
- **TO ENSURE HANGING SYSTEM INTEGRITY AND SAFETY:** Use only Duro Dyne wire rope.
- **WORKING LOAD LIMIT (WLL) MUST FALL WITHIN THE STATED WORKING LOAD RANGE OF THE CABLE LOCK:** Each product is load rated and incorporates a minimum safety factor of 5:1. This WLL takes into account the specification criteria of the Dyna-Tite Cable Lock and the wire rope.
- **DO NOT USE ON COATED WIRE ROPE:** It is important to maintain the metal to metal contact between the locking pawls in the Dyna-Tite and the wire rope.
- **SPRAY PAINTING:** of the Dyna-Tite Cable Hanging System after installation is acceptable, at the installing contractor's discretion, if the installing contractor physically confirms engagement of each cable lock on the cable prior to and after painting, and in strict accordance with the Dyna-Tite Installation Instructions. Brush painting is not acceptable. Do not paint Cable or Cable Lock prior to installation. Do not reposition Cable Lock after painting.
- **DO NOT APPLY LUBRICANT:** to any part of the assembly as this will alter the surface nature of the wire rope and attract dirt and debris.
- **DO NOT USE FOR LIFTING:** (UNDER HOOK SLINGS) This product is designed for static load applications only.
- **KEEP THE PRODUCT CLEAN AND FREE FROM DIRT:** Any dirt should be removed from the product prior to assembly.
- **INSPECT PERIODICALLY:** Upon inspection, discard and replace if worn, distorted, or damaged.
- **REMOVE DAMAGED WIRE ENDS:** Using a designated pair of wire rope cutters prior to inserting into the Dyna-Tite Cable Lock.
- **WHEN INSTALLING DURO DYNE DYNA-TITE CABLE ATTACHMENTS:** to buildings or equipment careful consideration must be made to the attachment method and the material being attached to. It is the responsibility of the installer for the proper selection, installation and appropriateness of the attachment to the job specifications and any codes. Duro Dyne can give general guidance, but any questions regarding this should ultimately be directed to the project engineer of the job.
- **FOR DRY LOCATIONS ONLY**
- **DO NOT USE IN CHLORINATED ATMOSPHERES SUCH AS POOLS AND NATATORIUM**
- **GYMNASIUM INSTALLS MUST BE USING LOCKING CABLE LOCKS ONLY**

Effects of Hanging at Angles

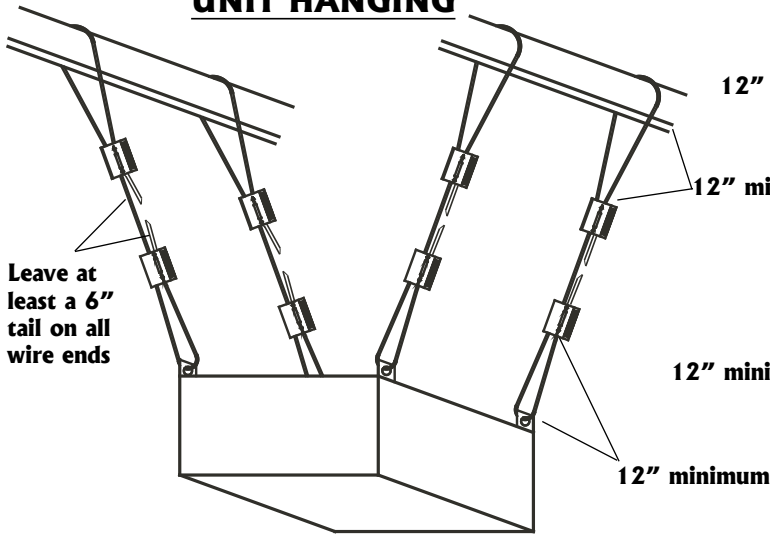
Cable locks can be used to suspend objects safely at angles of up to 60 degrees from the vertical. However, suspension at angles does reduce the safe working load per the table below.

Size	Vertical	15°	30°	45°	60°
WC8-CL25 Wire Rope	1,100 lbs	1,060 lbs	950 lbs	775 lbs	550 lbs
WC6-CL23 Wire Rope	640 lbs	625 lbs	559 lbs	455 lbs	325 lbs
WC4-CL18 Wire Rope	250 lbs	240 lbs	215 lbs	175 lbs	125 lbs
WC3-CL12 Wire Rope	150 lbs	144 lbs	129 lbs	105 lbs	75 lbs
WC2-CL6 Wire Rope	75 lbs	72 lbs	64.5 lbs	52.5 lbs	37.5 lbs
Load	100%	96%	86%	70%	50%

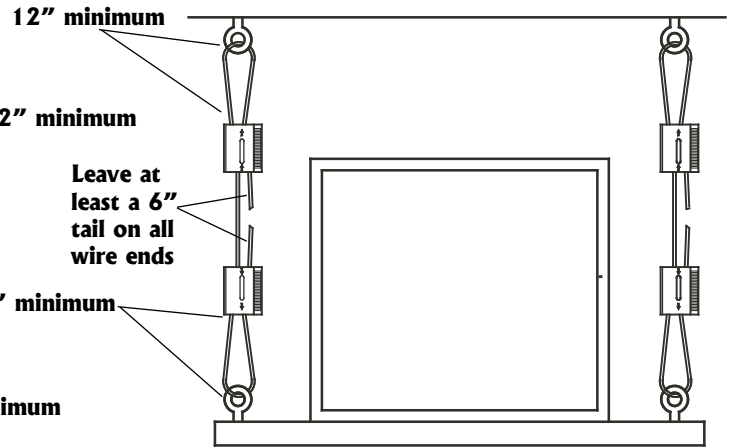
Applications

Dyna-Tite cable locks and wire rope can be used for suspension in a variety of ways to accommodate most mechanical and HVAC construction applications.

UNIT HANGING



RECTANGULAR DUCT WORK



SPIRAL DUCT WORK

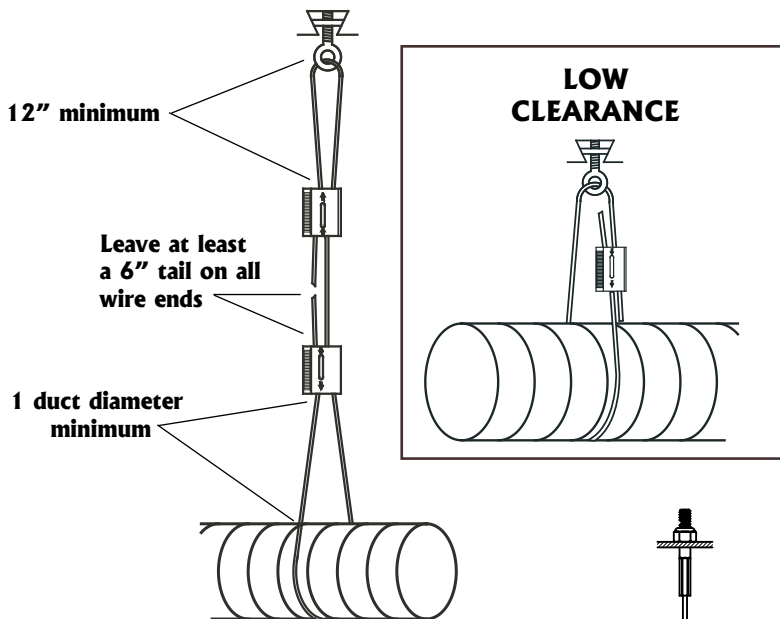
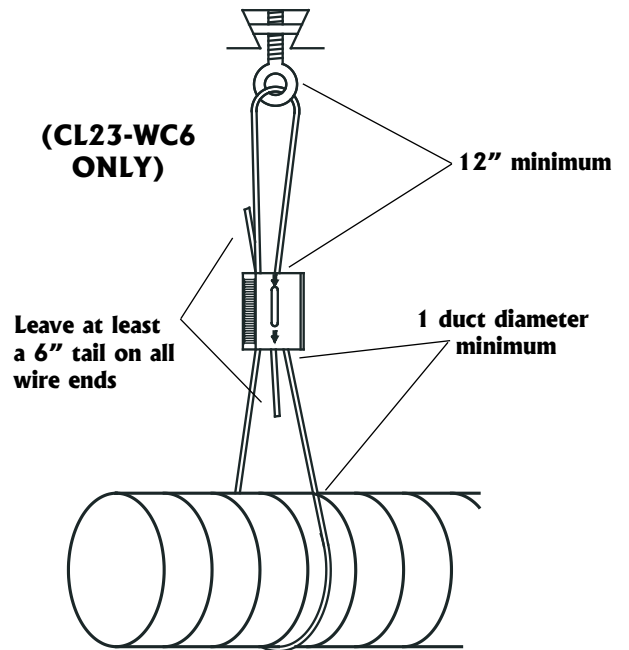
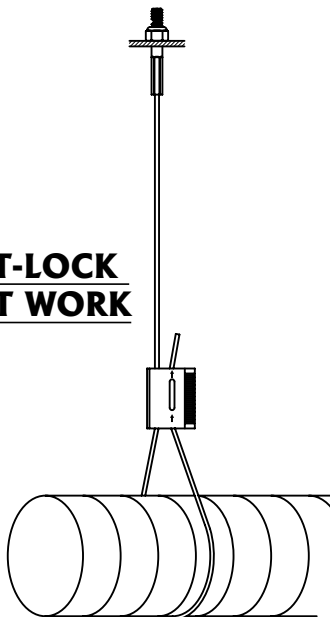


FIGURE 8 (CL23-WC6 ONLY)



DYNA-TITE FAST-LOCK ON SPIRAL DUCT WORK



Please Visit Our Website
www.durodyne.com
for the most current product information.



2/18/2022
BD030405

Duro Dyne Corporate Headquarters, Bay Shore, NY
631-249-9000 • Fax: 631-249-8346
Duro Dyne Midwest • Duro Dyne West • Duro Dyne Canada
www.durodyne.com • E-mail: durodyne@durodyne.com