

ApolloPress 45° street elbow (P x FTG)



group: 806-2 **category:** fittingen **product line:** Apollo ApolloPress

The ApolloPress® 806-2 Small Diameter Press 45° Street Elbow features a lead free dezincification resistant copper body and an EPDM o-ring. ApolloPress® products are manufactured utilizing proven ASTM materials and standards.

- Lead Free Construction
- Leak Before Press® Technology

applications

potable water, heating, cooling, compressed air, vacuum, steam, sprinkler

segments

industry , fire protection , utility

approvals

IAPMO/ANSI/CAN Z1117 , ICC LC1002 , CRN , FM , UL , ULc , NSF/ANSI 372 , NSF/ANSI 61

assortment

code	size	weight	dimensions	packaging	gtin + upc
10075054	1/2"	0.09 lb	1.89x2.60x0.95 "	-	00683264750548
10075056	3/4"	0.15 lb	2.25x2.96x1.24 "	-	00683264750562
10075058	1"	0.24 lb	2.33x3.23x1.49 "	-	00683264750586
10075084	1 1/4"	0.37 lb	2.55x3.61x1.75 "	-	00683264750845
10075086	1 1/2"	0.59 lb	3.06x4.09x2.11 "	-	00683264750869
10075088	2"	1.05 lb	3.95x5.29x2.55 "	-	00683264750883

specifications - product Info

article	ApolloPress 45° street elbow (P x FTG)
article number with gtin	806-2
manufacturer	Aalberts integrated piping systems Americas, Inc. (Apollo)
weight	1.05 lb
dimensions	3.95x5.29x2.55 "

specifications - characteristics

color	copper
materials	copper (CW024A (UNS C12200))
finishing	none
shape	Elbow, 45°
connection type	press (V), tube end
sealing	EPDM

specifications - technical

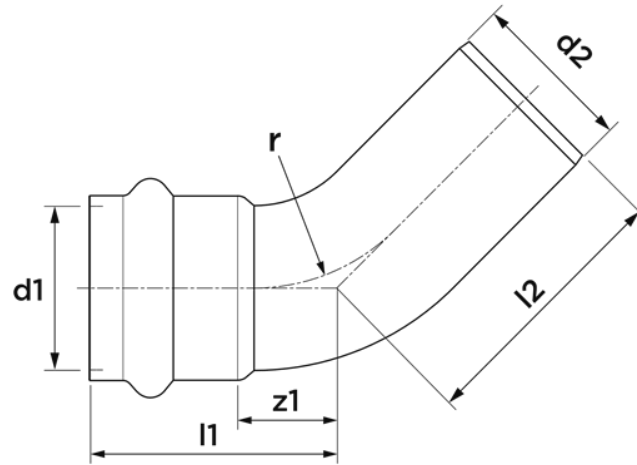
max operating pressure liquid	300 psi
min. medium temperature	32 °F
max medium temperature	250 °F

specifications - general

product group	fittings (accessories (fittings))
ETIM class	EC003024 Fitting with 2 connections
country of origin	United States
brand	Apollo
series	ApolloPress
product type	806-2
unspis	40172812

dimensions

code	size	d1	DN1	l1	z1	d2	DN2	l2	z2	radius	angle
10075054	1/2"	0.64	-	1.19	0.43	0.63	-	1.69	0.69	0.75	-
10075056	3/4"	0.88	-	1.33	0.41	0.88	-	1.88	-	1.05	-
10075058	1"	1.14	-	1.37	0.47	1.25	-	1.49	-	1.35	-
10075084	1 1/4"	1.39	-	1.71	0.68	1.38	-	1.78	-	1.65	-
10075086	1 1/2"	1.64	-	2.31	0.84	1.63	-	2.71	-	1.95	-
10075088	2"	2.15	-	2.64	1.06	2.12	-	2.71	-	2.55	-



downloads

[806-2 - jpg](#)

[ApolloPress Catalog - pdf](#)

[Diagram - png](#)

[ApolloPress Brochure - pdf](#)