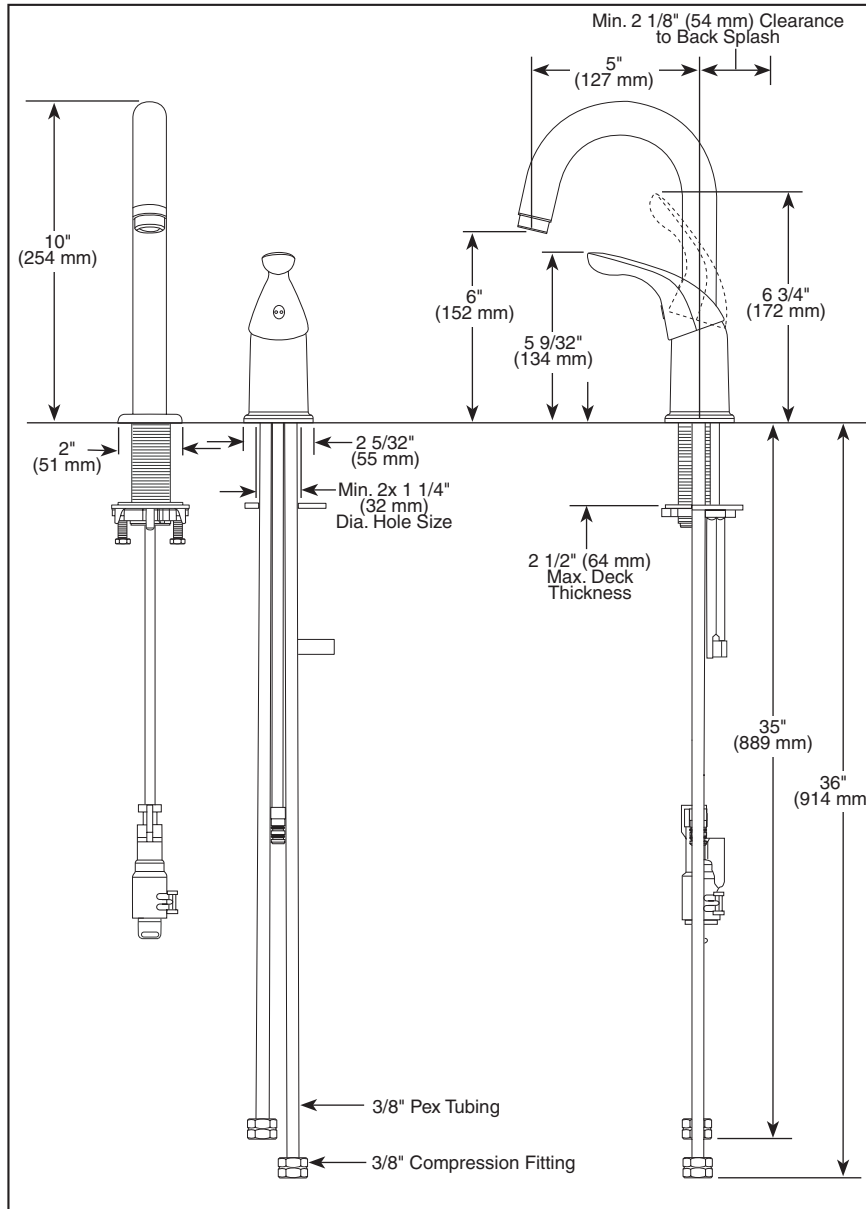


Submitted Model No.: \_\_\_\_\_

Specific Features: \_\_\_\_\_



▲ Designate proper finish suffix



## BAR & PREP SINK FAUCETS

- Classic Series
- Single Handle Widespread Deck Mount
- Two Hole Sink Applications
- Pex® Hose Installation

### STANDARD SPECIFICATIONS:

- Solid fabricated brass body.
- 5" (127 mm) long, 10" (254 mm) high spout swings 180°.
- Lever handle shall return to neutral position when faucet is turned off.
- Red and blue button on handle to indicate hot/cold temperature.
- Control mechanism shall be the diamond coated ceramic cartridge.
- Pex® hose installation.
- 3/8" O.D. straight, staggered pex supply tubes - 35" (889 mm) and 36" (914 mm) long - with 3/8" compression fittings.
- Thick deck mounting kit for 3 1/2" (89 mm) max. deck thickness available as RP37775.
- Max. 1.5 gpm @ 60 PSI, 5.7 L/min @ 414 kPa

### WARRANTY

- Lifetime limited warranty on parts (other than electronic parts and batteries) and finishes: or, for commercial users, for 5 years from date of purchase.
- 5 year limited warranty on electronic parts (other than batteries); or, for commercial users, for 1 year from the date of purchase. No warranty is provided on batteries.

### COMPLIES WITH:

- ASME A112.18.1 / CSA B125.1
- ASME A112.18.6
- Indicates compliance to ICC/ANSI A117.1
- Verified compliant with .25% weighted average Pb content regulations.

Delta reserves the right (1) to make changes in specifications and materials, and (2) to change or discontinue models, both without notice or obligation. Dimensions are for reference only. See current full-line price book or [www.deltafaucet.com](http://www.deltafaucet.com) for finish options and product availability.

DSP-K-1903-DST Rev. E



55 E. 111th Street, Indianapolis, Indiana 46280  
 350 South Edgeware Road, St. Thomas, ON N5P 4L1  
 © 2015 Masco Corporation of Indiana